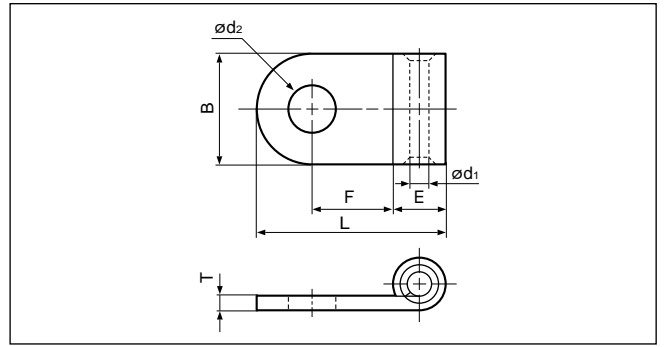


Solderless terminals



**FLAG**



Certificate No.: E42024 LR20812

| Applicable Wire<br>AWG# (mm <sup>2</sup> ) | Stud size |        | Part No.  | Standard | Dimensions mm (in.) |             |             |             |                |                |               | Tool No. |         |         |       |        |      | Qty/box |      |       |      |                      |  |  |
|--|-----------|--------|-----------|----------|---------------------|-------------|-------------|-------------|----------------|----------------|---------------|----------|---------|---------|-------|--------|------|---------|------|-------|------|----------------------|--|--|
|  | American  | Metric |           |          | $\phi d_2$          | B           | L           | F           | E              | $\phi d_1$     | T             | YG-2216  | YG-1614 | YG-1210 | YG-8S | YG-14S | YA-1 |         | YA-2 | YA-4  | YA-5 | VF-1, E-4, +, YG-100 |  |  |
|  |           |        |           |          |                     |             |             |             |                |                |               |          |         |         |       |        |      |         |      |       |      |                      |  |  |
| 22 to 16<br>(0.25 to 1.65)                 | 8         | 4      | FG1.25-S4 |          | 4.3 (.169)          | 8.0 (.315)  | 14.3 (.563) | 7.0 (.276)  | 3.4            | 1.7            | 0.8           | 0        |         |         |       | 0      | 0    | 0       |      | 1,000 |      |                      |  |  |
|  | 10        | 5      | FG1.25-S5 |          | 5.3 (.209)          | 8.0 (.315)  | 14.3 (.563) | 7.0 (.276)  | (.134)         | (.067)         | (.031)        |          |         |         |       |        |      |         |      |       |      |                      |  |  |
| 16 to 14<br>(1.04 to 2.63)                 | 8         | 4      | FG2-4     |          | 4.3 (.169)          | 9.6 (.378)  | 16.2 (.638) | 7.4 (.291)  | 4.1            | 2.3            | 0.8           | 0        |         |         |       | 0      | 0    | 0       |      | 500   |      |                      |  |  |
|  | 10        | 5      | FG2-5     |          | 5.3 (.209)          | 9.6 (.378)  | 16.2 (.638) | 7.4 (.291)  | (.161)         | (.091)         | (.031)        |          |         |         |       |        |      |         |      |       |      |                      |  |  |
| 12 to 10<br>(2.63 to 6.64)                 | 5-6       | 3.5    | FG5.5-3.5 |          | 3.7 (.146)          | 9.6 (.378)  | 17.8 (.701) | 7.4 (.291)  | 5.6<br>(.220)  | 3.4<br>(.134)  | 1.0<br>(.039) |          | 0       |         |       | 0      | 0    | 0       |      | 500   |      |                      |  |  |
|  | 8         | 4      | FG5.5-4   |          | 4.3 (.169)          | 9.6 (.378)  | 17.8 (.701) | 7.4 (.291)  |                |                |               |          |         |         |       |        |      |         |      |       |      |                      |  |  |
|  | 10        | 5      | FG5.5-5   |          | 5.3 (.209)          | 9.6 (.378)  | 17.8 (.701) | 7.4 (.291)  |                |                |               |          |         |         |       |        |      |         |      |       |      |                      |  |  |
| 8<br>(6.64 to 10.52)                       | 10        | 5      | FG8-5     |          | 5.3 (.209)          | 12.6 (.496) | 23.0 (.906) | 9.5 (.374)  | 7.1<br>(.280)  | 4.5<br>(.177)  | 1.2<br>(.047) |          | 0       |         |       |        | 0    | 0       | 0    | 250   |      |                      |  |  |
|  | 1/4       | 6      | FG8-6     |          | 6.4 (.252)          | 12.6 (.496) | 23.0 (.906) | 9.5 (.374)  |                |                |               |          |         |         |       |        |      |         |      |       |      |                      |  |  |
|  | 5-16      | 8      | FG8-8     |          | 8.4 (.331)          | 15.5 (.610) | 28.5(1.122) | 13.6 (.535) |                |                |               |          |         |         |       |        |      |         |      |       |      |                      |  |  |
| 6<br>(10.52 to 16.78)                      | 10        | 5      | FG14-5    |          | 5.3 (.209)          | 12.6 (.496) | 25.0 (.984) | 9.7 (.382)  | 9.0<br>(.354)  | 5.8<br>(.228)  | 1.5<br>(.059) |          |         |         | 0     |        | 0    | 0       | 0    | 200   |      |                      |  |  |
|  | 1/4       | 6      | FG14-6    |          | 6.4 (.252)          | 12.6 (.496) | 25.0 (.984) | 9.7 (.382)  |                |                |               |          |         |         |       |        |      |         |      |       |      |                      |  |  |
| 4<br>(16.78 to 26.66)                      | 10        | 5      | FG22-5    |          | 5.3 (.209)          | 14.0 (.551) | 28.0(1.102) | 9.6 (.378)  | 11.5<br>(.453) | 7.7<br>(.303)  | 1.8<br>(.071) |          |         |         |       |        |      | 0       | 0    | 100   |      |                      |  |  |
|  | 1/4       | 6      | FG22-6    |          | 6.4 (.252)          | 14.0 (.551) | 28.0(1.102) | 9.6 (.378)  |                |                |               |          |         |         |       |        |      |         |      |       |      |                      |  |  |
|  | 5/16      | 8      | FG22-8    |          | 8.4 (.331)          | 17.5 (.689) | 34.0(1.339) | 13.8 (.543) |                |                |               |          |         |         |       |        |      |         |      |       |      |                      |  |  |
| 2<br>(26.66 to 42.42)                      | 1/4       | 6      | FG38-6    |          | 6.4 (.252)          | 18.2 (.717) | 36.0(1.417) | 13.6 (.535) | 13.3<br>(.524) | 9.4<br>(.370)  | 1.8<br>(.071) |          |         |         |       |        |      | 0       | 0    | 100   |      |                      |  |  |
|  | 5/16      | 8      | FG38-8    |          | 8.4 (.331)          | 18.2 (.717) | 36.0(1.417) | 13.6 (.535) |                |                |               |          |         |         |       |        |      |         |      |       |      |                      |  |  |
|  | 3/8       | 10     | FG38-10   |          | 10.5 (.413)         | 18.2 (.717) | 36.0(1.417) | 13.6 (.535) |                |                |               |          |         |         |       |        |      |         |      |       |      |                      |  |  |
| 1/0<br>(42.42 to 60.57)                    | 1/4       | 6      | FG60-6    |          | 6.4 (.252)          | 22.0 (.866) | 44.0(1.732) | 17.6 (.693) | 15.5<br>(.610) | 11.4<br>(.449) | 2.0<br>(.079) |          |         |         |       |        |      | 0       | 0    | 50    |      |                      |  |  |
|  | 5/16      | 8      | FG60-8    |          | 8.4 (.331)          | 22.0 (.866) | 44.0(1.732) | 17.6 (.693) |                |                |               |          |         |         |       |        |      |         |      |       |      |                      |  |  |
|  | 3/8       | 10     | FG60-10   |          | 10.5 (.413)         | 22.0 (.866) | 44.0(1.732) | 17.6 (.693) |                |                |               |          |         |         |       |        |      |         |      |       |      |                      |  |  |
|  | 1/2       | 12     | FG60-12   |          | 13.0 (.512)         | 22.0 (.866) | 44.0(1.732) | 17.6 (.693) |                |                |               |          |         |         |       |        |      |         |      |       |      |                      |  |  |
| 2/0<br>(60.57 to 76.28)                    | 5/16      | 8      | FG70-8    |          | 8.4 (.331)          | 23.8 (.937) | 47.0(1.850) | 17.5 (.689) | 17.5<br>(.689) | 13.3<br>(.524) | 2.0<br>(.079) |          |         |         |       |        |      | 0       |      | 25    |      |                      |  |  |
|  | 3/8       | 10     | FG70-10   |          | 10.5 (.413)         | 23.8 (.937) | 47.0(1.850) | 17.5 (.689) |                |                |               |          |         |         |       |        |      |         |      |       |      |                      |  |  |
|  | 1/2       | 12     | FG70-12   |          | 13.0 (.512)         | 23.8 (.937) | 47.0(1.850) | 17.5 (.689) |                |                |               |          |         |         |       |        |      |         |      |       |      |                      |  |  |
| 3/0<br>(76.28 to 96.3)                     | 1/4       | 6      | FG80-6    |          | 6.4 (.252)          | 27.0(1.063) | 51.0(2.008) | 18.1 (.713) | 19.5<br>(.768) | 14.5<br>(.571) | 2.3<br>(.091) |          |         |         |       |        |      | 0       |      | 25    |      |                      |  |  |
|  | 5/16      | 8      | FG80-8    |          | 8.4 (.331)          | 27.0(1.063) | 51.0(2.008) | 18.1 (.713) |                |                |               |          |         |         |       |        |      |         |      |       |      |                      |  |  |
|  | 3/8       | 10     | FG80-10   |          | 10.5 (.413)         | 27.0(1.063) | 51.0(2.008) | 18.1 (.713) |                |                |               |          |         |         |       |        |      |         |      |       |      |                      |  |  |
|  | 1/2       | 12     | FG80-12   |          | 13.0 (.512)         | 27.0(1.063) | 51.0(2.008) | 18.1 (.713) |                |                |               |          |         |         |       |        |      |         |      |       |      |                      |  |  |
| 4/0<br>(96.3 to 117.2)                     | 5/16      | 8      | FG100-8   |          | 8.4 (.331)          | 28.6(1.126) | 54.0(2.126) | 17.7 (.697) | 22.3<br>(.878) | 16.4<br>(.646) | 2.6<br>(.102) |          |         |         |       |        |      | 0       |      | 25    |      |                      |  |  |
|  | 3/8       | 10     | FG100-10  |          | 10.5 (.413)         | 28.6(1.126) | 54.0(2.126) | 17.7 (.697) |                |                |               |          |         |         |       |        |      |         |      |       |      |                      |  |  |

Note:1) The part numbers indicated in the above table are for products with a brazed seam.  
 When ordering products with a nominal size of 1.25 to 5.5 with a butted seam, add the prefix "WS" to the part number (ex. FG2-4 → **WSFG2-4**).  
 2) Delivery lead times may vary depending on the product. Contact JST for details.