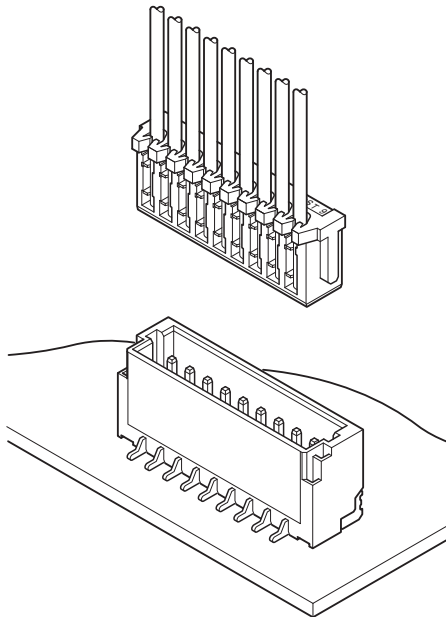




SR/SZ CONNECTOR

1.0 mm pitch/Wire-to-Board connectors/IDC style and Mating style



- Compact insulation displacement connector
- Header designed for vacuum pick and place robotics
- Twin U-slot insulation displacement section
- 3-point grip construction
- Through-hole type (SZ)

■ Standards

Ⓜ :Recognized E 60389

Ⓢ :Certified LR 20812

■ Specifications

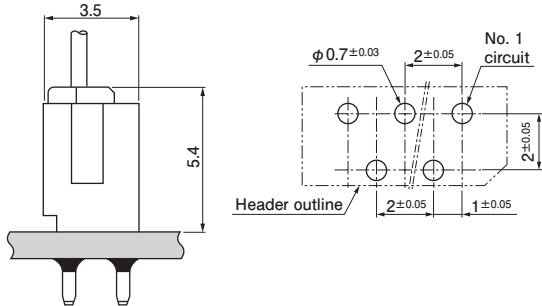
- Current rating: 0.7 A AC/DC
- Voltage rating: 50 V AC/DC
- Temperature range: -25°C to +85°C
(including temperature rise in applying electrical current)
- Contact resistance:
 - Initial value/ 20 mΩ max.
 - After environmental tests/ 40 mΩ max.
- Insulation resistance: 100 MΩ min.
- Withstanding voltage:
 - There shall be no breakdown or flashover while applying 500 VAC for one minute.
- Applicable wire range:
 - Conductor size/AWG #30
 - Conductor/7 strands,
 - tin-coated annealed copper
 - Insulation O.D./ $\phi 0.54$ mm to $\phi 0.58$ mm
- * Please refer to the "Handling Precautions for Terminals and Connectors" on our website (listed in the "Technical Documents" column on the Product Information page) before use.
- * RoHS2 compliance
- * Dimensional unit: mm
- * Contact JST for details.

SR/SZ CONNECTOR

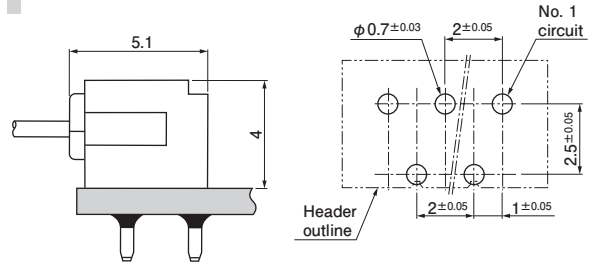
PC board layout and Assembly layout

< Through-hole type >

Top entry type

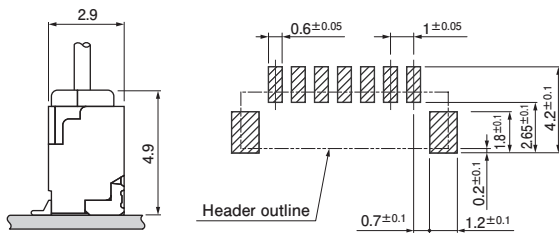


Side entry type

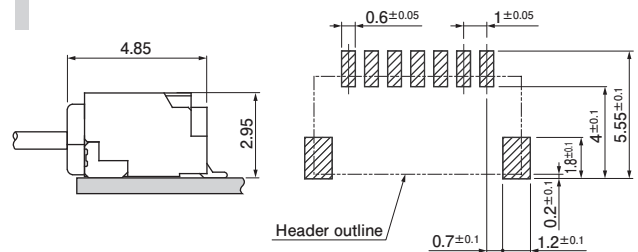


< SMT type >

Top entry type

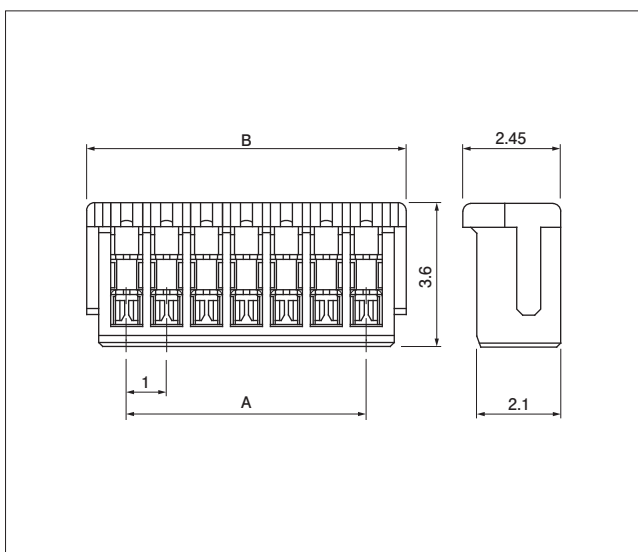


Side entry type



- Note: 1. The PC board layout figure shown is viewed from the connector mounting surface.
 2. Tolerance for the PCB pattern pitch/PCB hole pitch shall be ± 0.05 and shall not accumulate.
 The above dimensions are reference values. Please contact JST for details.
 3. Hole dimensions differ depending on the type of PCB and PCB drilling method.
 4. If using double-sided through-hole PC board, it is necessary to confirm the resistance to the soldering heat on the PC board to be used and the soldering condition. Single sided paper based phenolic resin copper-clad PC board (t1.6) is recommended for a PCB used.

Socket



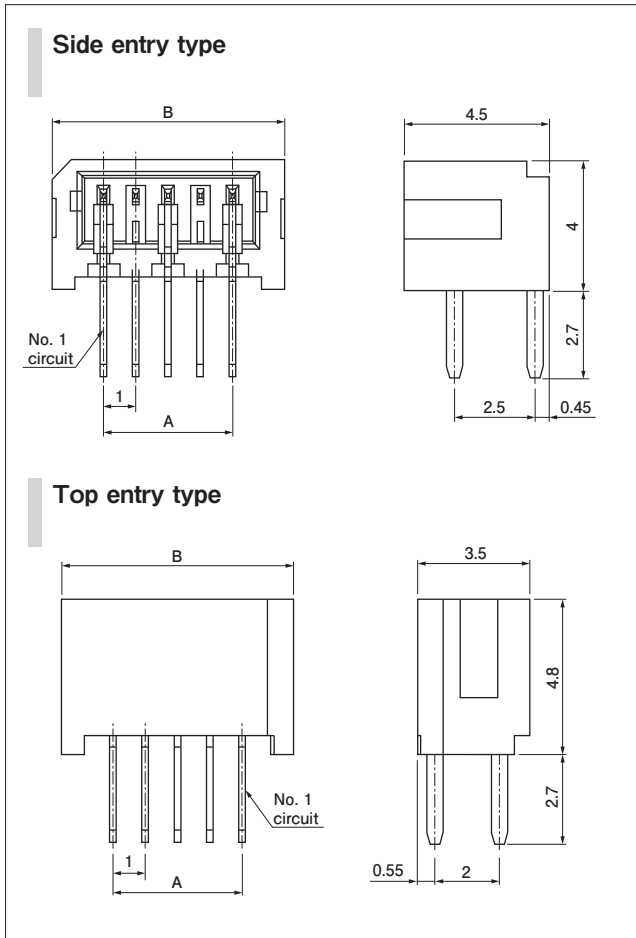
No. of circuits	Model No.	Dimensions (mm)		Q'ty/box
		A	B	
2	02SR-3S	1.0	3.0	2,000
3	03SR-3S	2.0	4.0	2,000
4	04SR-3S	3.0	5.0	2,000
5	05SR-3S	4.0	6.0	2,000
6	06SR-3S	5.0	7.0	2,000
7	07SR-3S	6.0	8.0	2,000
8	08SR-3S	7.0	9.0	2,000
9	09SR-3S	8.0	10.0	2,000
10	10SR-3S	9.0	11.0	2,000
11	11SR-3S	10.0	12.0	2,000
12	12SR-3S	11.0	13.0	2,000
13	13SR-3S	12.0	14.0	2,000
14	14SR-3S	13.0	15.0	2,000

Material and Surface finish, etc.

Contact: Phosphor bronze, tin-plated
 Housing: PA, UL94V-0, natural

SR/SZ CONNECTOR

Header (Through-hole type)



No. of circuits	Model No.		Dimensions (mm)		Q'ty/box	
	Top entry type	Side entry type	A	B	Top entry type	Side entry type
3	B03B-SZ	S03B-SZ	2.0	5.2	12,825	9,405
4	B04B-SZ	S04B-SZ	3.0	6.2	10,800	7,920
5	B05B-SZ	S05B-SZ	4.0	7.2	9,225	6,765
6	B06B-SZ	S06B-SZ	5.0	8.2	8,100	5,940
7	B07B-SZ	S07B-SZ	6.0	9.2	7,200	5,280
8	B08B-SZ	—	7.0	10.2	6,525	—
9	B09B-SZ	—	8.0	11.2	5,850	—
11	B11B-SZ	—	10.0	13.2	4,950	—
14	*B14B-SZ	—	13.0	16.2	4,050	—

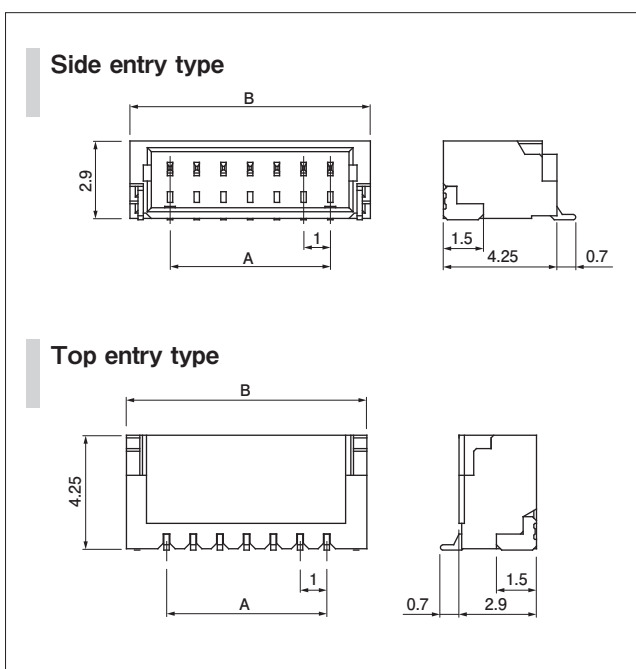
Material and Surface finish, etc.

Contact: Brass, tin-plated

Base housing: PBT (Glass-filled), UL94V-0, natural (white)

Note: Product marked with an asterisk (*) is unlisted in UL Standard.

Header (SMT type)



No. of circuits	Model No.		Dimensions (mm)		Q'ty/reel	
	Top entry type	Side entry type	A	B	Top entry type	Side entry type
2	BM02B-SRSS-TB	SM02B-SRSS-TB	1.0	4.0	1,500	3,000
3	BM03B-SRSS-TB	SM03B-SRSS-TB	2.0	5.0	1,500	3,000
4	BM04B-SRSS-TB	SM04B-SRSS-TB	3.0	6.0	1,500	3,000
5	BM05B-SRSS-TB	SM05B-SRSS-TB	4.0	7.0	1,500	3,000
6	BM06B-SRSS-TB	SM06B-SRSS-TB	5.0	8.0	1,500	3,000
7	BM07B-SRSS-TB	SM07B-SRSS-TB	6.0	9.0	1,500	3,000
8	BM08B-SRSS-TB	SM08B-SRSS-TB	7.0	10.0	1,500	3,000
9	BM09B-SRSS-TB	SM09B-SRSS-TB	8.0	11.0	1,500	3,000
10	BM10B-SRSS-TB	SM10B-SRSS-TB	9.0	12.0	1,500	3,000
11	BM11B-SRSS-TB	SM11B-SRSS-TB	10.0	13.0	1,500	3,000
12	BM12B-SRSS-TB	SM12B-SRSS-TB	11.0	14.0	1,500	3,000
13	BM13B-SRSS-TB	SM13B-SRSS-TB	12.0	15.0	1,500	3,000
14	BM14B-SRSS-TB	SM14B-SRSS-TB	13.0	16.0	1,500	3,000

Material and Surface finish, etc.

Contact: Copper alloy, copper-underplated, tin-plated

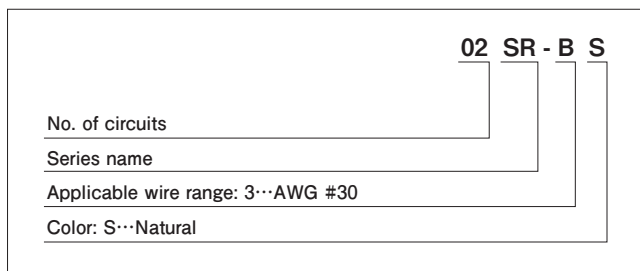
Base housing: PA, UL94V-0, natural

Reinforcement: Brass, copper-underplated, tin-plated

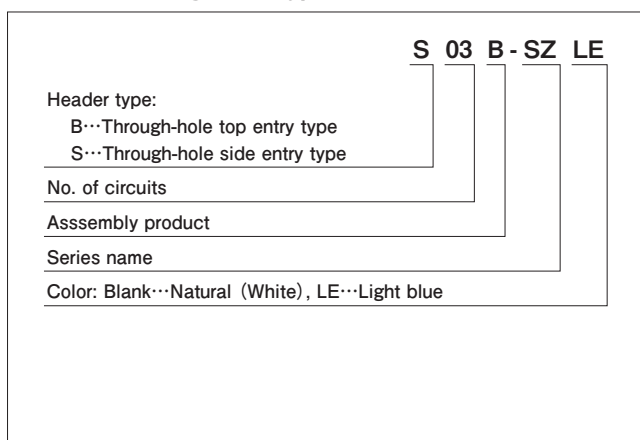
Note: 1. This product displays (LF)(SN) on a label.
 2. This product is supplied on embossed tape and reel packaging.
 3. Top-entry headers with suction tape are also available.
 Please contact JST for details.

Model number allocation

Socket



Header (Through-hole type)



Header (SMT type)

