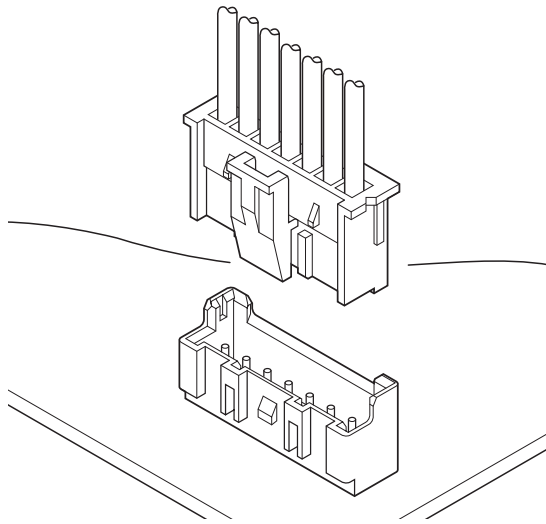


XA CONNECTOR (Compatible with glow wire test)

2.5mm pitch/Disconnectable Crimp style connectors



- **Secure locking device**
- **Solder crack preventive material**
- **Low insertion force**
- **Insertion guide mechanism**
- **Polarizing boss**
- **Compatible with glow wire test**

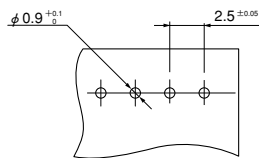
Specifications

- Current rating: 3A AC DC (AWG #22, #20)
- Voltage rating: 250V AC DC
- Temperature range: -25°C to +105°C
(including temperature rise in applying electrical current)
- Contact resistance: Initial value/ 10m Ω max.
After environmental testing/ 20m Ω max.
- Insulation resistance: 1,000M Ω min.
- Withstanding voltage: 1,000V AC/minute
- Applicable wire: AWG #28 to #20
- Applicable PC board thickness: 1.6mm

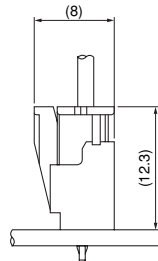
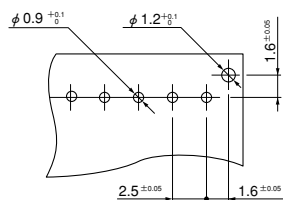
- * Contact JST for overseas standard.
- * Compliant with RoHS.
- * Contact JST for Halogen-free product, etc.
- * Refer to "General Instruction and Notice when using Terminals and Connectors" at the end of this catalog.

<Through-hole type>

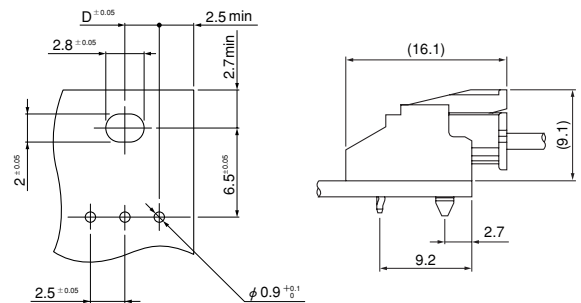
Top entry type without a boss



with a boss



Side entry type



Dimension D: Refer to the Model No. chart of header side entry type.

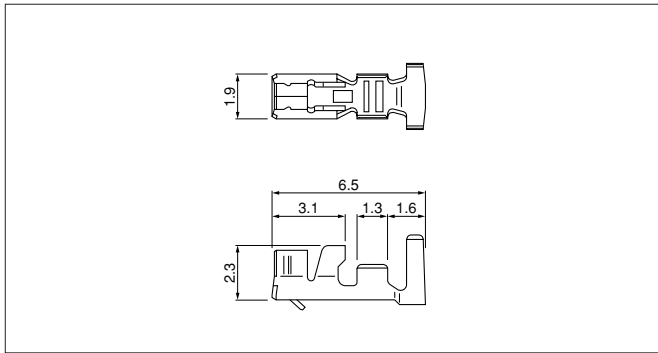
Note: 1. The above figure is the figure viewed from the connector mounting side.

2. Tolerances are non-cumulative: $\pm 0.05\text{mm}$ for all centers.

3. Hole dimensions differ according to the type of PC board and piercing method. The dimensions above should serve as a guideline. Contact JST for details.

XA CONNECTOR (Compatible with glow wire test)

Contact



| Model No. | Applicable wire | | | Q'ty / reel |
|-----------------------|-----------------|-------|----------------------|-------------|
| | mm ² | AWG# | Insulation O.D. (mm) | |
| SXA-001T-P0.6 | 0.08~0.33 | 28~22 | 0.8~1.9 | 8,000 |
| SXA-01T-P0.6 | 0.22~0.5 | 24~20 | 1.5~1.9 | 8,000 |
| SXA-001T-P0.6L | 0.13~0.33 | 26~22 | 1.3~1.7 | 8,000 |

Material and Finish

Phosphor bronze, tin-plated (reflow treatment)

RoHS compliance

Note :1. SXA-001T-P0.6L is low-insertion force type contact, for easier insertion/withdrawal, which would be less resistant to the vibration. The crimp height is different from the standard contact.
2. Contact JST for gold-plated products.

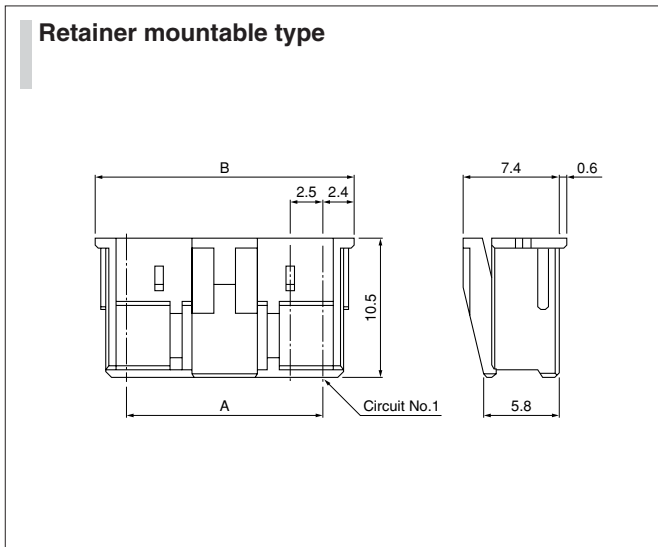
| Contact | Crimping machine | Applicator | | |
|-----------------------|------------------|------------------|-----------------|----------------------------|
| | | Crimp applicator | Dies | Crimp applicator with dies |
| SXA-001T-P0.6 | AP-K2N | MKS-L | MK/SXA/M-001-06 | APLMK SXA/M001-06 |
| | | *MKS-SC | SC/SXA/M-001-06 | APLSC SXA/M001-06 |
| SXA-001T-P0.6L | | MKS-L | MK/SXA-001-06L | APLMK SXA001-06L |
| | | *MKS-SC | SC/SXA-001-06L | APLSC SXA001-06L |

| Contact | Crimping machine | Applicator | | |
|---------------------|------------------|------------------|----------------|----------------------------|
| | | Crimp applicator | Dies | Crimp applicator with dies |
| SXA-01T-P0.6 | AP-K2N | MKS-L | MK/SXA/M-01-06 | APLMK SXA/M01-06 |
| | | *MKS-SC | SC/SXA/M-01-06 | APLSC SXA/M01-06 |

Note: *Strip-crimp applicator

Housing

Retainer mountable type



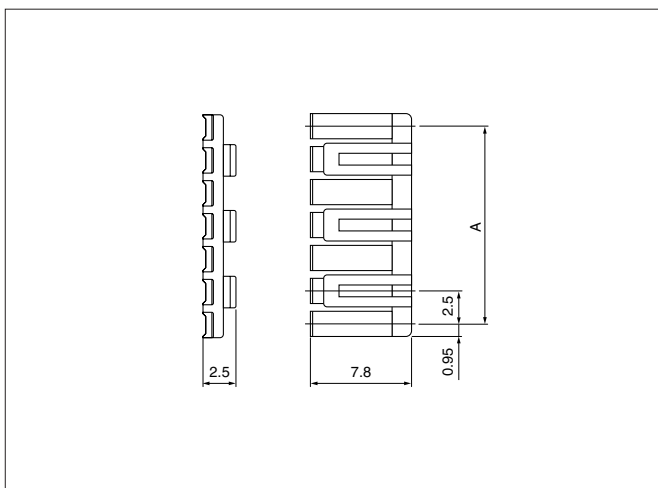
| Circuits | Model No. | Dimensions (mm) | | Q'ty / bag |
|----------|----------------------|-----------------|------|------------|
| | | A | B | |
| 2 | XARP-02V-WGT4 | 2.5 | 7.3 | 1,000 |
| 3 | XARP-03V-WGT4 | 5.0 | 9.8 | 1,000 |
| 4 | XARP-04V-WGT4 | 7.5 | 12.3 | 1,000 |
| 5 | XARP-05V-WGT4 | 10.0 | 14.8 | 1,000 |
| 6 | XARP-06V-WGT4 | 12.5 | 17.3 | 1,000 |
| 7 | XARP-07V-WGT4 | 15.0 | 19.8 | 1,000 |
| 8 | XARP-08V-WGT4 | 17.5 | 22.3 | 1,000 |
| 9 | XARP-09V-WGT4 | 20.0 | 24.8 | 1,000 |
| 10 | XARP-10V-WGT4 | 22.5 | 27.3 | 1,000 |
| 11 | XARP-11V-WGT4 | 25.0 | 29.8 | 1,000 |
| 12 | XARP-12V-WGT4 | 27.5 | 32.3 | 1,000 |
| 13 | XARP-13V-WGT4 | 30.0 | 34.8 | 1,000 |
| 14 | XARP-14V-WGT4 | 32.5 | 37.3 | 1,000 |
| 15 | XARP-15V-WGT4 | 35.0 | 39.8 | 1,000 |

Material

PA 66/6, UL94V-0, natural (white)

RoHS compliance

Retainer



| Circuits | Model No. | A | Q'ty / bag |
|----------|----------------|------|------------|
| 2 | XMS-02V | 2.5 | 1,000 |
| 3 | XMS-03V | 5.0 | 1,000 |
| 4 | XMS-04V | 7.5 | 1,000 |
| 5 | XMS-05V | 10.0 | 1,000 |
| 6 | XMS-06V | 12.5 | 1,000 |
| 7 | XMS-07V | 15.0 | 1,000 |
| 8 | XMS-08V | 17.5 | 1,000 |
| 9 | XMS-09V | 20.0 | 1,000 |
| 10 | XMS-10V | 22.5 | 1,000 |
| 11 | XMS-11V | 25.0 | 1,000 |
| 12 | XMS-12V | 27.5 | 1,000 |
| 13 | XMS-13V | 30.0 | 1,000 |
| 14 | XMS-14V | 32.5 | 1,000 |
| 15 | XMS-15V | 35.0 | 1,000 |

Material

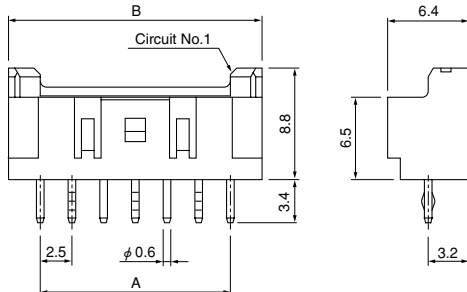
Glass-filled PA 66, UL94V-0, natural (ivory)

RoHS compliance

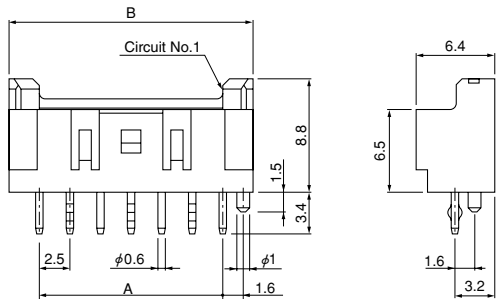
XA CONNECTOR (Compatible with glow wire test)

Through-hole type shrouded header

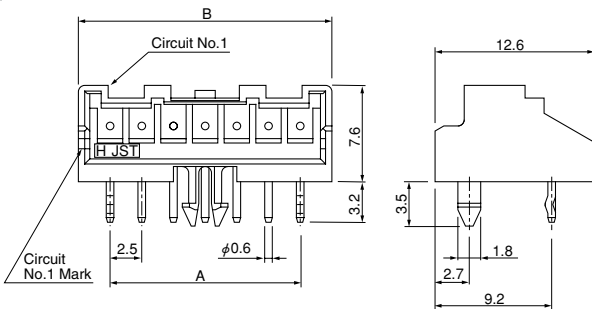
Top entry type without a boss



Top entry type with a boss



Side entry type with a hook



| Circuits | Model No. | | Dimensions (mm) | | Q'ty / box |
|----------|----------------|---------------|-----------------|------|------------|
| | Top entry type | | A | B | |
| | Without a boss | With a boss | | | |
| 2 | B02B-XASK-1 | B02B-XASK-1-A | 2.5 | 7.5 | 1,000 |
| 3 | B03B-XASK-1 | B03B-XASK-1-A | 5.0 | 10.0 | 400 |
| 4 | B04B-XASK-1 | B04B-XASK-1-A | 7.5 | 12.5 | 400 |
| 5 | B05B-XASK-1 | B05B-XASK-1-A | 10.0 | 15.0 | 400 |
| 6 | B06B-XASK-1 | B06B-XASK-1-A | 12.5 | 17.5 | 400 |
| 7 | B07B-XASK-1 | B07B-XASK-1-A | 15.0 | 20.0 | 250 |
| 8 | B08B-XASK-1 | B08B-XASK-1-A | 17.5 | 22.5 | 250 |
| 9 | B09B-XASK-1 | B09B-XASK-1-A | 20.0 | 25.0 | 250 |
| 10 | B10B-XASK-1 | B10B-XASK-1-A | 22.5 | 27.5 | 250 |
| 11 | B11B-XASK-1 | B11B-XASK-1-A | 25.0 | 30.0 | 200 |
| 12 | B12B-XASK-1 | B12B-XASK-1-A | 27.5 | 32.5 | 200 |
| 13 | B13B-XASK-1 | B13B-XASK-1-A | 30.0 | 35.0 | 100 |
| 14 | B14B-XASK-1 | B14B-XASK-1-A | 32.5 | 37.5 | 100 |
| 15 | B15B-XASK-1 | B15B-XASK-1-A | 35.0 | 40.0 | 100 |

Material and Finish

Pin: Copper alloy, copper-undercoated, tin-plated (reflow treatment)
Wafer: Glass-filled PA 66, UL94V-0, natural (ivory)

RoHS compliance This product displays (LF)(SN) on a label.
Note: Contact JST for gold-plated products.

| Circuits | Model No. | Dimensions (mm) | | | Q'ty / box |
|----------|-----------------------------|-----------------|------|-------|------------|
| | Side entry type with a hook | A | B | D | |
| 2 | S02B-XASS-1 | 2.5 | 7.5 | 1.25 | 250 |
| 3 | S03B-XASK-1 | 5.0 | 10.0 | 2.50 | 250 |
| 4 | S04B-XASK-1 | 7.5 | 12.5 | 3.75 | 200 |
| 5 | S05B-XASK-1 | 10.0 | 15.0 | 5.00 | 200 |
| 6 | S06B-XASK-1 | 12.5 | 17.5 | 6.25 | 200 |
| 7 | S07B-XASK-1 | 15.0 | 20.0 | 7.50 | 200 |
| 8 | S08B-XASK-1 | 17.5 | 22.5 | 8.75 | 100 |
| 9 | S09B-XASK-1 | 20.0 | 25.0 | 10.00 | 100 |
| 10 | S10B-XASK-1 | 22.5 | 27.5 | 11.25 | 100 |
| 11 | S11B-XASK-1 | 25.0 | 30.0 | 12.50 | 100 |
| 12 | S12B-XASK-1 | 27.5 | 32.5 | 13.75 | 100 |
| 13 | S13B-XASK-1 | 30.0 | 35.0 | 15.00 | 100 |
| 14 | S14B-XASK-1 | 32.5 | 37.5 | 16.25 | 100 |

Material and Finish

Pin: Copper alloy, copper-undercoated, tin-plated (reflow treatment)
Wafer: Glass-filled PA 66, UL94V-0, natural (ivory)

RoHS compliance This product displays (LF)(SN) on a label.
Note: 1. Dimension D... See PC board layout.
2. Contact JST for gold-plated products.

Mouser Electronics

Authorized Distributor

Click to View Pricing, Inventory, Delivery & Lifecycle Information:

[JST:](#)

[B04B-XASK-1N\(LF\)\(SN\)](#)