

THIS DRAWING CONTAINS INFORMATION THAT IS PROPRIETARY TO J.S.T. AND SHALL NOT BE USED OR SHOWN WITHOUT WRITTEN PERMISSION.

	4	3	2	1
ITEM	CONNECTOR PART NO.	DESCRIPTION	IPI CHECK	EOR CHECK
1	SRSF-91-250AS	RSF CONTACT, BRASS		
2	UL1015, 12 AWG	BLACK		

Applicable Tooling

APPLICATOR

Applicable Housings

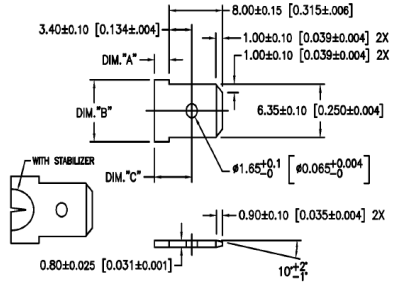
NO. OF CIRCUITS	KEYLESS HOUSING PART NO.
2	RSFP-2V-00
3	RSFP-3V-00
4	RSFP-4V-00
5	RSFP-5V-00
6	RSFP-6V-00
7	RSFP-7V-00
8	RSFP-8V-00
9	RSFP-9V-00
10	RSFP-10V-00
11	RSFP-11V-00
12	RSFP-12V-00

Other housings and configurations are available. Please contact JST for details.

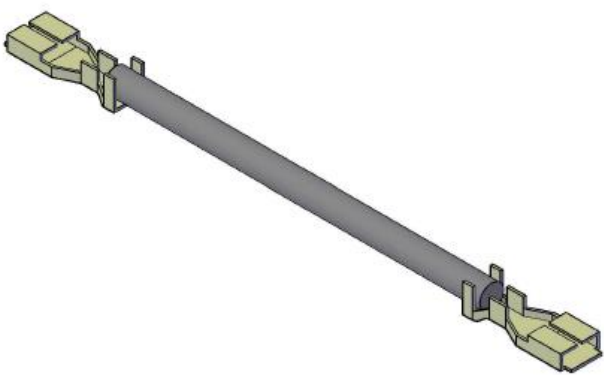
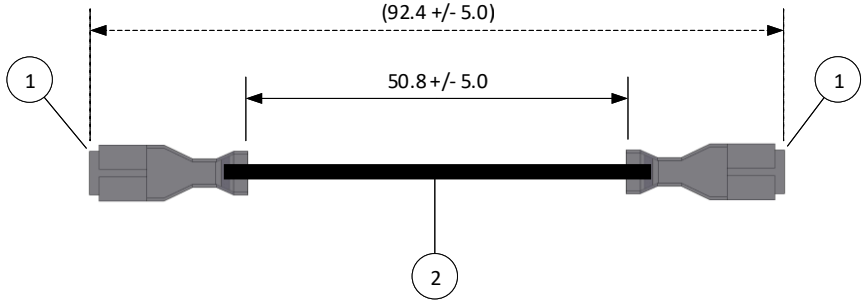
SUGGESTED MATING TAB

NO SCALE

DIM. "A"	WITHOUT STABILIZER		WITH STABILIZER	
		2.20	[0.087] MIN.	4.20±0.15
DIM. "B"	7.40	[0.291] MIN.	7.98	[0.314] MIN.
DIM. "C"	5.90	[0.232] MAX.	(7.6)	



MATING TAB NOTES:
 4. MAT'L: BRASS.
 FINISH: SUGGESTED NO PLATING.



SCALE 1: 1	CUSTOMER NAME	CUSTOMER PART NO.
DIMENSIONS All dimensions are in MM with a tolerance of +/- 3.0 unless otherwise specified.	DESCRIPTION 2" LIF, POS LOCK, .250, DOUBLE-END LEADS, BRASS, F-F	
DRAWN BY STEVEN PILKINGTON	ASSEMBLY PART NO. ASRSFSRSF12K51A	
CHECKED BY JUSTIN BAKER	DRAWING NO. & REVISION GAM-133	REVISED 3/15/2016

REV.	DESCRIPTION	DATE	BY
------	-------------	------	----

Mouser Electronics

Authorized Distributor

Click to View Pricing, Inventory, Delivery & Lifecycle Information:

[JST:](#)

[ASRSFSRSF12K51A](#)