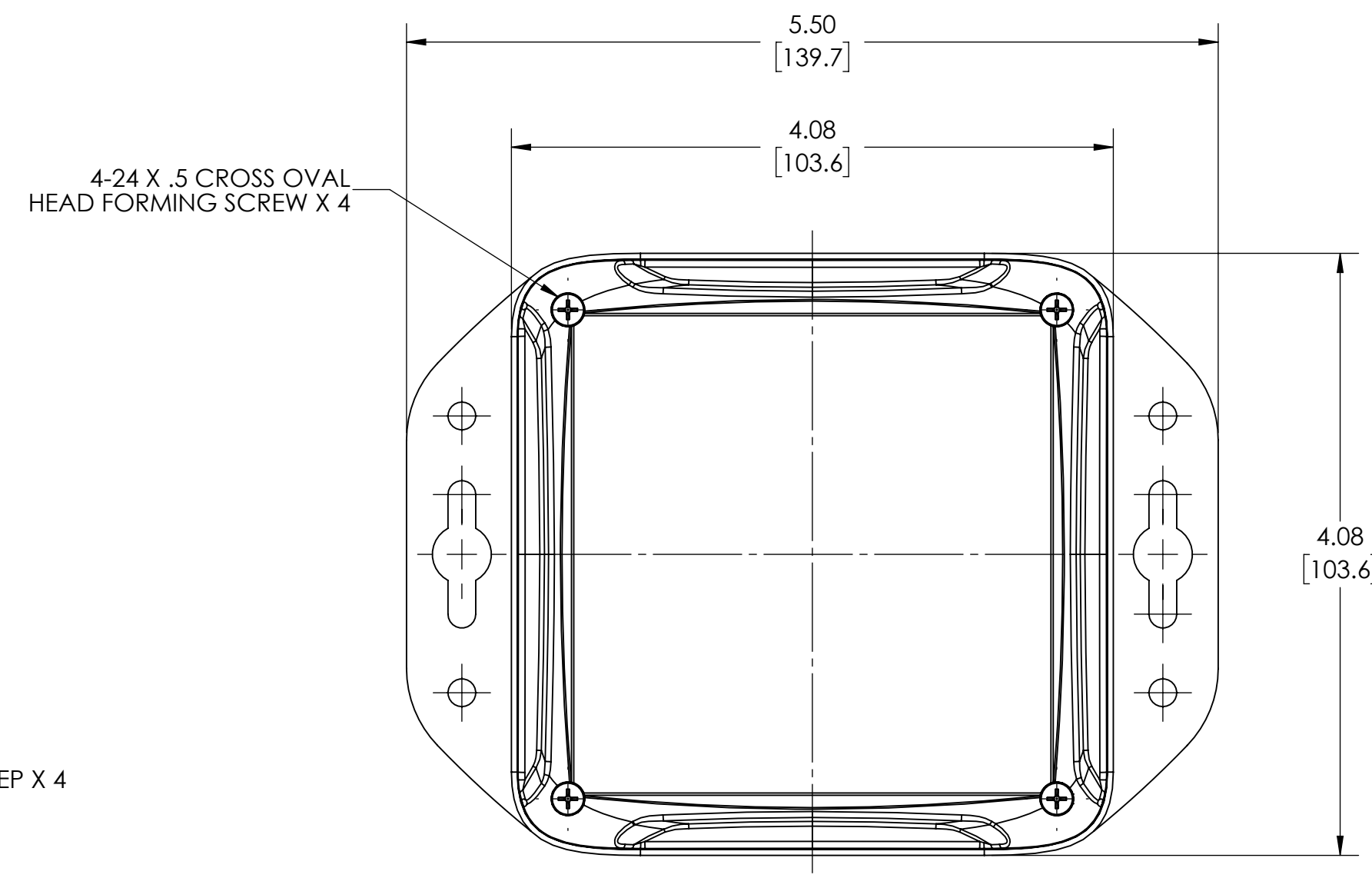
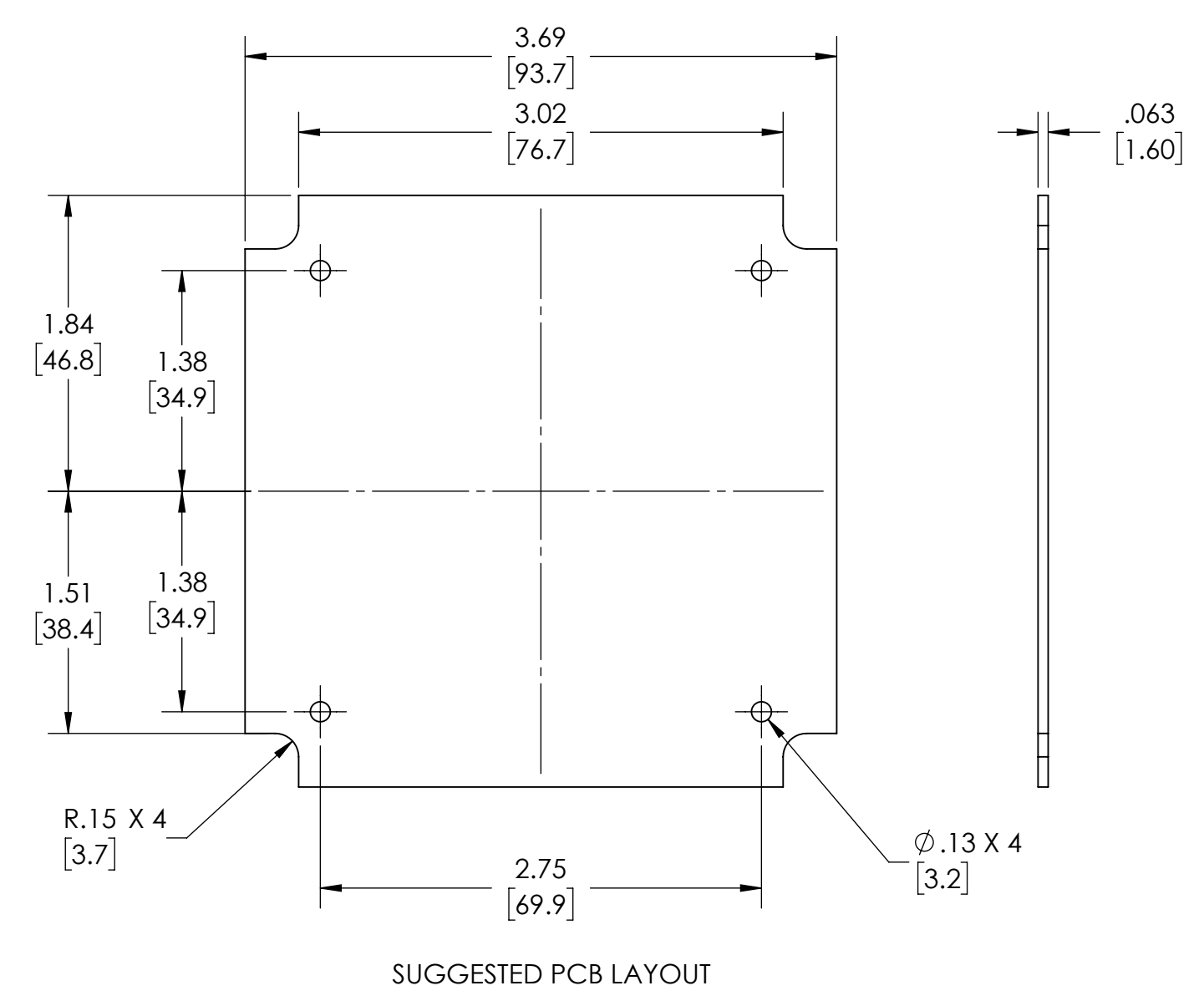


INSIDE VIEW OF BODY  
COVER NOT SHOWN

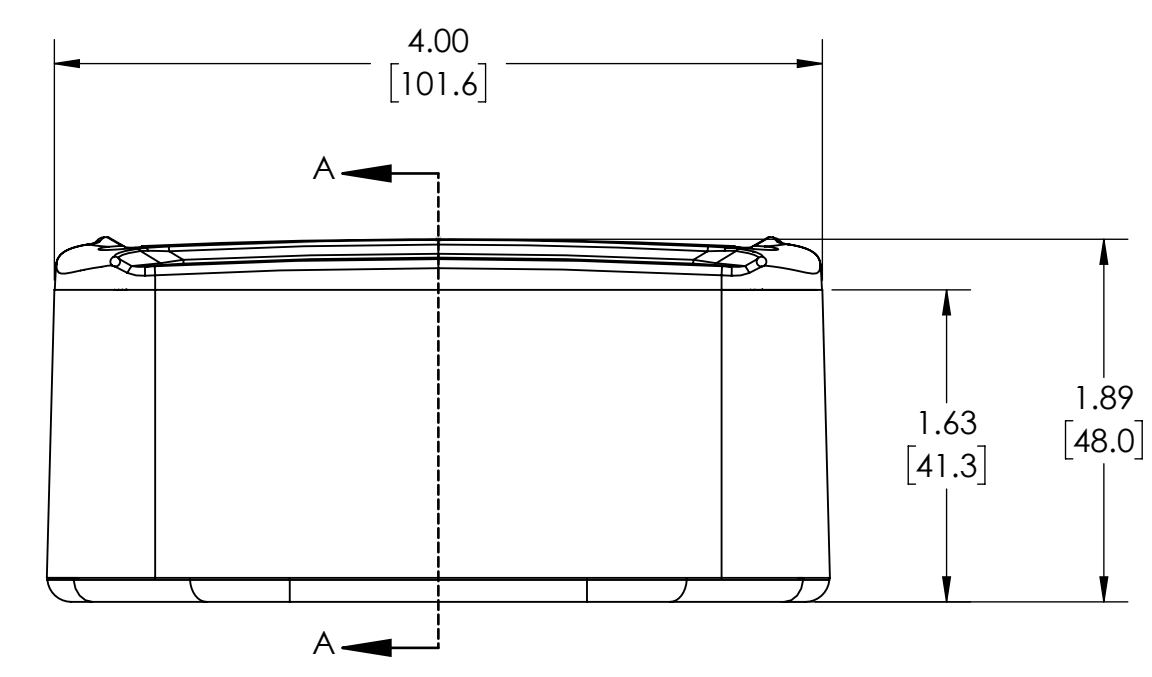


- NOTES:
- MATERIAL:  
BODY- BLACK ABS POLYAC PA-765  
COVER- BLACK ABS POLYAC PA-765  
TEXTURED/FLUSH OR RECESSED SMOOTH
  - UL94 VO(1.5mm) AND 5VA (3mm) FLAMMABILITY RATING.
  - COVER IS REMOVABLE
  - DIMENSIONS ARE INCH [MM]

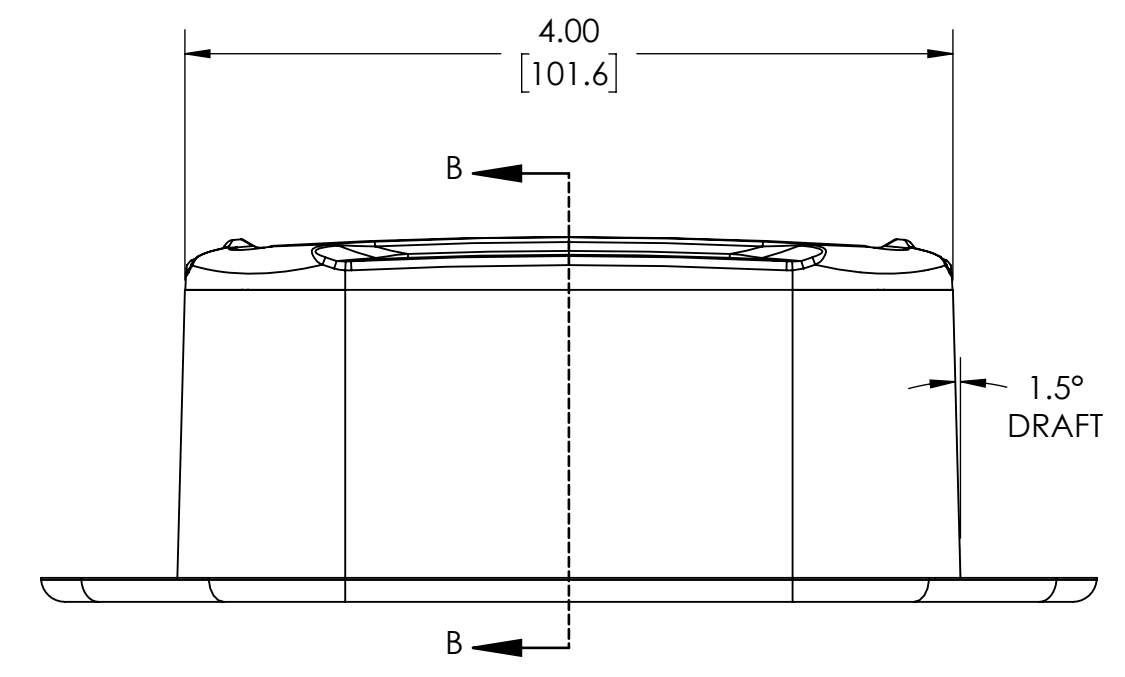
**DRAWING FOR REFERENCE**  
WE RESERVE THE RIGHT TO MAKE CHANGES TO OUR STANDARD PRODUCTS. PLEASE CONSULT WITH BUD INDUSTRIES PRIOR TO USING THIS DRAWING FOR DESIGN PURPOSE.



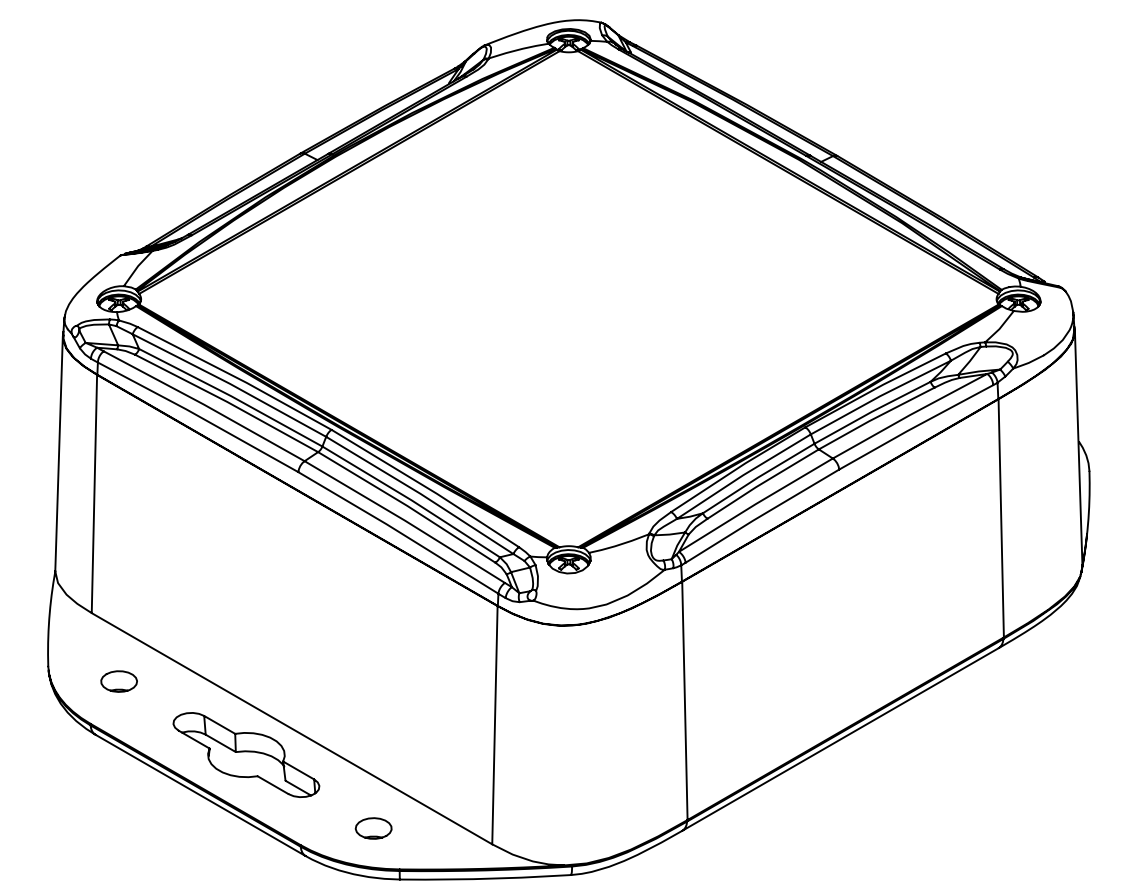
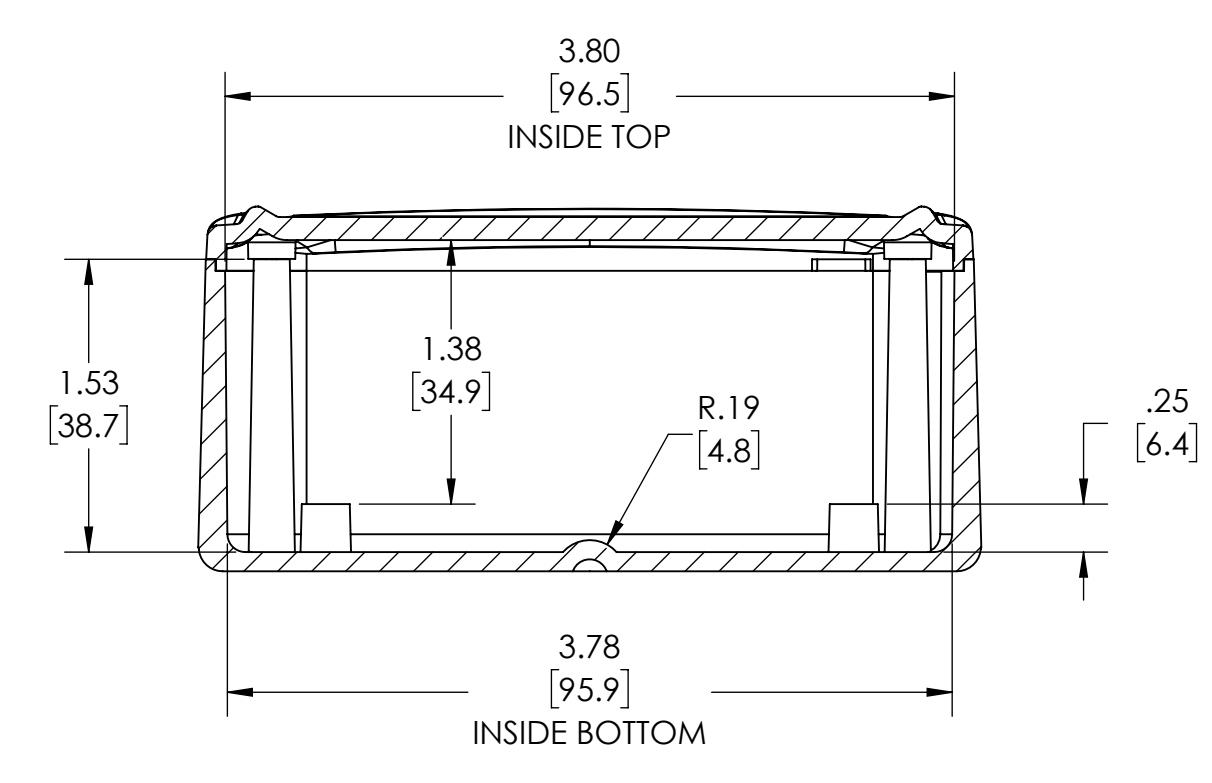
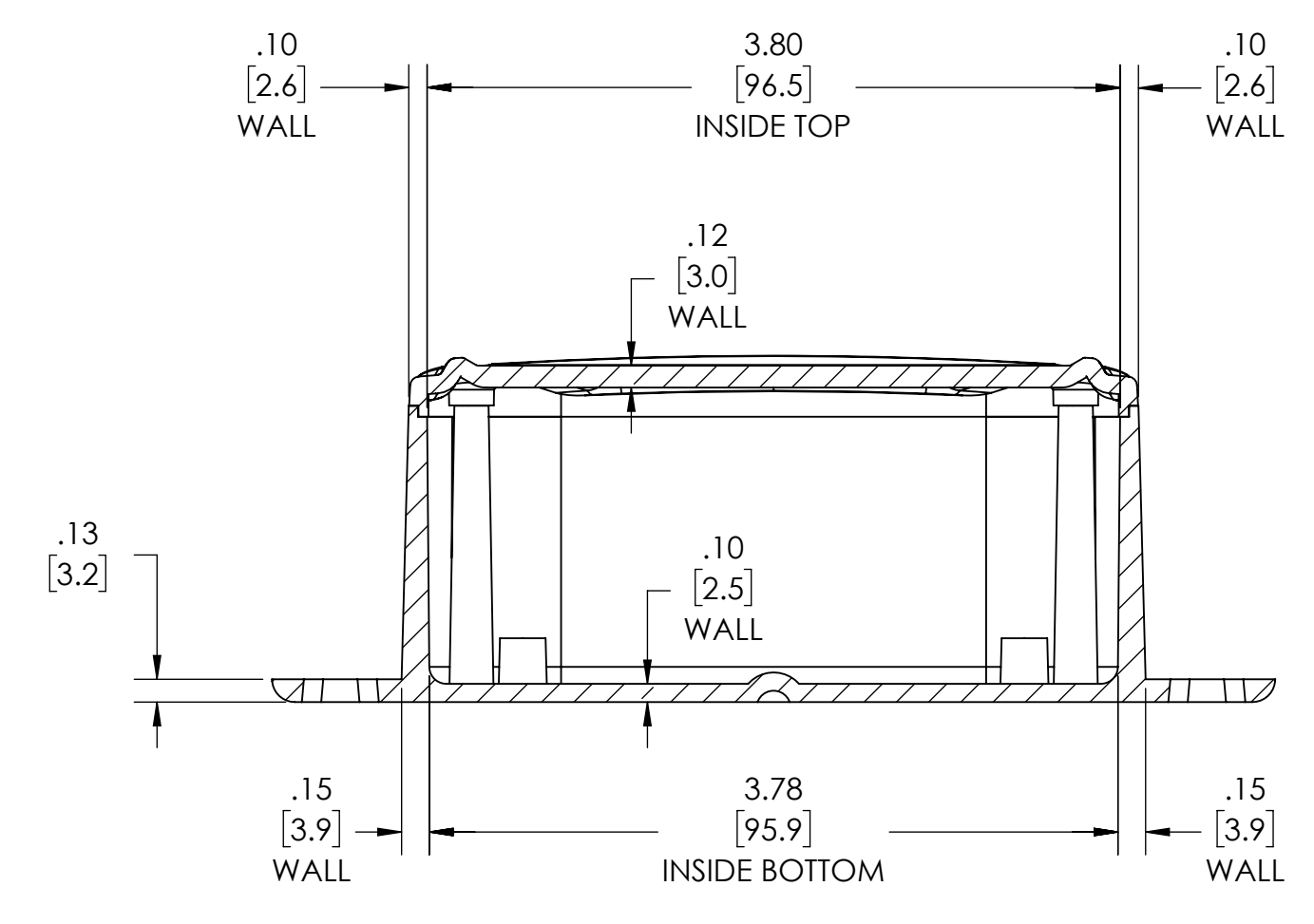
SUGGESTED PCB LAYOUT



SECTION A-A



SECTION B-B



# Mouser Electronics

Authorized Distributor

Click to View Pricing, Inventory, Delivery & Lifecycle Information:

[Bud Industries:](#)

[PW-12848-MB](#) [PW-12848-TMB](#)