



PART
NAME

EXTERNAL BRACKETS KIT

PART
No.

MTX-4503

REV.
DATE

10-27-15

DRAWING FOR REFERENCE

WE RESERVE THE RIGHT TO MAKE CHANGES TO OUR
STANDARD PRODUCTS. PLEASE CONSULT WITH BUD INDUSTRIES
PRIOR TO USING THIS DRAWING FOR DESIGN PURPOSE.

MATERIAL: STAINLESS STEEL 304

FINISH: NATURAL

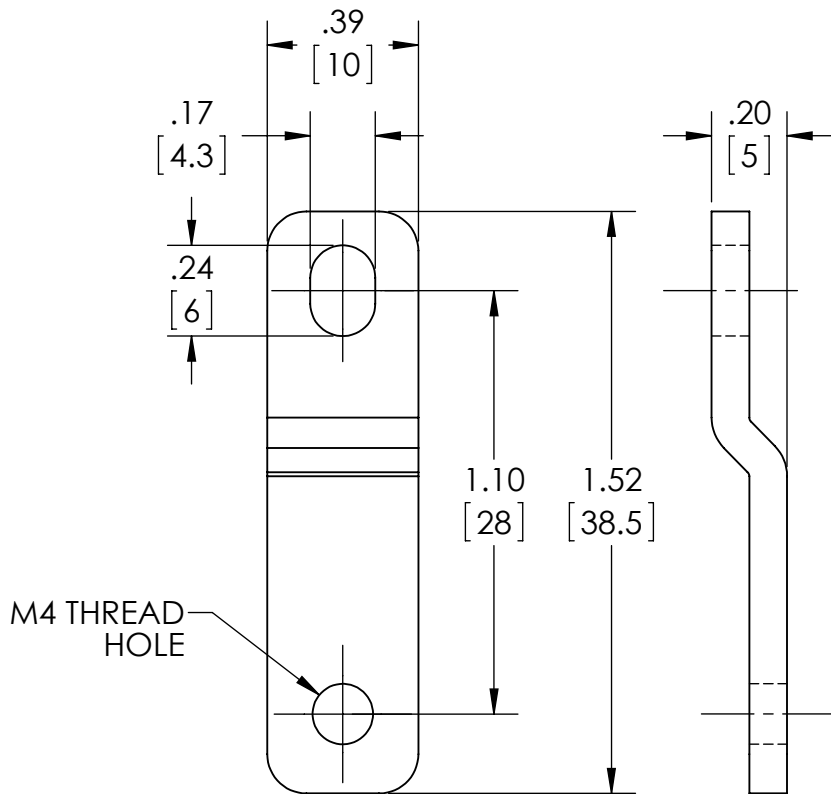
DIMENSIONS IN INCH [MM]

KIT CONSISTS OF THE FOLLOWING ITEMS:

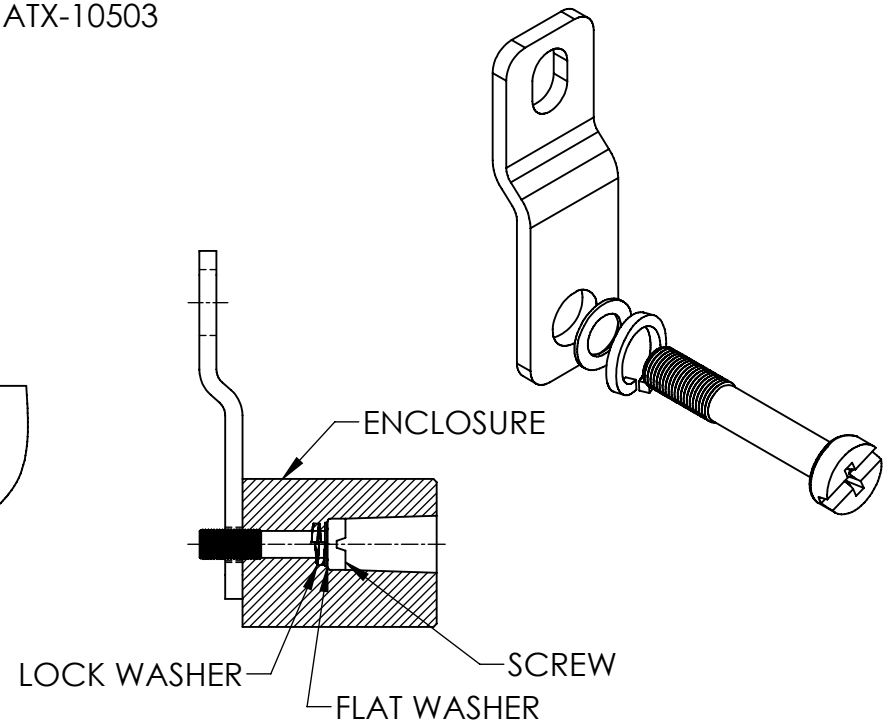
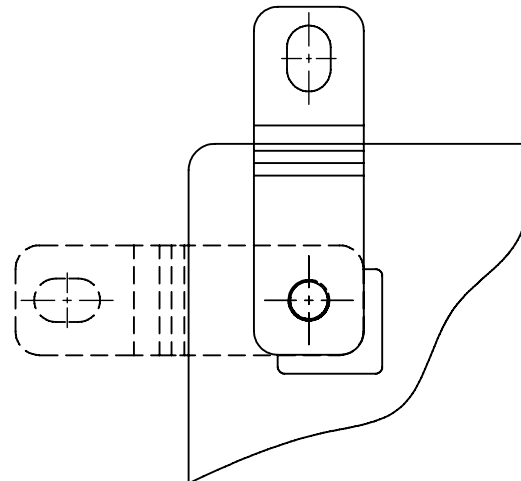
- QTY. (4) BRACKETS
- QTY. (4) M4 SCREWS
- QTY. (4) M4 FLAT WASHERS
- QTY. (4) M4 SPLIT LOCKWASHERS

WILL FIT THE FOLLOWING ENCLOSURES:

- #ATX-10501
- #ATX-10503



M4 THREAD
HOLE



Mouser Electronics

Authorized Distributor

Click to View Pricing, Inventory, Delivery & Lifecycle Information:

[Bud Industries:](#)

[MTX-4503](#)