

PART NAME

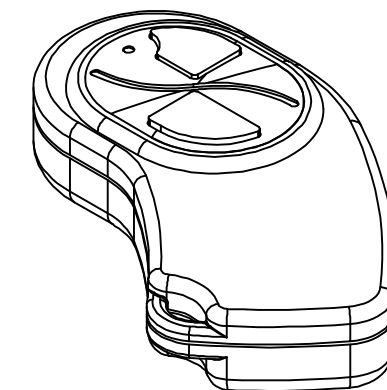
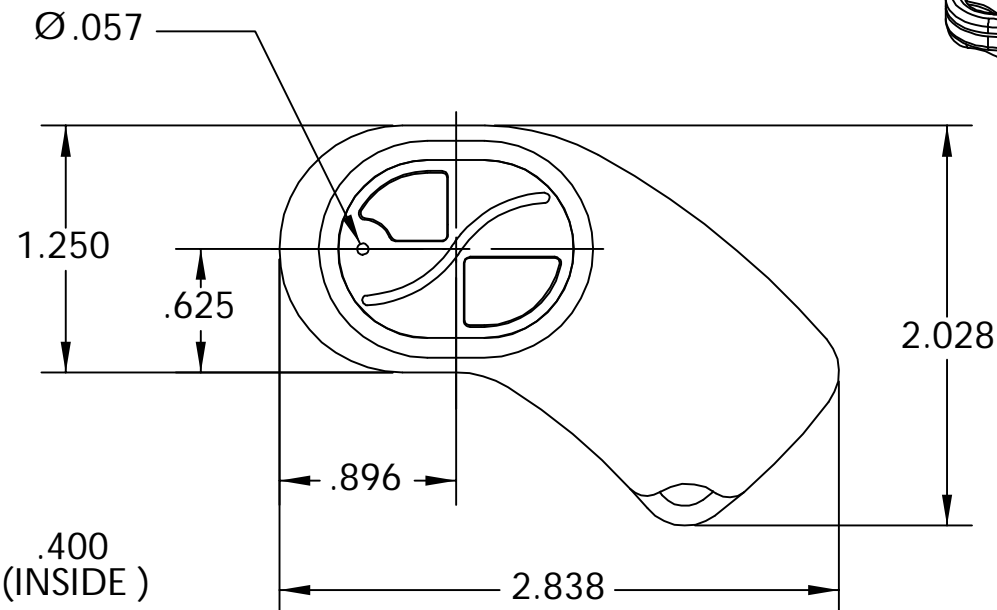
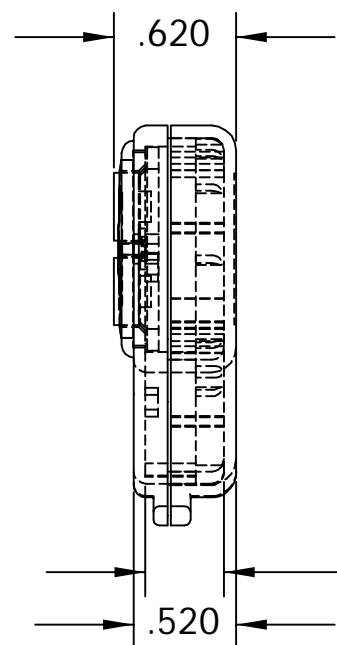
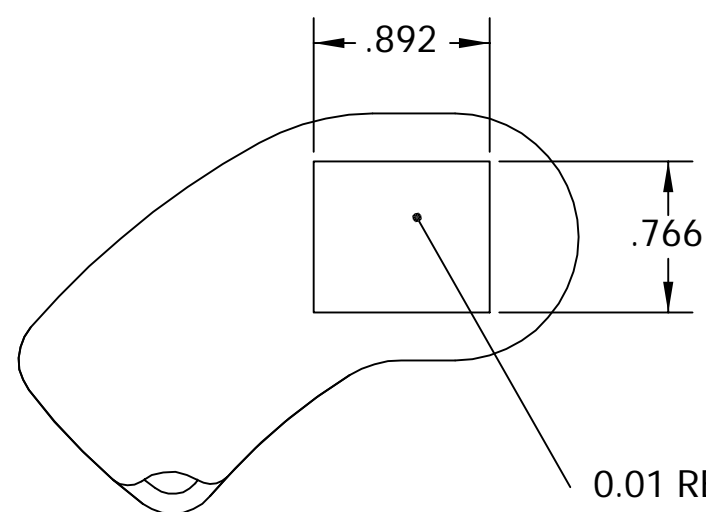
2 BUTTON GRABBER

PART No.

HH - 3502

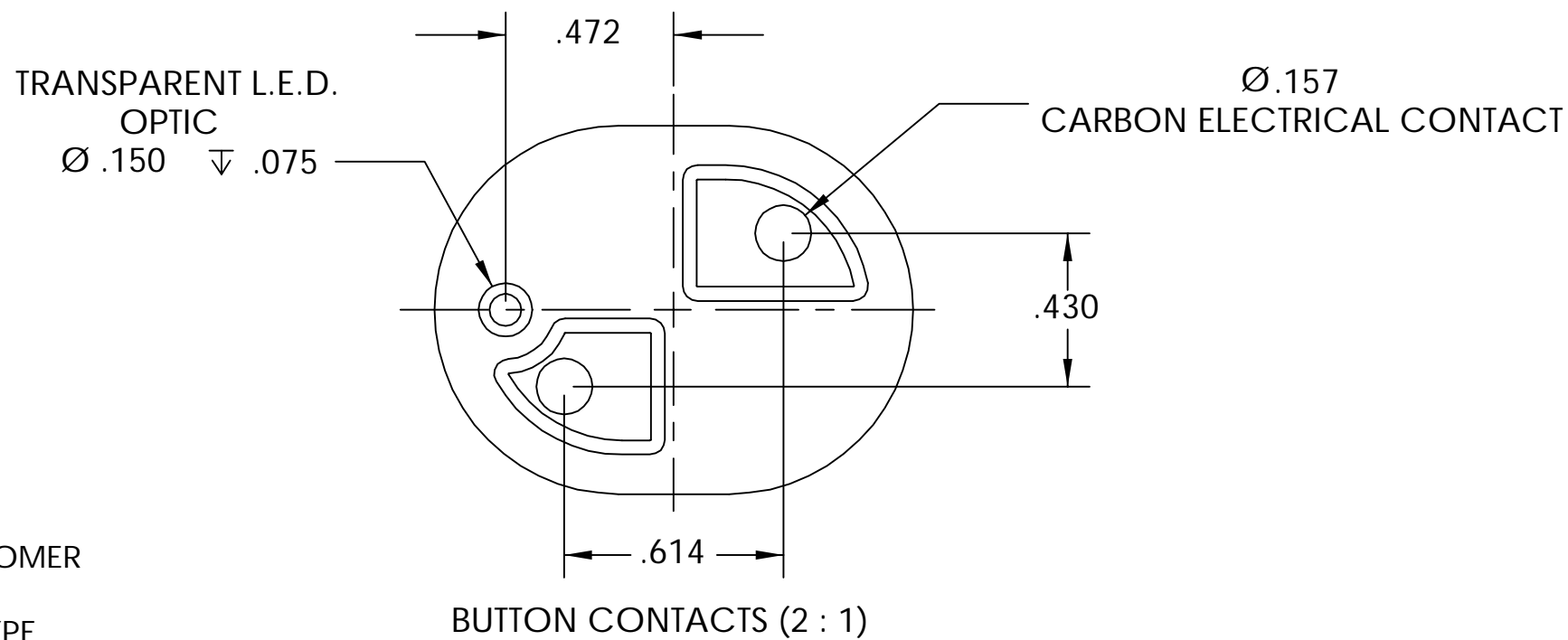
REV. DATE

10-29-08



NOTES:

1. ALL DIMENSIONS ARE IN INCHES
2. MATERIAL: BODY & COVER - ABS (UL94-HB)
BUTTON - SILICONE RUBBER
3. FINISH: BODY & COVER - TEXTURED
BUTTON - SMOOTH
4. COLOR: BODY & COVER - BLACK
BUTTON - GRAY
5. PCB IS NOT INCLUDED. TO BE SUPPLIED BY CUSTOMER
6. SUGGESTED BATTERY TYPE: 20 MM COIN CELL TYPE



Mouser Electronics

Authorized Distributor

Click to View Pricing, Inventory, Delivery & Lifecycle Information:

[Bud Industries:](#)

[HH-3502](#)