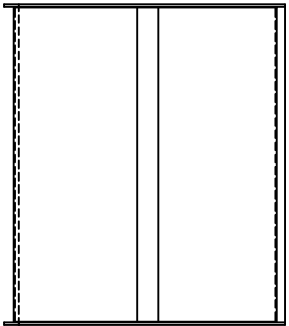


PART NAME

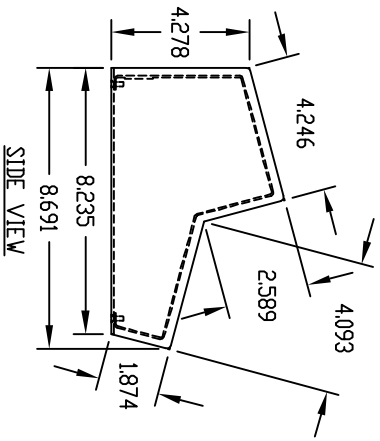
COMPUCAB

PART No.

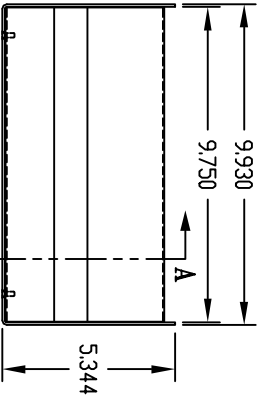
SC-13100



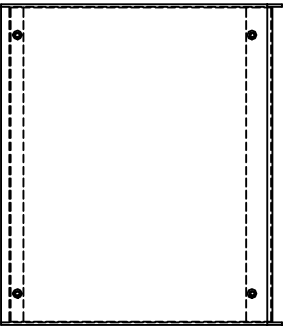
TOP VIEW



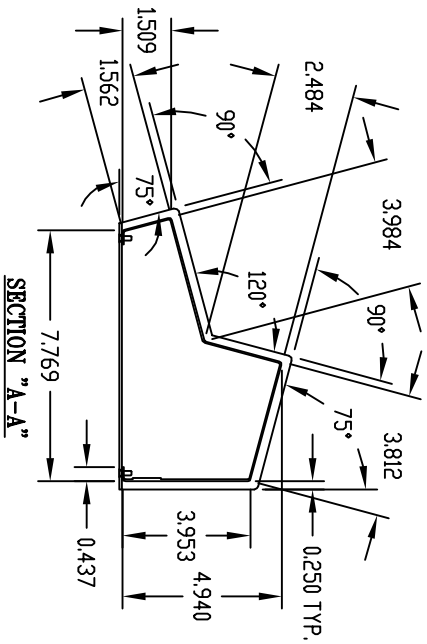
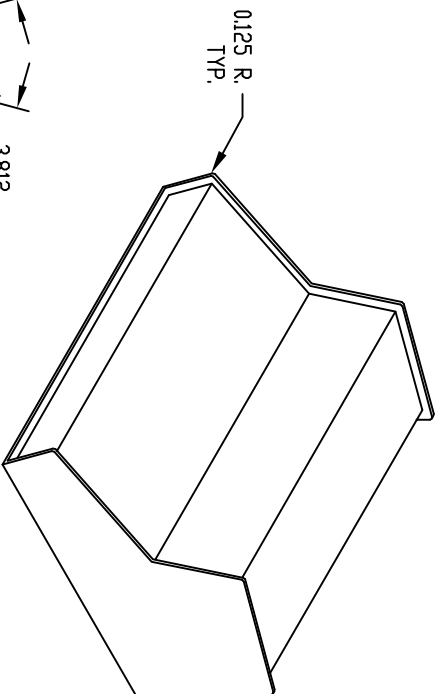
SIDE VIEW



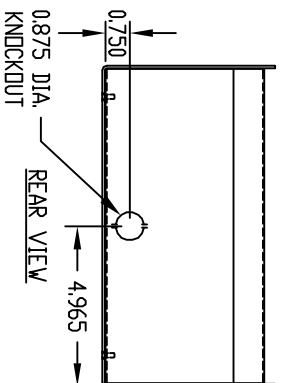
FRONT VIEW



BOTTOM VIEW



SECTION "A-A"



REAR VIEW

MATERIAL:  
 BASE 0.090 THK. ALUMINUM  
 COVER 0.050 THK. ALUMINUM

FINISH:  
 BASE BLACK TEXTURED  
 COVER WHITE (PREPAINTED)  
 FEET BLACK

SHIPPED UNASSEMBLED

SUPPLIED WITH FOUR (4) #6-32 x 3/8 LG. SCREWS AND FOUR (4) SELF-ADHESIVE FEET.

# Mouser Electronics

Authorized Distributor

Click to View Pricing, Inventory, Delivery & Lifecycle Information:

[Bud Industries:](#)

[SC-13100](#)