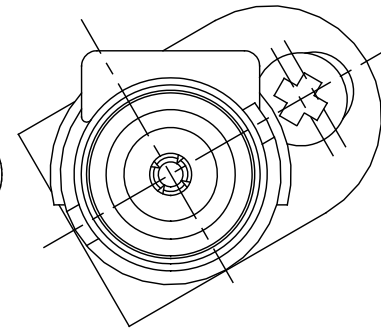
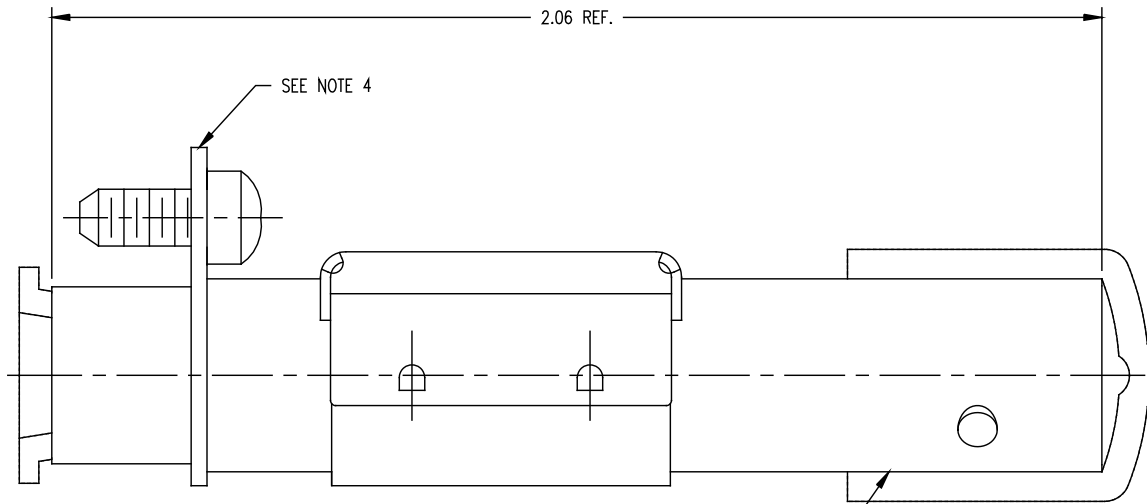


DASH NO.	W CODE	MADE FROM
----------	--------	-----------



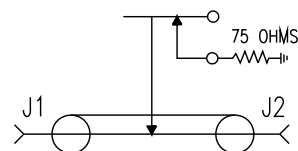
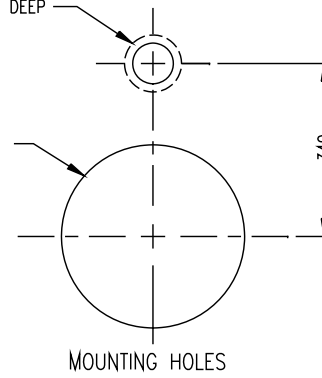
NOTES:

- BNC INTERFACE ES-17, FIG. 5.
- MATERIALS:
 - INSULATORS-MITSUI TPS, RT18 OR EQUIVALENT
 - SPRING CONTACTS } BER. COP., ASTM-B-196
 - BNC CONTACT F } BER. COP., ASTM-B-196
 - VIDEO CONTACT F } BER. COP., ASTM-B-196
 - HARDWARE-ZINC PLATED MACHINE SCREW
 - ALL OTHER METAL PARTS-BRASS, ASTM-B16
- FINISHES:
 - CENTER CONTACT & SPRING BEAM-HARD GOLD PLATE PER ASTM-B488 OVER KINGS BRIGHT NICKEL PLATE.
 - SPRING CONTACT-GOLD PLATE PER ASTM-B488, OVER COPPER STRIKE
 - HARDWARE-PASSIVATE PER QQ-P-35
 - ALL OTHER METAL PARTS-KINGS TARNISH RESISTANT FINISH (TR-5)
- FLANGE SHOWN ROTATED 60° FOR CLARITY.
- LIFE CYCLES: 50,000 CYCLES MINIMUM.
- ELECTRICAL CHARACTERISTICS:
 - NOMINAL IMPEDANCE: 75 OHMS
 - FREQUENCY RANGE: DC - 3.0 GHZ
 - RETURN LOSS: SELF-TERMINATED MODE
 - UP TO 1.5 GHZ, < -20 dB
 - UP TO 3.0 GHZ, < -10 dB
- COMPLIANT TO SMPTE 424M SPECIFICATION.

STAMP: KINGS 7772-3
YRWK (DATE CODE)

#4-40 TH'D. x .21 DEEP

.359 D.
.353




SCHEMATIC: SELF-TERMINATED MODE

SD7772-3

REVISIONS	
ISSUE	CHANGES
0	ER 39399 HVN 02/02/06
1	CN 39419 E HVN 02/28/06
2	CN 39454 C HVN 05/09/06
3	CN 39651 E HVN 10/04/06
4	CN 39772 C HVN 02/01/07
F	REVISED PER ER21674 GGR 02/04/2010

CUSTOMER SALES DRAWING

7772-3 SD	
SCALE 4 : 1	
APPROX SURFACE AREA	
USED ON	
REF: EQR 925	
MIDSIZE SINGLE VIDEO JK SELF-TERMINATED, SHORT LEG	
DRAWN HVN	DATE 01/23/06
DESIGN HVN	DATE 07/18/05
APPR. DCT	DATE 02/02/06
 Winchester Electronics 62 Barnes Industrial Road North Wollingford, CT 06492	

SD7772-3

Mouser Electronics

Authorized Distributor

Click to View Pricing, Inventory, Delivery & Lifecycle Information:

[Winchester Interconnect:](#)

[7772-3](#)