

NOTES: UNLESS OTHERWISE SPECIFIED

1. MATERIAL SPECIFICATIONS:

HOUSING: BRASS  
 INSULATOR: ULTEM  
 CONTACT: COPPER ALLOY  
 STRAIN RELIEF: TPU  
 ORING: BUNA-N

2. FINISH SPECIFICATIONS:

HOUSING: NICKEL  
 CONTACT: GOLD OVER NICKEL

3. ELECTRICAL SPECIFICATIONS:

VOLTAGE: 12 VDC  
 CURRENT: 10 AMP PEAK  
 SIGNAL: 1000BASE-T1 COMPLIANT

4. MECHANICAL SPECIFICATIONS:

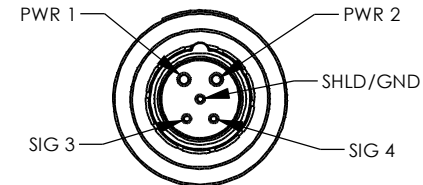
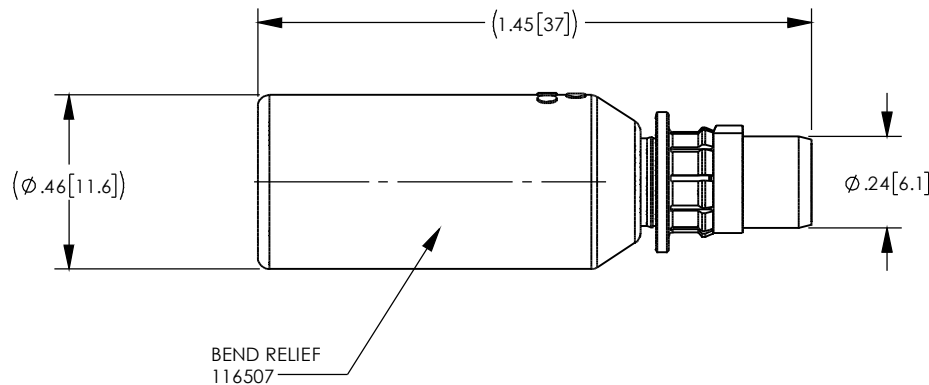
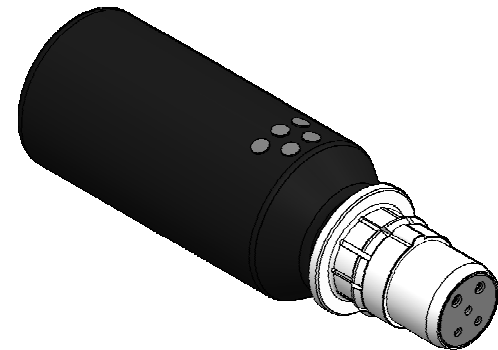
MATING CYCLES: 500  
 LATCHING: 6 LBS. MAX WITHDRAWAL

5. ENVIRONMENTAL:

IP RATING: IP69 (MATED)  
 TEMPERATURE: -40C - +125C  
 RoHS / REACH/SVHC

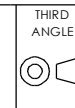
6. CM CABLE P/N TBD:

2X 18 AWG  
 2X 26 AWG (TWISTED PAIR)  
 1X 26 AWG DRAIN)



REV	DESCRIPTION	BY	DATE	APPD
00	PRELIMINARY DRAWING	JB	01/21/21	
01	REMOVE ISOLATION PIN	JB	03/08/21	
02	CHG PIN POSITION UPDATED SIZE	JB	07/15/21	
03	UPDATED NOTES	JB	08/30/21	
04	UPDATED BEND RELIEF TO .375"	JB	09/30/21	

PER ASME Y14.5M-1994  
 UNLESS OTHERWISE SPECIFIED:  
 DIMENSIONS ARE IN INCHES  
 TOLERANCES:  
 DECIMAL: .XX ± .01  
 .XXX ± N/A  
 .XXXX ± N/A  
 ANGLES: ± 1°



THIRD ANGLE

MATERIAL SEE NOTES

FINISH SEE NOTES

DRAWN DATE APPROVED DATE  
 JB 01/08/21 XXX

APPROVED DATE APPROVED DATE  
 XXX XX/XX/XX XXX XX/XX/XX

PEANUT, STR PLUG, 2 PWR, 3 SIG			
A	SD116502	SHT OF	REV
		1 1	04

THIS DRAWING IS THE DESIGN AND I DEDICATE IT AS AN UNBIDDING  
 METHOD OF PRODUCING THE DEVICE. THE DRAWING IS THE PROPERTY OF WINCHESTER  
 AND SHALL NOT BE REPRODUCED, COPIED, OR DISCLOSED  
 TO ANYONE IN ANY MANNER WITHOUT THE CONSENT  
 OF WINCHESTER INTERCONNECT.

# Mouser Electronics

Authorized Distributor

Click to View Pricing, Inventory, Delivery & Lifecycle Information:

[Winchester Interconnect:](#)

[116502](#)