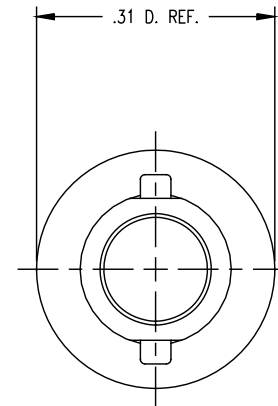
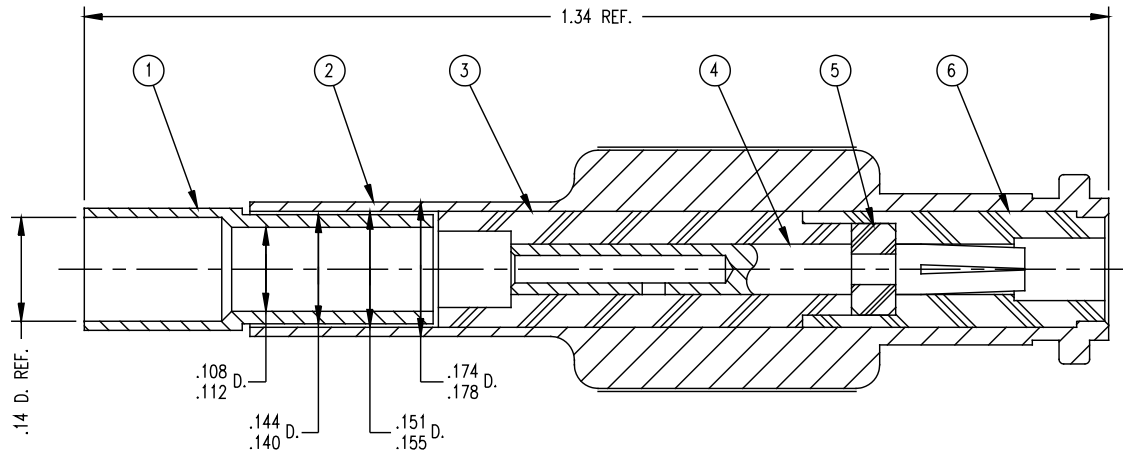


SD



## NOTES:

1. MARK PACKAGE: KINGS K-3956-MC7  
YRWK (DATE CODE)
2. FOR USE WITH RAYCHEM 5724D1311 CABLE.
3. FOR CABLING INSTRUCTIONS SEE 3-174.
4. FOR CRIMPING USE DIE SIZE 130 (.151 HEX.)

REVISIONS	
ISSUE	CHANGES
0	ER 21807 KOR 03/30/81
1	CN 28226 E EAJ 08/08/86
2	CN 37850 E REDRAWN TML 06/09/99
3	CN 38364 E TML 08/07/01

K-3956 MC7 (SHT 1 OF 1)

K3956S

SCALE 6:1

APPROX SURFACE AREA

WAS E-9684 B

USED ON

REF: AEROSPACE LIGHTING,  
DWG. NO. 31027MINATURE BAYONET  
2 STUD JACK

DRAWN KOR DATE 03/13/81

DESIGN DATE

APPR. GINO/VLS DATE 03/23/81

ELECTRONICS CO., INC.  
ROCK HILL, SOUTH CAROLINA 29730

K-3956 MC7 (SHT 1 OF 1)

SD

# Mouser Electronics

Authorized Distributor

Click to View Pricing, Inventory, Delivery & Lifecycle Information:

[Winchester Interconnect:](#)

[K-3956 MC7](#)