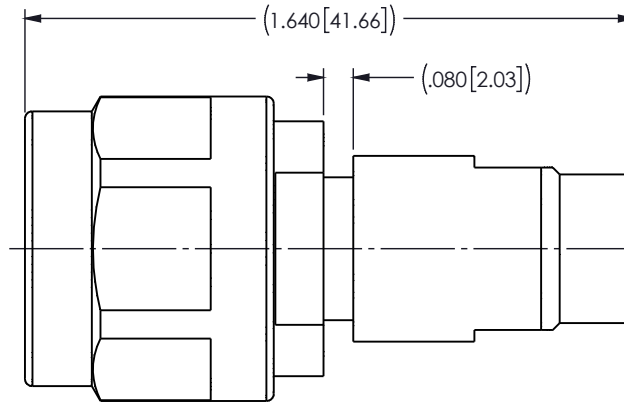


This document, including the design, configuration and mechanical features revealed herein are the sole, confidential and proprietary property of Winchester Interconnect. Reproduction or use thereof, in whole or part, is prohibited without the prior written consent of Winchester Interconnect.

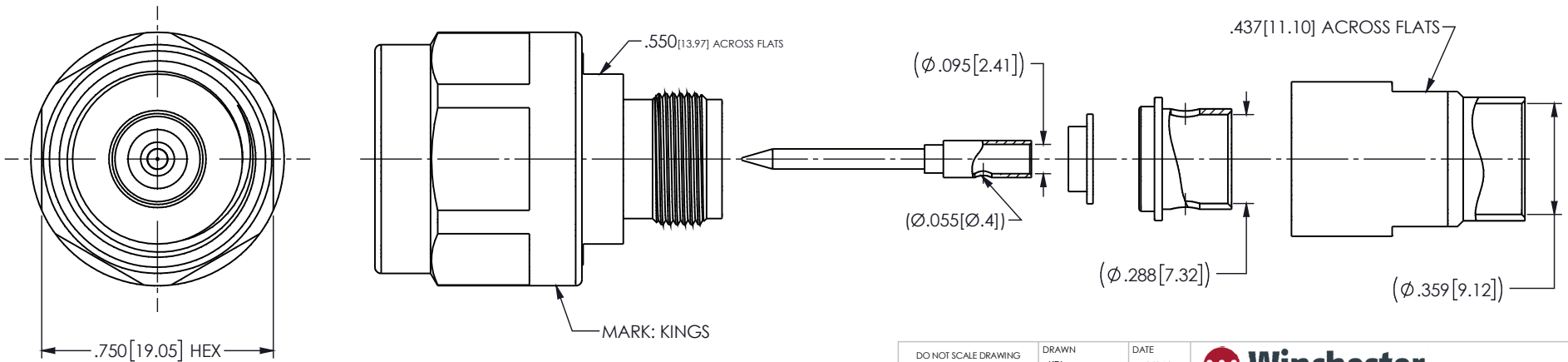
| REV | DESCRIPTION | DATE | APPD |
|-----|-------------|----------|------|
| D | ER059495 | 08/25/15 | DCAM |
| E | ECO-12605 | 07/13/20 | LA |

NOTES: UNLESS OTHERWISE SPECIFIED


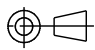
- INTERFACE PER MIL-STD-348, SERIES N, PIN CONTACT.
- MATERIAL SPECIFICATIONS:
 BODY, CLAMP BODY AND NUT: STAINLESS STEEL PER ASTM A582
 INSULATOR: TEFLON PER ASTM D1710
 GASKET: SILICONE RUBBER PER A-A-59588
 RETAINING RING: PHOSPHOR BRONZE PER ASTM B103
 REAR INSULATOR: PCPFE (KEL F)
 CENTER CONTACT AND SOLDER SLEEVE: BRASS PER ASTM B16
- FINISH SPECIFICATIONS:
 BODY & NUT & CLAMP BODY: PASSIVATE PER ASTM A967
 CENTER CONTACT: .000050 MIN GOLD PER ASTM B488 OVER
 CENTER CONTACT: .000050 MIN NICKEL PER AMS-QQ-N-290
 SOLDER SLEEVE: .00015 MIN GOLD PER ASTM B488 OVER .000080 MIN NICKEL PER AMS-QQ-N-290
- ELECTRICAL SPECIFICATIONS:
 IMPEDANCE: 50 OHMS
 FREQUENCY RANGE: DC TO 18GHz
 VOLTAGE RATING: 1000 VOLTS RMS
 VSWR: 1.20 MAX
- CONTACT, REAR INSULATOR, CLAMP BODY, GASKET AND SOLDER SLEEVE SHIPPED LOOSE.
- DESIGNED FOR USE WITH NORTHROP GRUMMAN NGC875BAT-1 OR IW 2801 CABLE.
- ASSEMBLE TO CABLE USING CABLING PROCEDURE CAP 6-07.
- CONNECTOR MEETS REQUIREMENTS OF THE DEFENSE FEDERAL ACQUISITION REGULATION AS STATED IN CLAUSE 252.225-7014, ALTERNATIVE 1.



ASSEMBLED VIEW



CATALOG P/N: 3395-600-NG401P

| | | | |
|--|---|-------------------------------|--|
| DO NOT SCALE DRAWING | DRAWN KPL | DATE 10/04/11 |  Winchester Interconnect 245 Lynnfield St. Peabody, MA 01960 |
| UNLESS OTHERWISE SPECIFIED: DIMENSIONS ARE IN INCHES | ENG APPR. DCAM | DATE 10/04/11 | |
| | MFG APPR. | DATE | |
| | OTHER APPR. | DATE | |
| TOLERANCES: FRACTIONS: $\pm 1/64$.XX: $\pm .01$.XXX: $\pm .005$ ANGLES: $\pm 1/2^\circ$ MACHINED SURFACES: $63/\checkmark$ | TITLE: 18 GHz N STRAIGHT CABLE PLUG SOLDER CLAMP ATTACHMENT (RoHS)(DFARS) | | SIZE B |
| THIRD ANGLE PROJECTION  | | DWG. NO. SD3395-600-NG401P | REV E |
| PER ASME Y14.5M-1994 | | SCALE: 1:1 | SHEET 1 OF 1 |

Mouser Electronics

Authorized Distributor

Click to View Pricing, Inventory, Delivery & Lifecycle Information:

[Winchester Interconnect:](#)

[3395-600-NG401P](#)