

NOTES: UNLESS OTHERWISE SPECIFIED
 1. INTERFACE PER MIL-STD-348, SERIES TNCA, PIN CONTACT.

2. MATERIAL SPECIFICATIONS:

BODY AND NUT: STAINLESS STEEL PER ASTM A582
 INSULATOR: TEFLON PER ASTM D1710
 GASKET: SILICONE RUBBER PER A-A-59588
 RETAINING RING: PHOSPHOR BRONZE PER ASTM B103
 REAR INSULATOR: PCPFE (KEL F)
 SOLDER SLEEVE: BRASS PER ASTM B16

3. FINISH SPECIFICATIONS:

BODY & NUT & CLAMP BODY: PASSIVATE PER ASTM A967
 CENTER CONTACT: .000050 MIN GOLD PER ASTM B488 OVER
 .000050 MIN NICKEL PER AMS-QQ-N-290
 SOLDER SLEEVE: .00015 MIN GOLD PER ASTM B488 OVER .000080 MIN NICKEL
 PER AMS-QQ-N-290

4. ELECTRICAL SPECIFICATIONS:

IMPEDANCE: 50 OHMS
 FREQUENCY RANGE: DC TO 18GHz
 VOLTAGE RATING: 1000 VOLTS RMS
 VSWR: 1.35 MAX (1 FOOT CABLE ASSY)

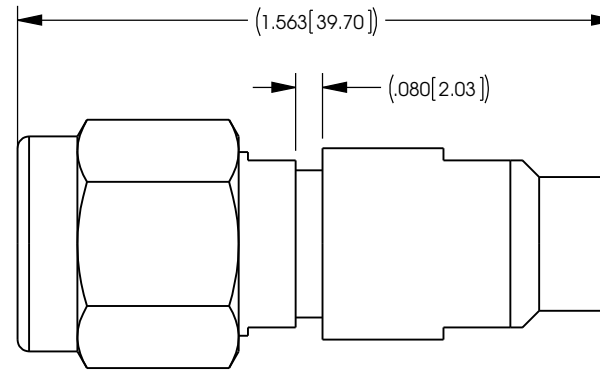
5. CONTACT, REAR INSULATOR, CLAMP BODY AND SOLDER SLEEVE SHIPPED LOOSE.

6. DESIGNED FOR USE WITH IW 2301 CABLE.

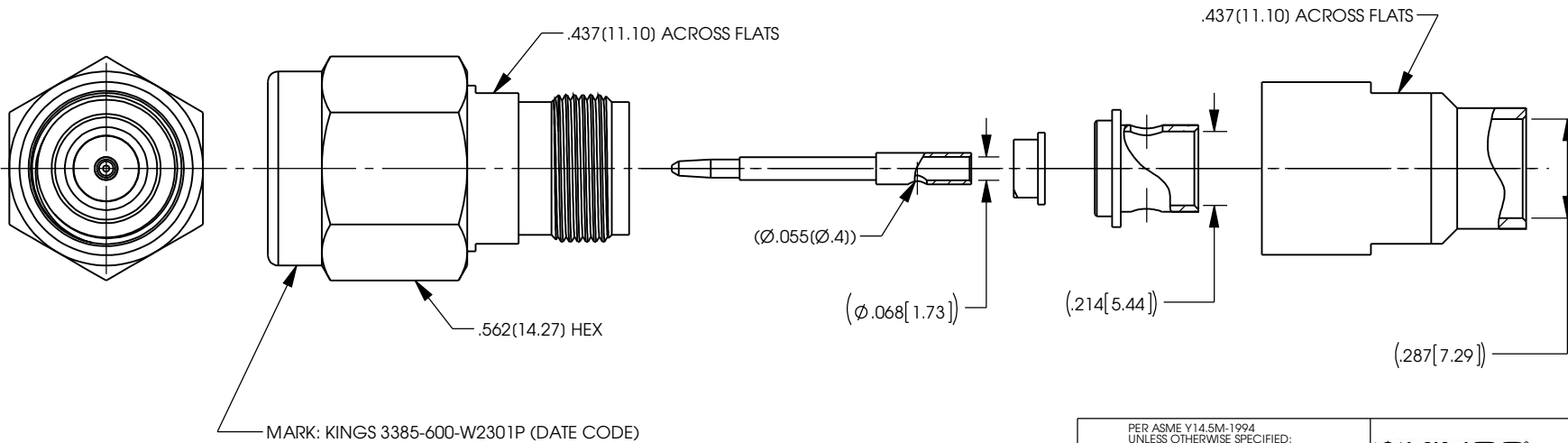
7. ASSEMBLE TO CABLE USING CABLING PROCEDURE CAP 6-07.

8. CONNECTOR MEETS REQUIREMENTS OF THE DEFENSE FEDERAL ACQUISITION
 REGULATION AS STATED IN CLAUSE 252.225-7014, ALTERNATIVE 1.

REV	DESCRIPTION	BY DATE	APPD
B	ER041910	KPL 05/18/12	DCom



ASSEMBLED VIEW



MARK: KINGS 3385-600-W2301P (DATE CODE)

CATALOG P/N: 3385-600-W2301P

PER ASME Y14.5M-1994 UNLESS OTHERWISE SPECIFIED: DIMENSIONS ARE IN INCHES (MM) TOLERANCES: DECIMAL: .XX (X.X) ± .01 (0.3) .XXX (X.XX) ± .005 (0.13) .XXXX (X.XXX) ± .XXXX ANGLES: ± 2° SCALE: 2:1		 by WINCHESTER Winchester Electronics Corporation 62 Barnes Industrial Road North Wallingford, Connecticut 06492	
CUSTOMER SALES DRAWING		THIRD ANGLE 	18GHz TNC STRAIGHT CABLE PLUG SOLDER CLAMP ATTACHMENT (RoHS) (DFARS)
DRAWN	DATE	APPROVED	DATE
DCom	08/12/11	JB	08/30/11
APPROVED	DATE	APPROVED	DATE
MS	08/30/11	JMURPHY	08/30/11
A	SD3385-600-W2301P	SHT	OF
		1	1
		REV	
			B

Mouser Electronics

Authorized Distributor

Click to View Pricing, Inventory, Delivery & Lifecycle Information:

[Winchester Interconnect:](#)

[3385-600-W2301P](#)