

NOTES: UNLESS OTHERWISE SPECIFIED
 1. INTERFACE PER MIL-STD-348,SERIES TNCA,PIN CONTACT .

2. MATERIAL SPECIFICATIONS:
 BODY AND NUT: STAINLESS STEEL PER ASTM A582
 INSULATOR: TEFLON PER ASTM D1710
 GASKET: SILICONE RUBBER PER A-A-59588
 RETAINING RING: PHOSPHOR BRONZE PER ASTM B103
 REAR INSULATOR: PCPFE (KEL F)
 SOLDER SLEEVE: BRASS PER ASTM B16

3. FINISH SPECIFICATIONS:
 BODY & NUT & CLAMP BODY: PASSIVATE PER ASTM A967
 CENTER CONTACT: .000050 MIN GOLD PER ASTM B488 OVER
 .000050 MIN NICKEL PER AMS-QQ-N-290
 SOLDER SLEEVE: .000015 MIN GOLD PER ASTM B488 OVER .000080 MIN NICKEL
 PER AMS-QQ-N-290

4. ELECTRICAL SPECIFICATIONS:
 IMPEDANCE: 50 OHMS
 FREQUENCY RANGE: DC TO 18GHz
 VOLTAGE RATING: 500 VOLTS RMS
 VSWR: 1.175 MAX
 INSERTION LOSS: .06 X $\sqrt{f(\text{GHz})}$

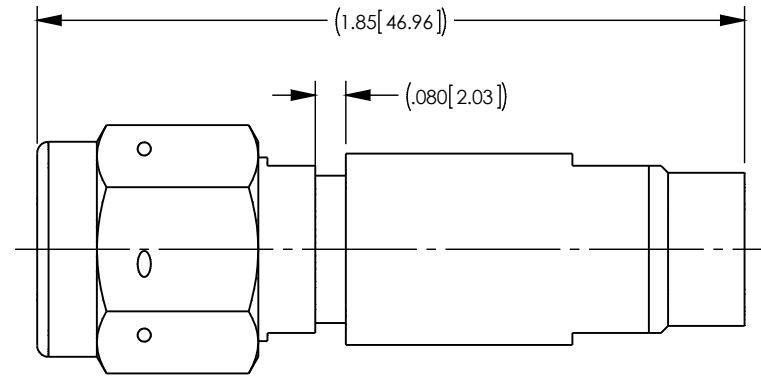
5. CONTACT, REAR INSULATOR, CLAMP BODY AND SOLDER SLEEVE SHIPPED LOOSE.

6. DESIGNED FOR USE WITH IW 1803 CABLE.

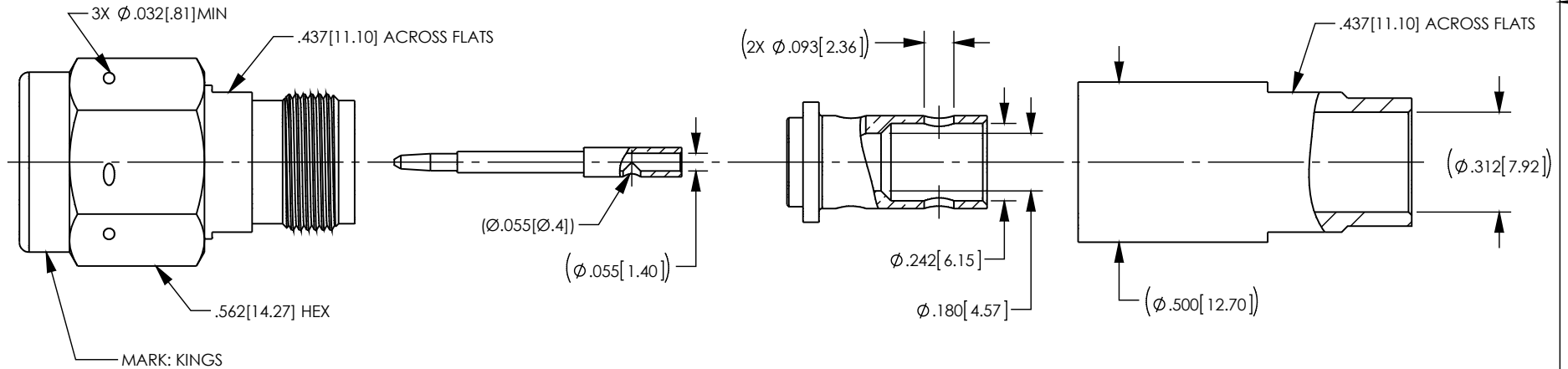
7. ASSEMBLE TO CABLE USING CABLING PROCEDURE CAP 6-11.

8. CONNECTOR MEETS REQUIREMENTS OF THE DEFENSE FEDERAL ACQUISITION
 REGULATION AS STATED IN CLAUSE 252.225-7014, ALTERNATIVE 1.

| REV | DESCRIPTION | BY | DATE | APPD |
|-----|--|----|----------|------|
| C | MARK UPDATED WITH KINGS PER ER055689 | CV | 11/19/14 | DCAM |



ASSEMBLED VIEW



CATALOG P/N: 3385-600-W1902P

| | | | | | |
|--|----------|----------------------------------|---|---|----|
| PER ASME Y14.5M-1994 UNLESS OTHERWISE SPECIFIED: DIMENSIONS ARE IN INCHES [MM] TOLERANCES: DECIMAL: .XX [X.X] ± .01 [0.3] .XXX [X.XX] ± .005 [0.13] .XXXX [X.XXXX] ± .XXXX | | by WINCHESTER ELECTRONICS | | Winchester Electronics Corporation 62 Barnes Industrial Road North Wallingford, Connecticut 06492 | |
| ANGLES: ± 2° | | SCALE: 2:1 | | THIRD ANGLE | |
| CUSTOMER SALES DRAWING | | | 18GHz TNC STRAIGHT CABLE PLUG SOLDER CLAMP ATTACHMENT W/ LOCKWIRE HOLES (RoHS) (DFARS) | | |
| DRAWN | DATE | APPROVED | DATE | SHT | OF |
| MR | 06/05/12 | LH | 06/11/12 | 1 | 1 |
| APPROVED | DATE | APPROVED | DATE | REV | |
| DCAM | 06/05/12 | XXX | XX/XX/XX | A | C |

Mouser Electronics

Authorized Distributor

Click to View Pricing, Inventory, Delivery & Lifecycle Information:

[Winchester Interconnect:](#)

[3385-600-W1902P](#)