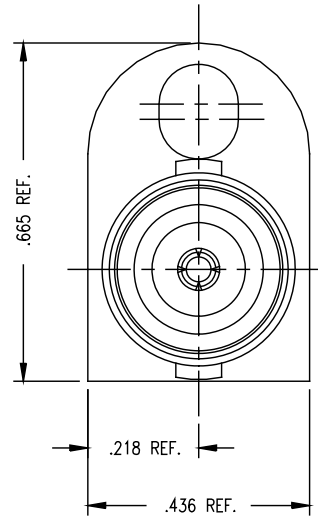
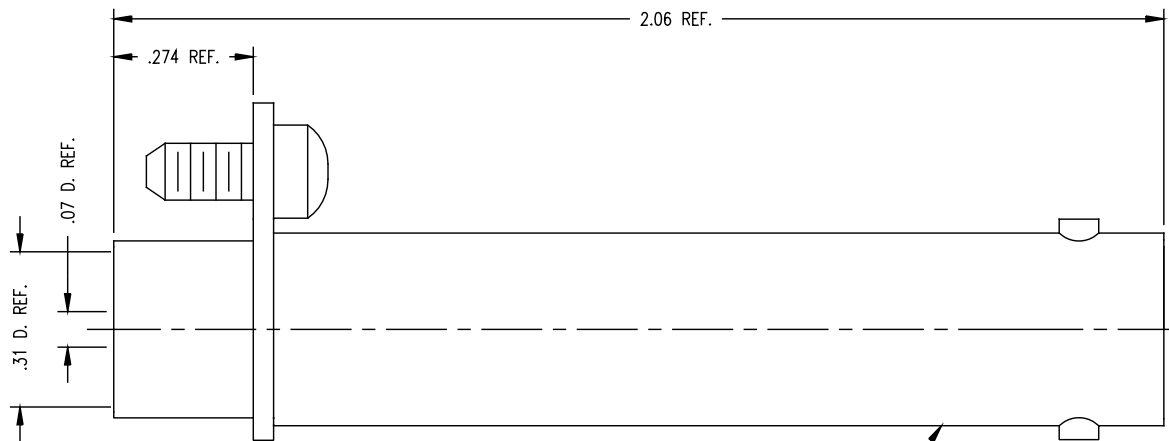


| | | |
|----------|--------|-----------|
| DASH NO. | W CODE | MADE FROM |
|----------|--------|-----------|

GSD

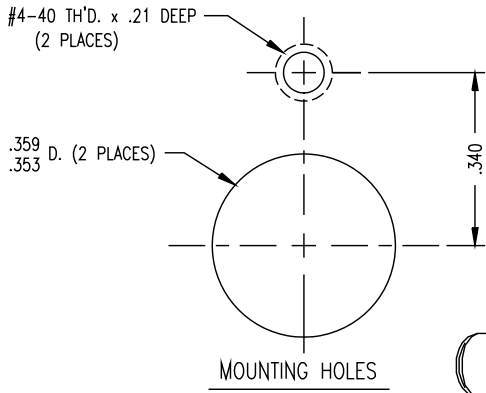
7772-1

| REVISIONS | |
|-----------|----------------------------|
| ISSUE | CHANGES |
| 3 | ER 39013 DCT 3/1/4 |
| 4 | CN 39245 C JLA 03/16/05 |
| 5 | CN 39653 E HVN 10/04/06 |
| 6 | CN 39772 C HVN 02/01/07 |



STAMP: KINGS 7772-1
YRWK (DATE CODE)

- NOTES:
- BNC INTERFACE ES-17, FIG. 5.
 - MATERIALS:
 - INSULATORS-MITSUI TPX, RT18 OR EQUIVALENT
 - SPRING CONTACT
 - BNC CONTACT F } BER. COP., ASTM-B-196
 - VIDEO CONTACT F }
 - HARDWARE-ZINC PLATED MACHINE SCREW
 - ALL OTHER METAL PARTS-BRASS, ASTM-B16
 - FINISHES:
 - CENTER CONTACT-HARD GOLD PLATE PER MIL-G-45204
OVER NICKEL PLATE PER QQ-N-290
 - SPRING CONTACT-GOLD PLATE PER ASTM-B488
 - HARDWARE-PASSIVATE PER QQ-P-35
 - ALL OTHER METAL PARTS-KINGS TARNISH RESISTANT FINISH (TR-5)
 - ELECTRIAL CHARACTERISTICS:
 - NOMINAL IMPEDANCE-75 OHMS
 - FREQUENCY RANGE- 2.4 GHZ



MOUNTING HOLES

GSD

7772-1 SD

| | |
|---|----------------|
| SCALE | 4:1 |
| APPROX SURFACE AREA | |
| WAS: | E-20178 |
| USED ON | |
| REF: | EQR 448 |
| ADAPTER, F-F, PANEL, MINIATURE, BNC TO VIDEO | |
| DRAWN | DCT DATE 2/7/4 |
| DESIGN | DCT DATE 9/5/3 |
| APPR. | DATE |
| ROCK HILL, SOUTH CAROLINA 29730 | |

7772-1

Mouser Electronics

Authorized Distributor

Click to View Pricing, Inventory, Delivery & Lifecycle Information:

[Winchester Interconnect:](#)

[7772-1-1](#)