

NOTES: UNLESS OTHERWISE SPECIFIED
 1. INTERFACE PER MIL-STD-348,SERIES TNCA,PIN CONTACT .

2. MATERIAL SPECIFICATIONS:
 BODY AND NUT: STAINLESS STEEL PER ASTM A582
 INSULATOR: TEFLON PER ASTM D1710
 GASKET: SILICONE RUBBER PER A-A-59588
 RETAINING RING: PHOSPHOR BRONZE PER ASTM B103
 REAR INSULATOR: PCPFE (KEL F)
 SOLDER SLEEVE: BRASS PER ASTM B16

3. FINISH SPECIFICATIONS:
 RETAINING RING: .000050 MIN NICKEL PER AMS-QQ-N-290
 OVER .000050 MIN COPPER PER ASTM B734
 BODY & NUT & CLAMP BODY: PASSIVATE PER ASTM A967
 CENTER CONTACT: .000050 MIN GOLD PER ASTM B488 OVER
 .000050 MIN NICKEL PER AMS-QQ-N-290
 SOLDER SLEEVE: .000015 MIN GOLD PER ASTM B488 OVER .000080 MIN NICKEL
 PER AMS-QQ-N-290

4. ELECTRICAL SPECIFICATIONS:
 IMPEDANCE: 50 OHMS
 FREQUENCY RANGE: DC TO 18GHz
 VOLTAGE RATING: 500 VOLTS RMS
 VSWR: 1.175 MAX
 INSERTION LOSS: .03 X $\sqrt{f(\text{GHz})}$ dB MAX

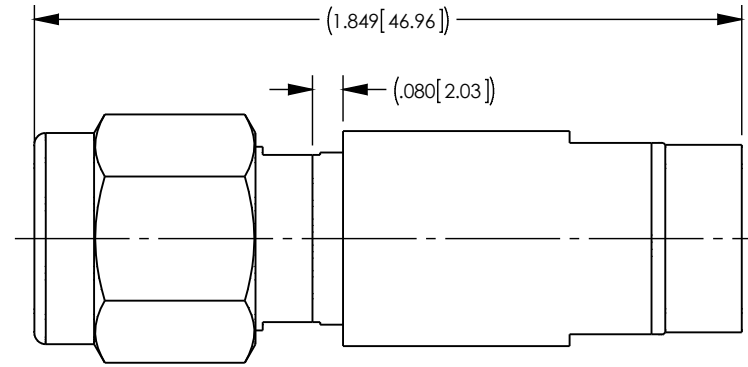
5. CONTACT, REAR INSULATOR, CLAMP NUT AND SOLDER SLEEVE SHIPPED LOOSE.

6. DESIGNED FOR USE WITH IW 2803 CABLE.

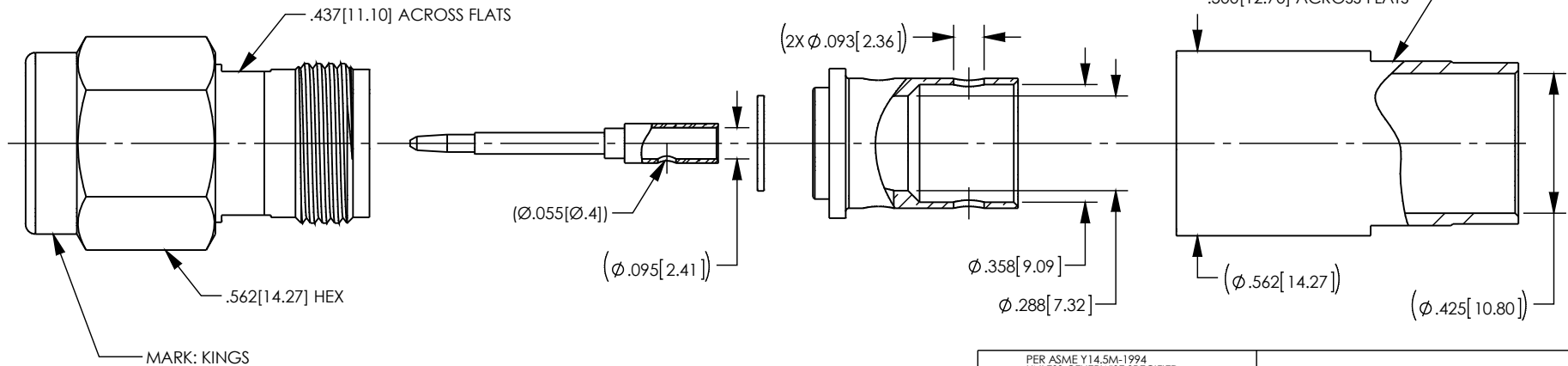
7. ASSEMBLE TO CABLE USING CABLING PROCEDURE CAP 6-12.

8. CONNECTOR MEETS REQUIREMENTS OF THE DEFENSE FEDERAL ACQUISITION
 REGULATION AS STATED IN CLAUSE 252.225-7014, ALTERNATIVE 1.

REV	DESCRIPTION	BY DATE	APPD
B	MARK UPDATED WITH KINGS PER ERO55689	11/20/14 CY	Dcam



ASSEMBLED VIEW



CATALOG P/N: 3385-600-W8301P

PER ASME Y14.5M-1994 UNLESS OTHERWISE SPECIFIED: DIMENSIONS ARE IN INCHES [MM] TOLERANCES: DECIMAL: .XX [X.X] ± .01 [0.3] .XXX [X.XX] ± .005 [0.13] .XXXX [X.XXX] ± .XXXX ANGLES: ± 2° SCALE: 2:1		 by WINCHESTER ELECTRONICS Winchester Electronics Corporation 62 Barnes Industrial Road North Wallingford, Connecticut 06492	
CUSTOMER DRAWING		THIRD ANGLE 	
18GHz TNC STRAIGHT CABLE PLUG SOLDER CLAMP ATTACHMENT (RoHS) (DFARS)			
DRAWN	DATE	APPROVED	DATE
COL	02/22/12	Dcam	02/23/12
APPROVED	DATE	APPROVED	DATE
XXX	XX/XX/XX	XXX	XX/XX/XX
A	sd3385-600-w8301p	SHT OF	REV
		1 1	B

Mouser Electronics

Authorized Distributor

Click to View Pricing, Inventory, Delivery & Lifecycle Information:

[Winchester Interconnect:](#)

[3385-600-W8301P](#)