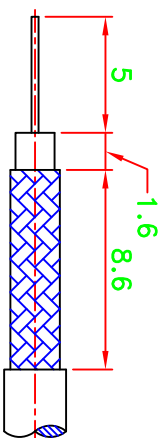
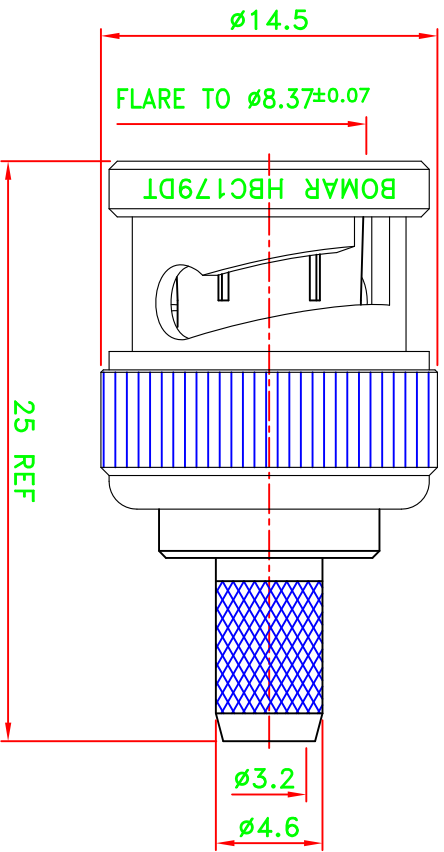
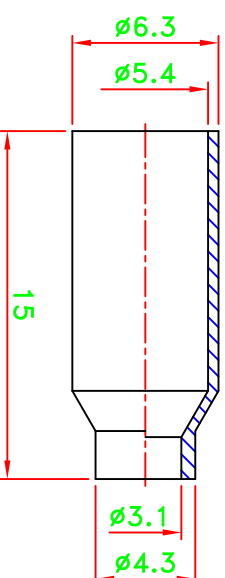
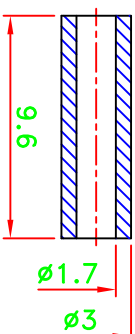
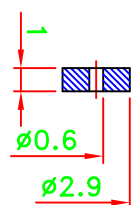
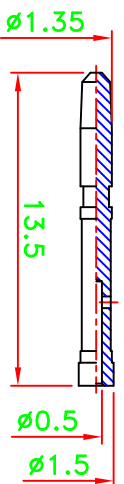


REV	DESCRIPTION\PER REQUEST	DRAWN	DATE
C	Shell material change to Zinc, finish change to Black(E.D)	Wen	02/09/11



RECOMMENDED
CABLE STRIPPING DIM'S



NO	Description	Qty	Material	Finish
11	Ferrule	1	Brass	Nickel
10	Ferrule	1	Brass	Nickel
9	Dielectric	1	Teflon	None
8	Shell	1	Zinc	Black(E.D)
7	Gasket	1	Rubber	Red
6	Retaining ring	1	SK-5	Nickel
5	Spring	1	SK-5	Nickel
4	Washer	1	Brass	Nickel
3	Dielectric	1	Teflon	None
2	Pin	1	Brass	Gold
1	Body	1	Brass	Nickel

BC-10158B

PART NO. HBC179DT

APPROVED DATE 02/09/11

CHECKED DATE 02/09/11

DRAWN DATE 02/09/11

Wen

* MAJOR DIMENSION
UNLESS OTHERWISE
NOTED TOLERANCES
0.5-6 = ±0.2
6-30 = ±0.4
30-120 = ±0.6
120-315 = ±1.0
ANGLES = ±1°

SCALE 3/1 UNIT mm

Bomar Interconnect Products, Inc

TITLE BNC MALE CRIMP 4GHZ

DRAWING NO. ASBNC-13096-75-TGN

FILE NO. W:\P\Y\AS\ASBNC\ASBNC-13096-75-TGN Whichaester->20160615

Mouser Electronics

Authorized Distributor

Click to View Pricing, Inventory, Delivery & Lifecycle Information:

[Winchester Interconnect:](#)

[HBC179DT](#)