

Electrical Specifications

Impedance	50 OHM
Frequency Range	DC - 3 GHz

Mechanical Specifications

Durability	500 Cycles Min
Mount	Surface
Temperature Range	-65° C to 165° C
Mating	Snap On



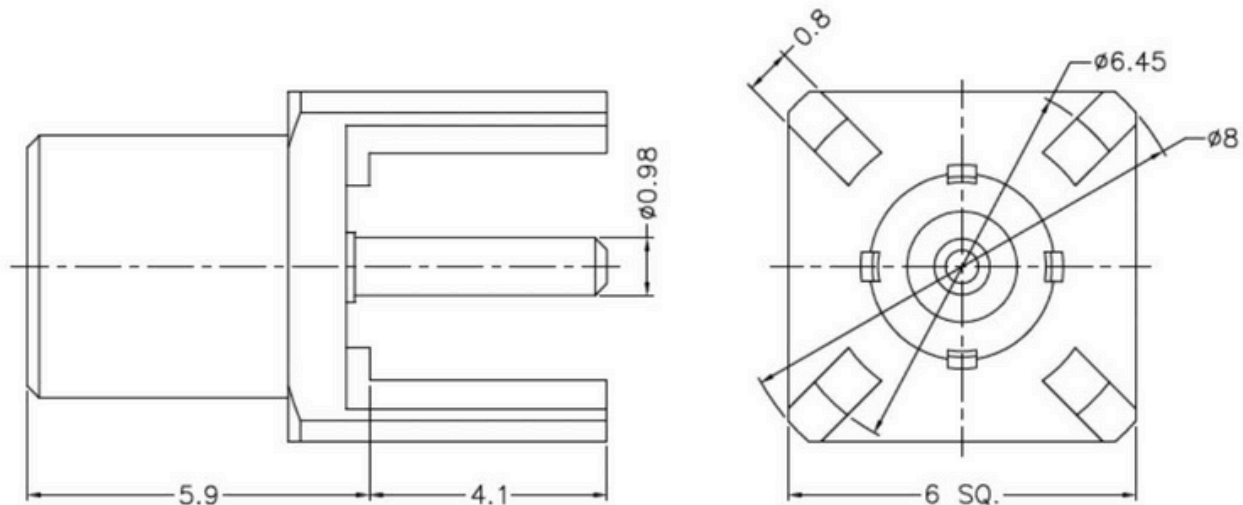
[Click:
To Request A Quote
To Check Distributor's Inventory
For More Non-Magnetic Information](#)

Material Specifications

Body	Brass
Outer/Center	Brass
Contacts Insulator	PTFE
Ferrule	Brass
Finish	3 Min Gold Microninch Over 50 Microninch Copper

Mechanical Dimensions

All dimensions are in millimeters



Mouser Electronics

Authorized Distributor

Click to View Pricing, Inventory, Delivery & Lifecycle Information:

[Winchester Interconnect:](#)

[360A-060-00402Z](#)