

(2.54 mm) .100"

TS, TD, HTS SERIES

# PRECISION MACHINED TERMINAL STRIPS

## SPECIFICATIONS

For complete specifications see [www.samtec.com?TS](http://www.samtec.com?TS), [www.samtec.com?TD](http://www.samtec.com?TD) or [www.samtec.com?HTS](http://www.samtec.com?HTS)

**Insulator Material:**  
Black G.F. Polyester (TS, TD)  
Black Liquid Crystal Polymer (HTS)

**Terminal Material:**  
Brass, except Style G is Phosphor Bronze

**Plating:**  
Au over 50 μ" (1.27 μm) Ni or Sn over 100 μ" (2.54 μm) Cu or 50 μ" (1.27 μm) Ni

**Operating Temp Range:**  
-55 °C to +125 °C with Gold  
-55 °C to +105 °C with Tin

**RoHS Compliant:**  
Yes

**Lead-Free Solderable:**

HTS: Yes  
TS, TD: No, Lead Wave Only

## RECOGNITIONS

For complete scope of recognitions see [www.samtec.com/quality](http://www.samtec.com/quality)



Mates with:  
SS, SD, HSS, SL,  
SDL, ESS, ESD

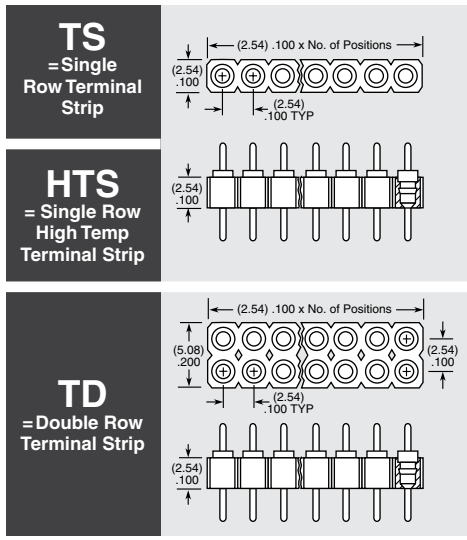
TYPE STRIP

1

NO. PINS PER ROW

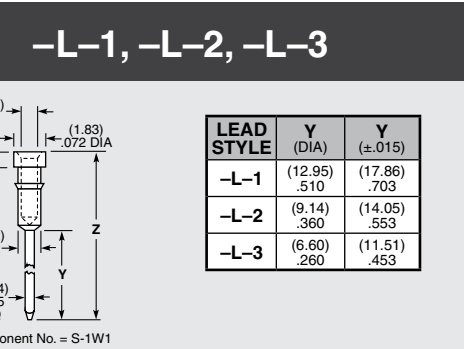
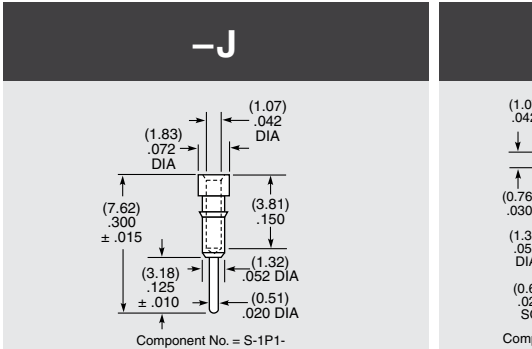
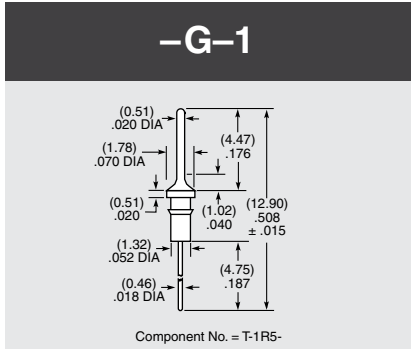
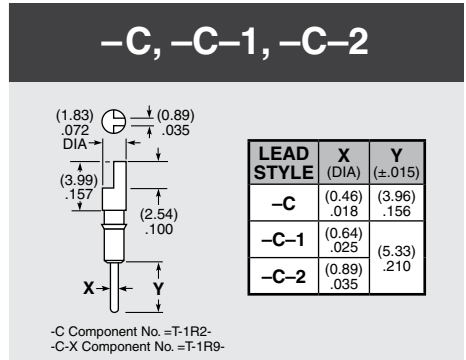
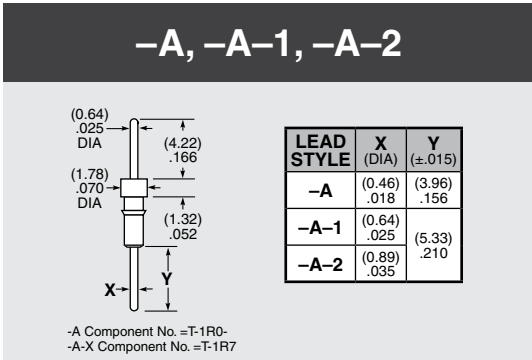
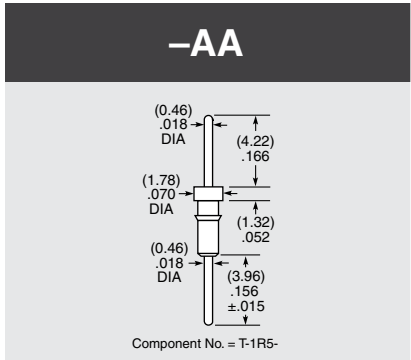
PLATING OPTION

LEAD STYLE



- G**  
= 20 μ" (0.51 μm) Gold  
Except -J & -L are 10 μ" (0.25 μm) Gold
- T**  
= Tin
- 01 thru 32**  
=TS Series
- 01 thru 36**  
=HTS & TD Series

**Note:**  
Some lengths, styles and options are non-standard, non-returnable.



# Mouser Electronics

Authorized Distributor

Click to View Pricing, Inventory, Delivery & Lifecycle Information:

[Samtec:](#)

[TS-112-T-A](#)