

(2.54 mm) .100"

TS, TD, HTS SERIES

PRECISION MACHINED TERMINAL STRIPS

SPECIFICATIONS

For complete specifications see www.samtec.com?TS, www.samtec.com?TD or www.samtec.com?HTS

Insulator Material:
Black G.F. Polyester (TS, TD)
Black Liquid Crystal Polymer (HTS)

Terminal Material:
Brass, except Style G is Phosphor Bronze

Plating:
Au over 50 μ" (1.27 μm) Ni or Sn over 100 μ" (2.54 μm) Cu or 50 μ" (1.27 μm) Ni

Operating Temp Range:
-55 °C to +125 °C with Gold
-55 °C to +105 °C with Tin

RoHS Compliant:
Yes

Lead-Free Solderable:

HTS: Yes
TS, TD: No, Lead Wave Only

RECOGNITIONS

For complete scope of recognitions see www.samtec.com/quality



Mates with:
SS, SD, HSS, SL,
SDL, ESS, ESD

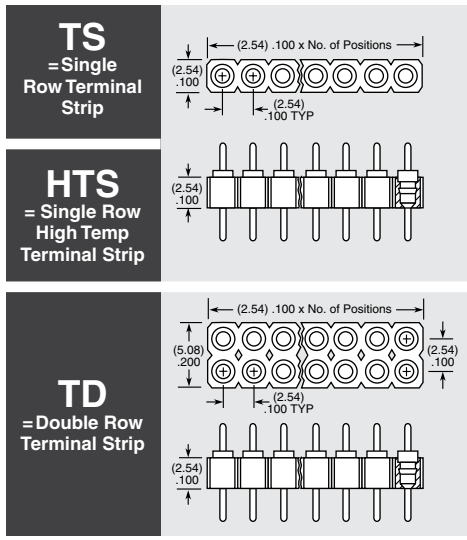
TYPE STRIP

1

NO. PINS PER ROW

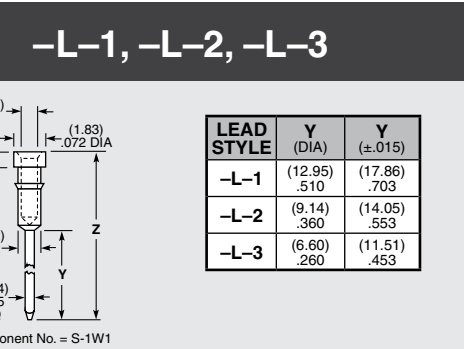
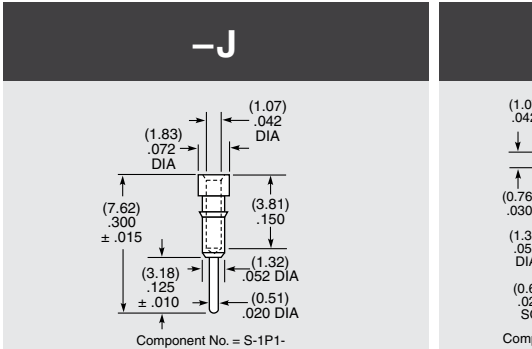
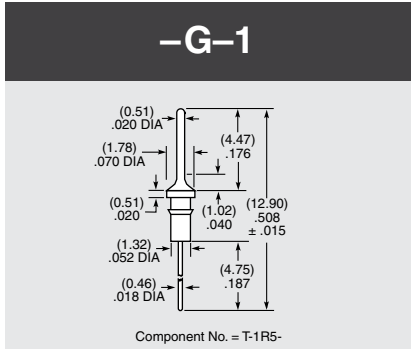
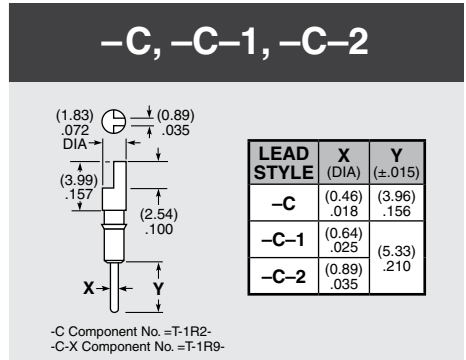
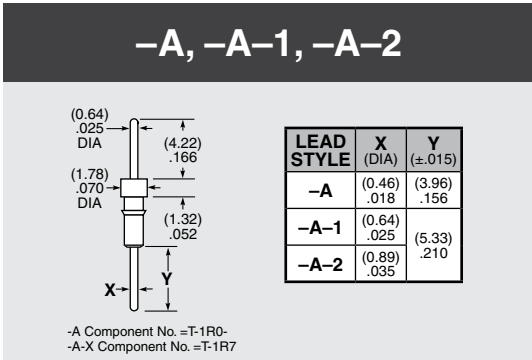
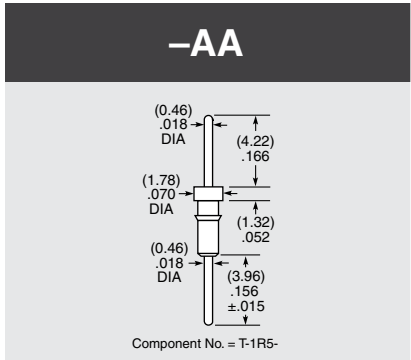
PLATING OPTION

LEAD STYLE



- G**
= 20 μ" (0.51 μm) Gold
Except -J & -L are 10 μ" (0.25 μm) Gold
- T**
= Tin
- 01 thru 32**
= TS Series
- 01 thru 36**
= HTS & TD Series

Note:
Some lengths, styles and options are non-standard, non-returnable.



Mouser Electronics

Authorized Distributor

Click to View Pricing, Inventory, Delivery & Lifecycle Information:

[Samtec:](#)

[TS-132-T-AA](#)