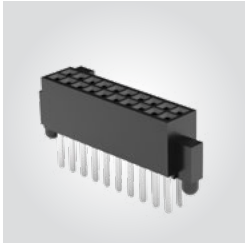
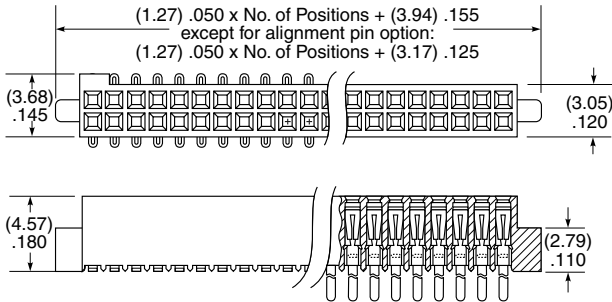
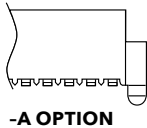


**(1.27 mm) .050" PITCH • COST-EFFECTIVE HEADER/SOCKET**

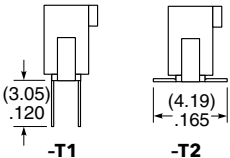
SFC	1	NO. PINS PER ROW	LEAD STYLE	PLATING OPTION	D	OPTIONS
		04, 05, 10, 15, 20, 25, 30, 35, 40, 45, 50 (Standard sizes)	-T1 = Through-hole Tiger Eye™ LITE  -T2 = Surface Mount Tiger Eye™ LITE	-F = Gold flash on contact, Matte Tin on tail  -L = 10 μ" (0.25 μm) Gold on contact, Matte Tin on tail		-A = Alignment Pin  -K = (4.00 mm) .157" DIA Polyimide film Pick & Place Pad  -TR = Tape & Reel (-T2 only)  -FR = Full Reel Tape & Reel (must order max. quantity per reel; contact Samtec for quantity breaks) (-T2 only)

**SFC**  
Board Mates:  
TFC  
Cable Mates:  
TFS, TFSDT



**-A OPTION**

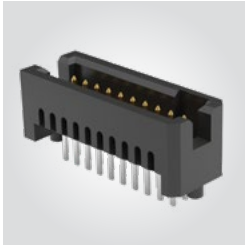
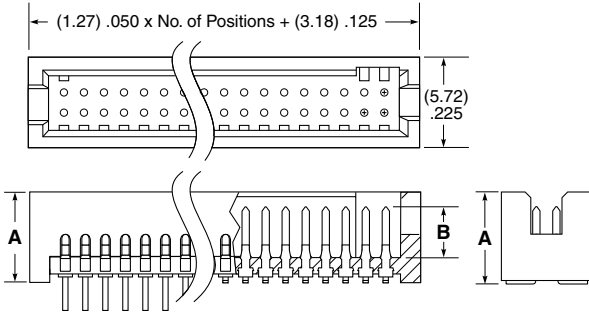


**-T1**      **-T2**

View complete specifications at: [samtec.com?SFC](http://samtec.com?SFC)

TFC	1	NO. PINS PER ROW	LEAD STYLE	PLATING OPTION	D	OPTIONS
		03, 04, 06, 08 (Lead Style -01 & -02 only)  05, 07, 10, 15, 20, 25, 30, 35, 40, 45, 50 (Standard sizes)	-X1 = Through-hole  -X2 = Surface Mount	-F = Gold flash on post, Matte Tin on tail  -L = 15 μ" (0.38 μm) Gold on post, Matte Tin on tail		-RA = Right-angle (-01 only)  -A = Alignment Pin  -LC = Locking Clip (Manual Placement required) (not available with -RA)  -K = (6.75 mm) .266" DIA Polyimide film Pick & Place Pad (not available with -RA)  -P = Plastic Pick & Place Pad (5 positions min.) (not available with -RA)  -TR = Tape & Reel (-X2 only) (not available with -RA)  -FR = Full Reel Tape & Reel (must order max. quantity per reel; contact Samtec for quantity breaks) (-X2 only) (not available with -RA)

**TFC**  
Board Mates:  
SFC  
Cable Mates:  
SFS, SFSDT

SMT LEAD STYLE	A	B	TH LEAD STYLE	A	B
-02	(5.72) .225	(3.38) .133	-01	(5.59) .220	(3.38) .133
-12	(7.49) .295		-11	(7.37) .290	
-22	(9.27) .365	(3.30) .130	-21	(9.14) .360	(3.30) .130
-32	(11.18) .440		-31	(11.05) .435	

View complete specifications at: [samtec.com?TFC](http://samtec.com?TFC)

**Note:**  
Some lengths, styles and options are non-standard, non-returnable.

# Mouser Electronics

Authorized Distributor

Click to View Pricing, Inventory, Delivery & Lifecycle Information:

[Samtec:](#)

[TFC-120-01-F-D](#)