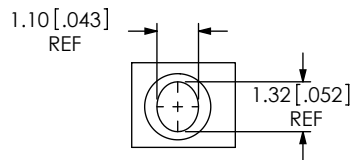
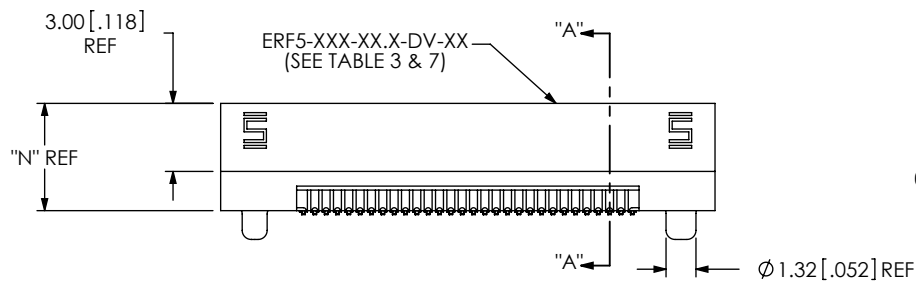
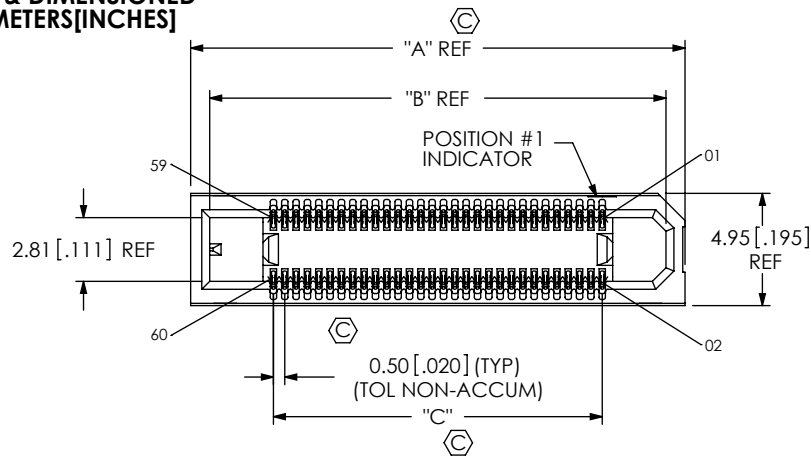


DO NOT
SCALE FROM
THIS PRINT



DETAIL 'D'
SCALE 5:1

| No. OF POS. | |
|------------------------------|--------------|
| -005, -010, -020, -030, -040 | 0.10 [0.004] |
| -050, -060, -070, -075 | 0.13 [0.005] |

| ERF5 LEAD STYLE | ERM5 LEAD STYLE | | |
|-----------------------|-----------------|--------|--------|
| | -02.0 | -04.0 | -05.0 |
| -05.0 | 7.0MM | 9.0MM | 10.0MM |
| -07.0 | 9.0MM | 11.0MM | 12.0MM |

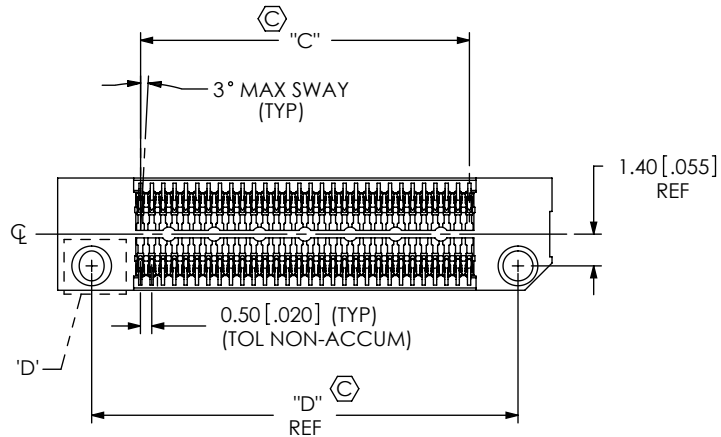


FIG 1
ERF5-030-05.0-X-DV-XX SHOWN

ERF5-XXX-XX.X-X-DV-XX-TR

No OF POSITIONS
(PER ROW)

- 005, -010, -020,
- 030, -040, -050,
- 060, -070, -075

LEAD STYLE

- 05.0 = 5MM
- 07.0 = 7MM

PLATING SPECIFICATION

- L: 10µ" SELECTIVE GOLD IN CONTACT AREA, MATTE TIN TAIL
- S: 30µ" SELECTIVE GOLD IN CONTACT AREA, MATTE TIN TAIL

PACKAGING

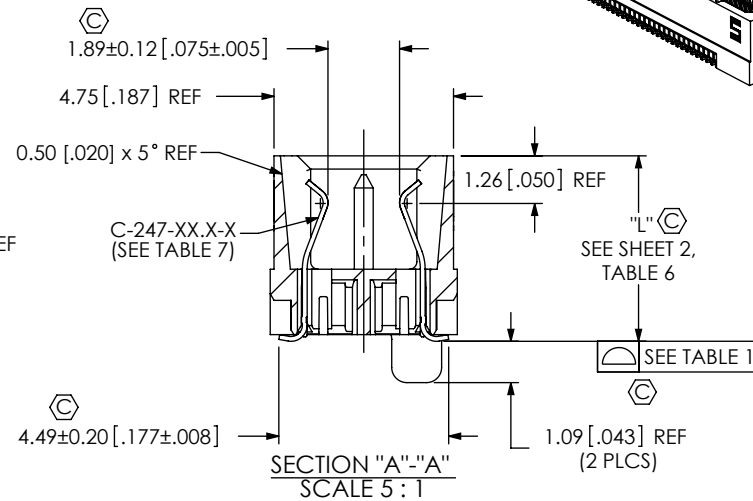
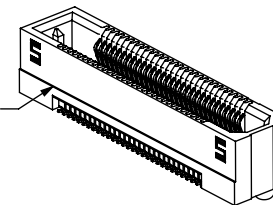
- TR: TAPE & REEL (SEE NOTE 5)

OPTION

- K: POLYIMIDE FILM PAD
- FL: FRICTION LOCK (OPTION INCLUDES A WELD TAB) (ONLY AVAILABLE UP TO 30 POSITIONS) (FOR MATING WITH ERM5...DV...-FL)
- WT: WELD TAB

ROW SPECIFICATION

- DV: DOUBLE VERTICAL



NOTES:

1. REPRESENTS A CRITICAL DIMENSION.
2. MAXIMUM BURR ALLOWANCE: 0.038 [0.015]
3. MINIMUM CONTACT PUSHOUT FORCE: 1.6 N [0.4 LB]. MINIMUM WELD TAB PUSHOUT FORCE: 4.45 N [1 LB]
4. DELETED
5. FOR QUANTITIES UP TO 49 PIECES, NO LEADER, TRAILER, OR REEL WILL BE SUPPLIED. FOR QUANTITIES 50-124, NO LEADER, OR TRAILER WILL BE SUPPLIED

UNLESS OTHERWISE SPECIFIED,
DIMENSIONS ARE IN
MILLIMETERS [INCHES].
TOLERANCES ARE:
DECIMALS ANGLES
X.X: ±0.3 [0.1] 2°
X.XX: ±0.13 [0.005]
X.XXX: ±0.050 [0.0020]

PROPRIETARY NOTE

THIS DOCUMENT CONTAINS INFORMATION
CONFIDENTIAL AND PROPRIETARY TO
SAMTEC, INC. AND SHALL NOT BE REPRODUCED
OR TRANSFERRED TO OTHER DOCUMENTS OR
DISCLOSED TO OTHERS OR USED FOR ANY
PURPOSE OTHER THAN THAT WHICH IT WAS
OBTAINED WITHOUT THE EXPRESSED WRITTEN
CONSENT OF SAMTEC, INC.



520 PARK EAST BLVD, NEW ALBANY, IN 47150
PHONE: 812-944-6733 FAX: 812-948-5047
e-Mail: info@SAMTEC.com code 55322

MATERIAL: DO NOT SCALE DRAWING
INSULATOR: LCP, COLOR: BLACK
CONTACT: BeCu

SHEET SCALE: 2:1

DESCRIPTION:
0.5MM EDGE RATE SOCKET ASSEMBLY

DWG. NO.
ERF5-XXX-XX.X-X-DV-XX

BY: CLAY W 09-23-2010 SHEET 1 OF 3

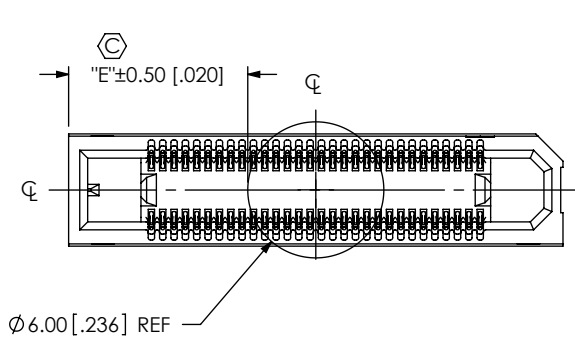


FIG 2
-K OPTION
(USE K-DOT-.236-.343-.005)
ERF5-030-05.0-X-DV-K SHOWN

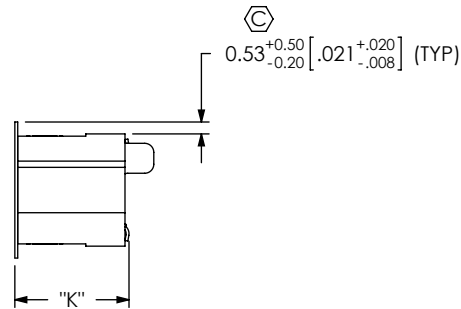
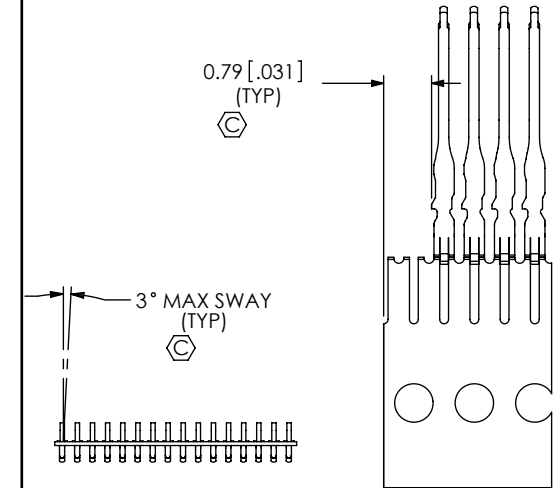


TABLE 6

| LEAD STYLE | "K" | "L" | "N" |
|------------|--------------|--------------|--------------|
| -05.0 | 5.03 [0.198] | 4.91 [0.193] | 4.73 [0.186] |
| -07.0 | 7.03 [0.277] | 6.91 [0.272] | 6.73 [0.265] |



IN PROCESS 1
CUT C-247-XX.X-X CONTACT COMBS
(ALL TAILS SAME DIRECTION)

TABLE 3

| POSITION | "A" | "B" | "C" | "D" |
|----------|---------------|---------------|---------------|---------------|
| -005 | 9.30 [0.366] | 7.62 [0.300] | 2.00 [0.079] | 6.30 [0.248] |
| -010 | 11.80 [0.465] | 10.12 [0.398] | 4.50 [0.177] | 8.80 [0.346] |
| -020 | 16.80 [0.661] | 15.12 [0.595] | 9.50 [0.374] | 13.80 [0.543] |
| -030 | 21.80 [0.858] | 20.12 [0.792] | 14.50 [0.571] | 18.80 [0.740] |
| -040 | 26.80 [1.055] | 25.12 [0.989] | 19.50 [0.768] | 23.80 [0.937] |
| -050 | 31.80 [1.252] | 30.12 [1.186] | 24.50 [0.965] | 28.80 [1.134] |
| -060 | 36.80 [1.449] | 35.12 [1.383] | 29.50 [1.161] | 33.80 [1.331] |
| -070 | 41.80 [1.646] | 40.12 [1.580] | 34.50 [1.358] | 38.80 [1.528] |
| -075 | 44.30 [1.744] | 42.62 [1.678] | 37.00 [1.457] | 41.30 [1.626] |

TABLE 9

| POSITION | "E" | | | | | |
|----------|-------|---------|-------|---------|-------|---------|
| | -K | | -K-WT | | -K-FL | |
| -005 | 1.65 | [0.065] | 3.15 | [0.124] | 3.15 | [0.124] |
| -010 | 2.90 | [0.114] | 4.40 | [0.173] | 4.40 | [0.173] |
| -020 | 5.40 | [0.213] | 6.90 | [0.271] | 6.90 | [0.271] |
| -030 | 7.90 | [0.311] | 9.40 | [0.370] | 9.40 | [0.370] |
| -040 | 10.40 | [0.409] | 11.90 | [0.469] | | |
| -050 | 12.90 | [0.508] | 14.40 | [0.567] | | |
| -060 | 15.40 | [0.606] | 16.90 | [0.665] | | |
| -070 | 17.90 | [0.705] | 19.40 | [0.764] | | |
| -075 | 19.15 | [0.754] | 20.65 | [0.813] | | |

PROPRIETARY NOTE
THIS DOCUMENT CONTAINS INFORMATION
CONFIDENTIAL AND PROPRIETARY TO
SAMTEC, INC. AND SHALL NOT BE REPRODUCED
OR TRANSFERRED TO OTHER DOCUMENTS OR
DISCLOSED TO OTHERS OR USED FOR ANY
PURPOSE OTHER THAN THAT WHICH IT WAS
OBTAINED WITHOUT THE EXPRESSED WRITTEN
CONSENT OF SAMTEC, INC.

DO NOT SCALE DRAWING

SHEET SCALE: 2:1

samtec

520 PARK EAST BLVD. NEW ALBANY, IN 47150
PHONE: 812-944-6733 FAX: 812-948-5047
e-Mail: info@SAMTEC.com code 55322

DESCRIPTION:
0.5MM EDGE RATE SOCKET ASSEMBLY

DWG. NO.
ERF5-XXX-XX.X-X-DV-XX

BY: CLAY W 09-23-2010 SHEET 2 OF 3

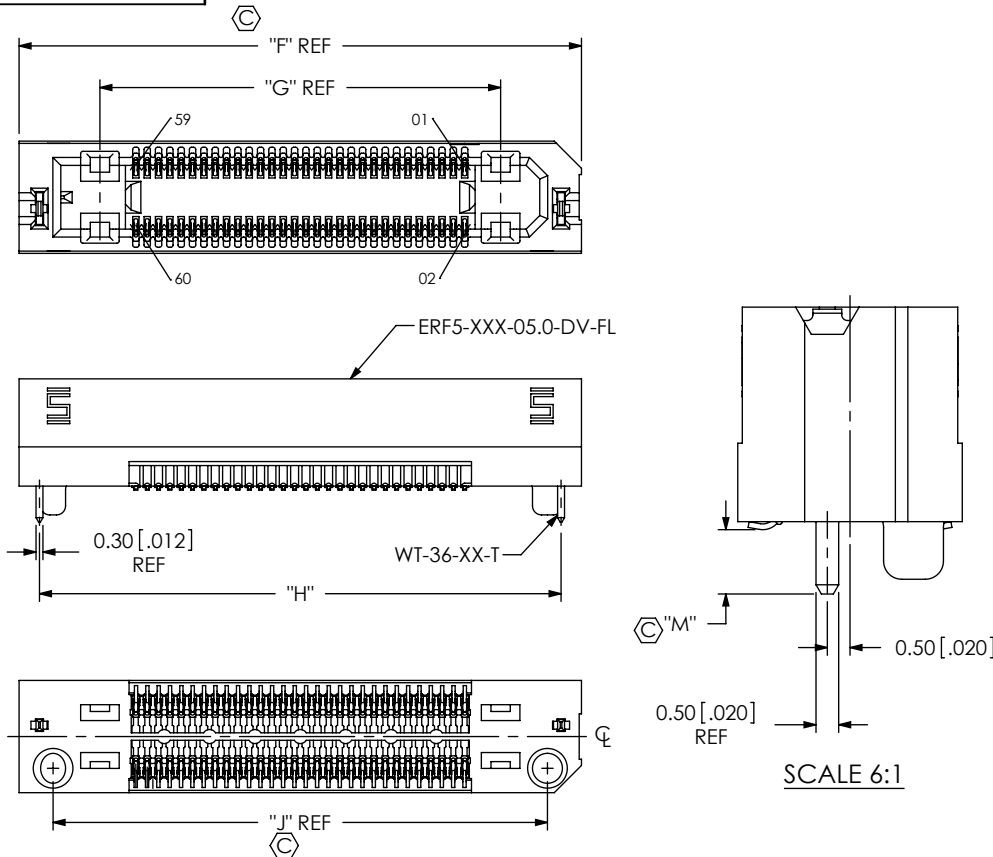


FIG 3
ERF5-030-05.0-X-DV-FL SHOWN
(SAME AS FIG 1 EXCEPT AS SHOWN)
(OPTION INCLUDES A WELD TAB, ONLY AVAILABLE UP TO 30 POSITIONS)

| LEAD STYLE | ERF5-XXX-XX.X-DV-XX | C-247-XX.X-X | WT-36-XX-T | "M" |
|------------|---------------------|--------------|------------|--------------|
| -05.0 | ERF5-XXX-05.0-DV-XX | C-247-05.0-X | WT-36-01-T | 1.42 [0.056] |
| -07.0 | ERF5-XXX-07.0-DV-XX | C-247-07.0-X | WT-36-03-T | 1.27 [0.050] |

| POSITION | "F" | "G" | "H" | "J" |
|----------|---------------|---------------|---------------|---------------|
| -005 | 12.30 [0.484] | 5.17 [0.204] | 10.50 [0.413] | 9.30 [0.366] |
| -010 | 14.80 [0.583] | 7.67 [0.302] | 13.00 [0.512] | 11.80 [0.465] |
| -020 | 19.80 [0.780] | 12.67 [0.499] | 18.00 [0.709] | 16.80 [0.661] |
| -030 | 24.80 [0.976] | 17.67 [0.696] | 23.00 [0.906] | 21.80 [0.858] |
| -040 | 29.80 [1.173] | 22.67 [0.893] | 28.00 [1.102] | 26.80 [1.055] |
| -050 | 34.80 [1.370] | 27.67 [1.089] | 33.00 [1.299] | 31.80 [1.252] |
| -060 | 39.80 [1.567] | 32.67 [1.286] | 38.00 [1.496] | 36.80 [1.449] |
| -070 | 44.80 [1.764] | 37.67 [1.483] | 43.00 [1.693] | 41.80 [1.646] |
| -075 | 47.30 [1.862] | 40.17 [1.581] | 45.50 [1.791] | 44.30 [1.744] |

| POSITION | "F" | "H" | "J" |
|----------|---------------|---------------|---------------|
| -005 | 12.30 [0.484] | 10.50 [0.413] | 9.30 [0.366] |
| -010 | 14.80 [0.583] | 13.00 [0.512] | 11.80 [0.465] |
| -020 | 19.80 [0.780] | 18.00 [0.709] | 16.80 [0.661] |
| -030 | 24.80 [0.976] | 23.00 [0.906] | 21.80 [0.858] |
| -040 | 29.80 [1.173] | 28.00 [1.102] | 26.80 [1.055] |
| -050 | 34.80 [1.370] | 33.00 [1.299] | 31.80 [1.252] |
| -060 | 39.80 [1.567] | 38.00 [1.496] | 36.80 [1.449] |
| -070 | 44.80 [1.764] | 43.00 [1.693] | 41.80 [1.646] |
| -075 | 47.30 [1.862] | 45.50 [1.791] | 44.30 [1.744] |

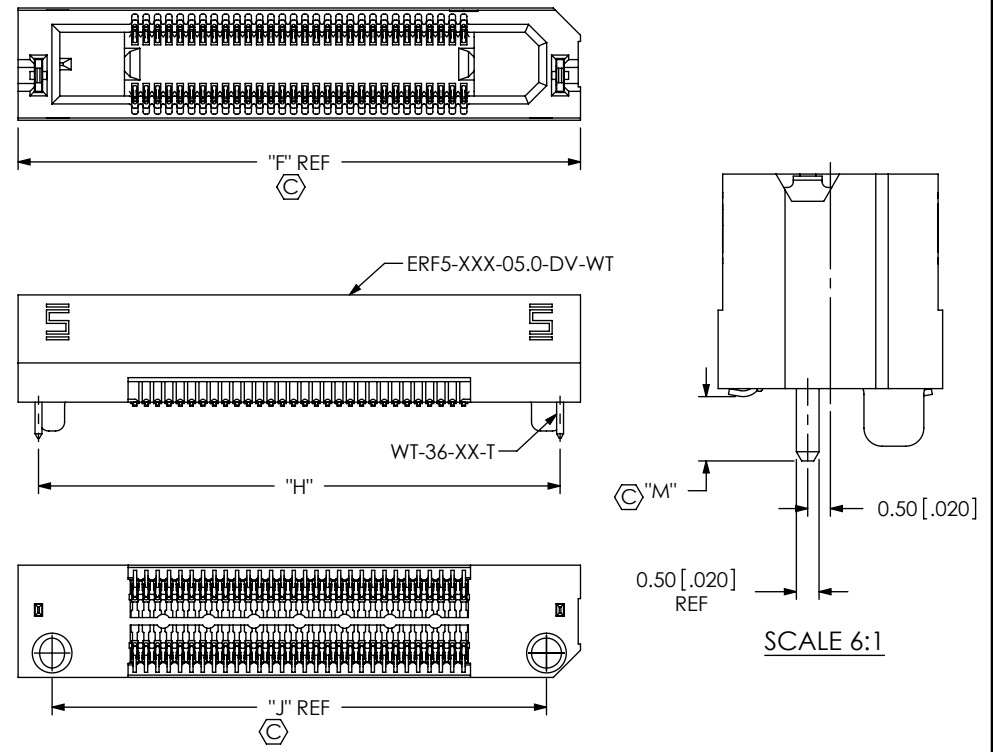


FIG 4
ERF5-030-05.0-X-DV-WT SHOWN
(SAME AS FIG 3 EXCEPT AS SHOWN)

PROPRIETARY NOTE
THIS DOCUMENT CONTAINS INFORMATION
CONFIDENTIAL AND PROPRIETARY TO
SAMTEC, INC. AND SHALL NOT BE REPRODUCED
OR TRANSFERRED TO OTHER DOCUMENTS OR
DISCLOSED TO OTHERS OR USED FOR ANY
PURPOSE OTHER THAN THAT WHICH IT WAS
OBTAINED WITHOUT THE EXPRESSED WRITTEN
CONSENT OF SAMTEC, INC.

DO NOT SCALE DRAWING

SHEET SCALE: 2:1

samtec

520 PARK EAST BLVD, NEW ALBANY, IN 47150
PHONE: 812-944-6733 FAX: 812-948-5047
e-Mail: info@SAMTEC.com code 55322

DESCRIPTION:
0.5MM EDGE RATE SOCKET ASSEMBLY

DWG. NO.
ERF5-XXX-XX.X-X-DV-XX

BY: CLAY W 09-23-2010 SHEET 3 OF 3

Mouser Electronics

Authorized Distributor

Click to View Pricing, Inventory, Delivery & Lifecycle Information:

[Samtec:](#)

[ERF5-060-05.0-S-DV-TR](#)