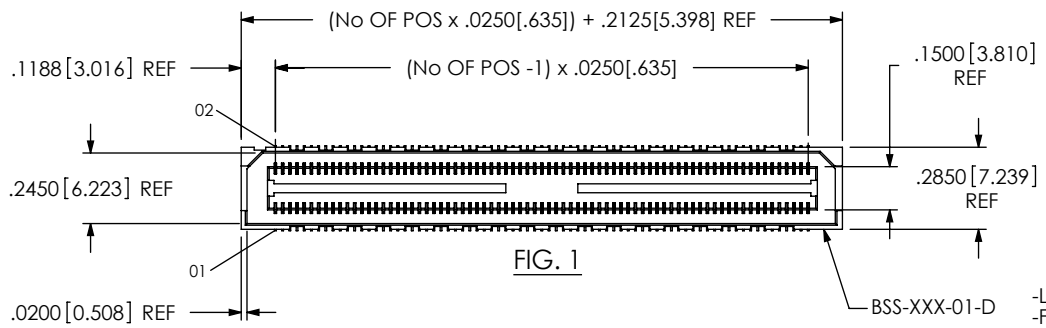


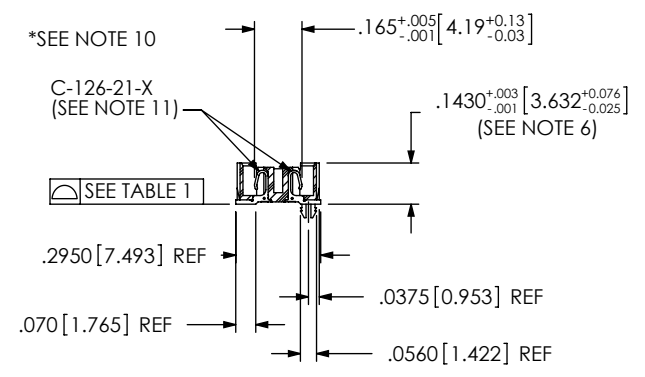
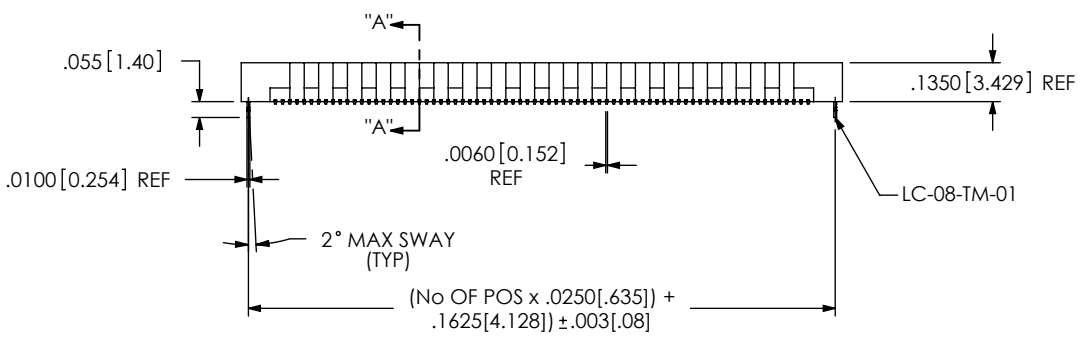
REVISION Q

DO NOT SCALE FROM THIS PRINT

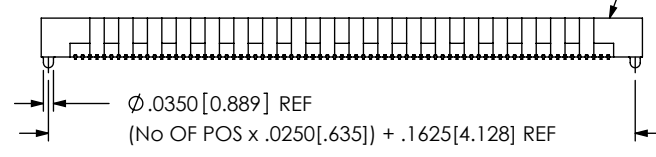
BSS-XXX-01-X-D-XX



- No OF POSITIONS**
 -.025, -.050, -.075, *-100, *-125, *-150 (PER ROW)
- LEAD STYLE**
 -01
- OPTION**
 -A: ALIGNMENT PINS (USE BSS-XXX-01-D-A)
 -LC: LOCKING CLIPS (USE LC-08-TM-01)
 -TR: TAPE & REEL (100 POS MAX)
- ROW SPECIFICATION**
 -D: DOUBLE (USE BSS-XXX-01-D)
- PLATING SPECIFICATION**
 -L: LIGHT SELECTIVE GOLD W/ MATTE TIN TAILS (USE C-126-21-L) (SEE NOTE 9 & 11)
 -F: FLASH SELECTIVE GOLD W/ MATTE TIN TAILS (USE C-126-21-F) (SEE NOTE 7,9 & 11)
 -H: HEAVY GOLD (USE C-126-21-H) (SEE NOTE 11)
 -C: ELECTRO-POLISHED SELECTIVE (USE C-126-21-C. SEE NOTE 11)



-LC: LOCKING CLIP OPTION SHOWN

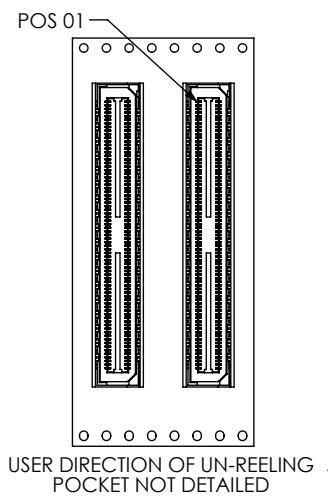


-A: ALIGNMENT PIN OPTION SHOWN

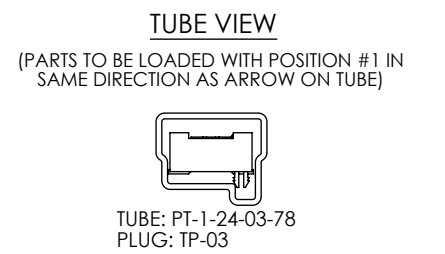
TABLE 1

No OF POS	COPLANARITY
-025 THRU -075	.0040 [.102]
-100 THRU -150	.0060 [.152]

- NOTES:**
1. REPRESENTS A CRITICAL DIMENSION.
 2. NOTE DELETED.
 3. BURR ALLOWANCE: .0015 [.038] MAX.
 4. MINIMUM PUSHOUT FORCE: .5 LB.
 5. NOTE DELETED.
 6. MAX VARIANCE OF .002 [.51].
 7. -L PLATING CAN BE SUBSTITUTED FOR-F PLATING.
 8. RIBBED SIDEWALLS AT SAMTEC DISCRETION.
 9. MAY SUBSTITUTE C-126-01-X FOR C-126-21-X.
 10. FOR NEW APPLICATIONS REQUIRING THESE POSITIONS, PLEASE CONTACT SAMTEC INTERCONNECT PROCESSING GROUP.
 11. -100, -125 AND -150 POSITION PARTS USE C-269-11-X. DO NOT SUB C-126-XX-X.



TAPE & REEL VIEW



UNLESS OTHERWISE SPECIFIED, DIMENSIONS ARE IN INCHES. TOLERANCES ARE:
 DECIMALS ANGLES
 .XX: ±.01 [.3]
 .XXX: ±.005 [.13]
 .XXXX: ±.0020 [.051]

PROPRIETARY NOTE
 THIS DOCUMENT CONTAINS INFORMATION CONFIDENTIAL AND PROPRIETARY TO SAMTEC, INC. AND SHALL NOT BE REPRODUCED OR TRANSFERRED TO OTHER DOCUMENTS OR DISCLOSED TO OTHERS OR USED FOR ANY PURPOSE OTHER THAN THAT WHICH IT WAS OBTAINED WITHOUT THE EXPRESSED WRITTEN CONSENT OF SAMTEC, INC.

520 PARK EAST BLVD. NEW ALBANY, IN 47150
 PHONE: 812-944-6733 FAX: 812-948-5047
 e-Mail: info@SAMTEC.com code: 55322

DESCRIPTION:
 .635mm DOUBLE ROW SOCKET ASSEMBLY

DWG. NO.
 BSS-XXX-01-X-D-XX

BY: DEAN P 06/23/1999 **SHEET 1 OF 1**

Mouser Electronics

Authorized Distributor

Click to View Pricing, Inventory, Delivery & Lifecycle Information:

[Samtec:](#)

[BSS-050-01-F-D](#)