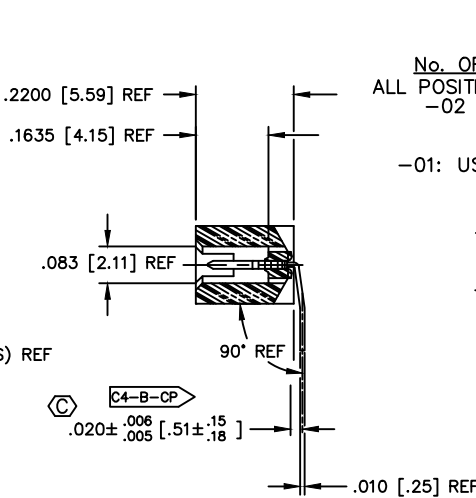
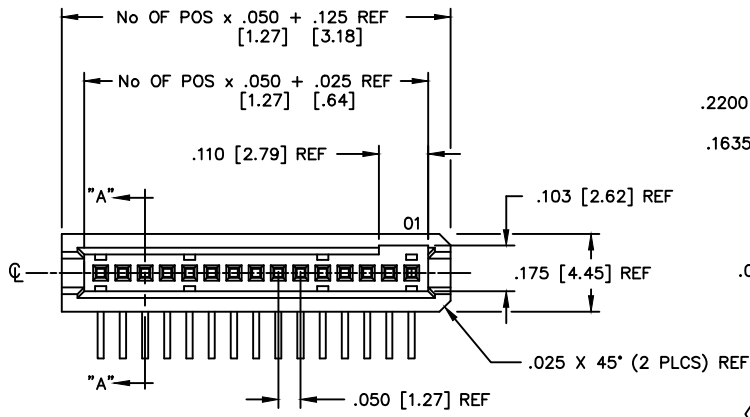


REVISION K

DO NOT SCALE FROM THIS PRINT

DIMENSIONS ARE IN INCHES		UNLESS OTHERWISE NOTED	TOLERANCES ARE:	TITLE: .050 C.L. SINGLE ROW, RA SHROUDED TERMINAL STRIP	DWG NO: TFM-1XX-XX-X-S-RA
ONE PLACE DECIMALS: ± .1 [2.54]	THREE PLACE DECIMALS: ± .005 [.127]		ANGLES ± 2°		
TWO PLACE DECIMALS: ± .01 [.254]	FOUR PLACE DECIMALS: ± .0020 [.051]				SHEET OF



TFM-1XX-XX-X-S-RA

No. OF POSITIONS
ALL POSITIONS AVAILABLE
-02 THRU -50

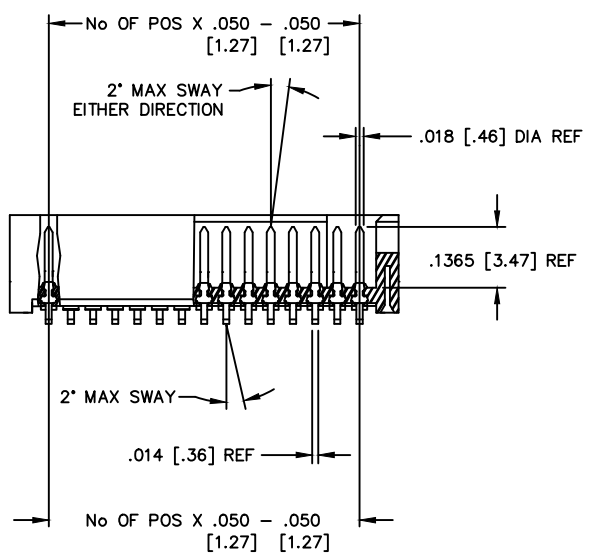
LEAD STYLE
-01: USE T-1R16-02-X

OPTIONS
-RA: RIGHT ANGLE

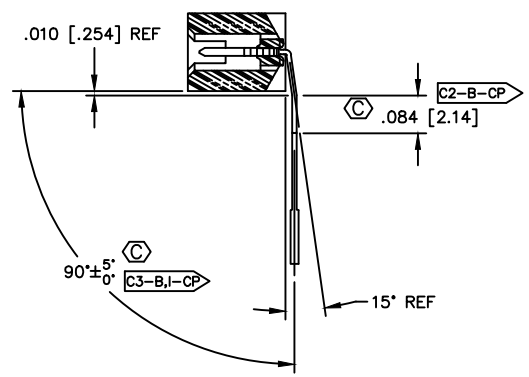
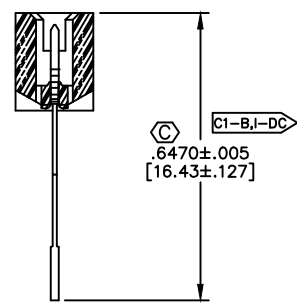
BODY SPECIFICATION
-S: SINGLE ROW
(USE TFM-XX-S-01)

PLATING SPECIFICATIONS
-L: 10 μ" SELECTIVE GOLD IN CONTACT AREA, MATTE TIN ON TAIL
-S: 30 μ" SELECTIVE GOLD IN CONTACT AREA, MATTE IN ON TAIL

ASSEMBLY OPERATION	IN-PROCESS INSPECTION
FILL T-1R16-02-X	C1
FORM T-1R16-02-X	C2, C3, C4



SECTION 'A-A'

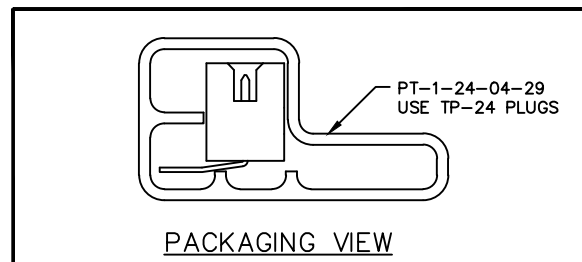


IN-PROCESS 1

IN-PROCESS 2

- NOTES:
- ⊙ REPRESENTS CRITICAL DIMENSION.
 - [] DIMENSIONS ARE IN MILLIMETERS.
 - MEASURED FROM BEND.
 - .003 [.08] MAXIMUM TERMINAL BURR
 - .005 [.13] MAXIMUM HEIGHT VARIATION BETWEEN ANY TWO PINS.
 - MINIMUM LOCKING CLIP RETENTION TO BE 8 OZS.
 - PARTS TO BE PACKAGED IN TUBES.

PROPRIETARY NOTE
THIS DOCUMENT CONTAINS INFORMATION CONFIDENTIAL AND PROPRIETARY TO SAMTEC INC. AND SHALL NOT BE REPRODUCED OR TRANSMITTED TO OTHER DOCUMENTS OR DISCLOSED TO OTHERS OR USED FOR ANY PURPOSE OTHER THAN THAT FOR WHICH IT WAS OBTAINED WITHOUT THE EXPRESS WRITTEN CONSENT OF SAMTEC INC.



PACKAGING VIEW

MISC/MKTG
TFM-1XX-XX-X-S-RA

samtec

520 PARK EAST BLVD. NEW ALBANY, INDIANA 47150
PHONE (812) 944-6733 P.O. BOX 1147
CODE 55322

MADE BY: KEVIN BRATCHER 5-21-93
CHECKED BY: ECKERT

ENGINEER APPROVAL
PAE

TFM-1XX-XX-X-S-RA
SHEET OF

Mouser Electronics

Authorized Distributor

Click to View Pricing, Inventory, Delivery & Lifecycle Information:

[Samtec:](#)

[TFM-116-01-L-S-RA](#) [TFM-150-01-L-S-RA](#)