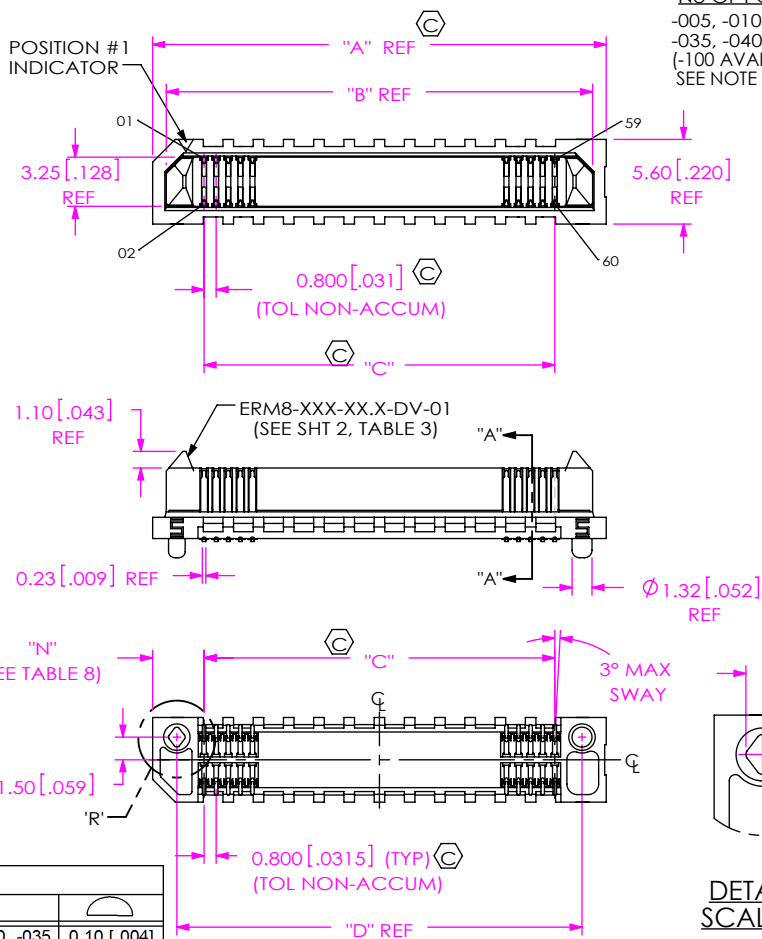


**DESIGNED AND DIMENSIONED
IN MILLIMETERS [INCHES]**

ERM8-XXX-XX.X-X-DV-XXXX-XX

DO NOT
SCALE FROM
THIS PRINT



No OF POSITIONS (PER ROW)
 -005, -010, -011, -013, -020, -025, -030, -035, -040, -049, -050, -060, -070, -075, -100 (-100 AVAILABLE ON -09.0 LEAD STYLE ONLY SEE NOTE 8)

LEAD STYLE
 -02.0 = 2mm (SEE NOTE 9)
 -05.0 = 5mm
 -08.0 = 8mm
 -09.0 = 9mm

PLATING SPECIFICATION
 -L: 10µ" LIGHT SELECTIVE GOLD IN CONTACT AREA, MATTE TIN ON TAIL
 -S: 30µ" SELECTIVE GOLD IN CONTACT AREA, MATTE TIN ON TAIL

ROW SPECIFICATION
 -DV: DOUBLE VERTICAL

PACKAGING
 -TR: TAPE & REEL (SEE NOTES 4, 7 & 9)
 -LEAVE BLANK FOR TRAY: (SEE NOTE 7)

OPTIONS
 -K: POLYIMIDE FILM PAD (SEE NOTE 9) (SEE FIG 2, SHT 3) (USE K-DOT-.157-.250-.005)
 -DS: DIFFERENTIAL PAIR (HOT SWAP) (SEE FIG 3, SHT 2) (AVAILABLE ONLY ON -05.0 LEAD STYLE) (SEE TABLE 4 FOR POSITION AVAILABILITY)
 -L: LATCHES (SEE FIG 4, SHT 3) (AVAILABLE ONLY ON -05.0 & -09.0) (SEE TABLE FOR AVAILABILITY) (SEE TABLE 3, SHT 2) (NOT AVAILABLE WITH -EGP & -EGPS OPTIONS)
 ** -S: SHIELD (SEE FIG 8, SHT 5) (NOT AVAILABLE WITH -EGP & -EGPS) (AVAILABLE ONLY ON -02.0 LEAD STYLE)
 -EGP: EXTENDED GUIDE POSTS (SEE FIG 5, SHT 3) (AVAILABLE ONLY ON -05.0 LEAD STYLE) (NOT AVAILABLE WITH -L OPTION)
 -EGPS: EXTENDED GUIDE POST SHIELD (AVAILABLE ON -05.0 LEAD STYLE, -010, -020, -025, & -030 POS ONLY) (AVAILABLE ON -09.0 LEAD STYLE, **-010, **-020, -025, & **-030 POS ONLY) (NOT AVAILABLE WITH -L OPTION) (SEE NOTE 10)
 -DSP: -DS OPTION WITH -EGP: (-13 & -25 POS ONLY)
 -DSS: -DS OPTION WITH -EGPS: (10 & 25 POS ONLY)
 -P: PICK AND PLACE PAD (AVAILABLE ON -02.0 AND -05.0 LEAD STYLES ONLY) (-020 THRU -075 POSITIONS USE PPP-87) (SEE TABLE 12, SHT 6) (-005 THRU -013 POSITIONS USE PPP-88) (SEE TABLE 12, SHT 6)

** = NOT RELEASED FOR PRODUCTION

NOTES:

- ∅ REPRESENTS A CRITICAL DIMENSION.
- MAXIMUM BURR ALLOWANCE: 0.038 [.0015]
- MINIMUM PUSHOUT FORCE: TERMINAL 2.22 N [.5 LB.], WELD TAB 4.45 N [1 LB.]
- FOR QUANTITY UP TO 49 PIECES, NO LEADER, TRAILER, OR EIA-481-D REEL WILL BE SUPPLIED. FOR QUANTITY OF 50-124 PIECES, NO LEADER OR TRAILER WILL BE SUPPLIED.
- "F" DIMENSION DOES NOT APPLY TO -EGP & -EGPS OPTION, SEE FIG. 5 & 6.
- NOTE DELETED.
- TR PACKAGING NOT AVAILABLE ON THE 100 POSITION; -TY PACKAGING ONLY AVAILABLE ON -100 POSITION.
- NOT AVAILABLE WITH -L, -EGP & -EGPS OPTIONS.
- LEAD STYLE -02.0 WITH -K-TR OPTIONS AVAILABLE TO EXISTING CUSTOMERS ONLY.
- FOR EGPS-K-TR COMBINATIONS LEAVE THE ZERO OFF THE FRONT OF THE LEAD STYLE CALLOUT.

DETAIL 'R'
SCALE 4 : 1

TABLE 1

No. OF POS.	
-005, -010, -011, -013, -020, -025, -030, -035	0.10 [.004]
-040, -049, -050, -060	0.12 [.005]
-070, -075, -100	0.15 [.006]

FIG 1
(ERM8-030-02.0-X-DV-XX SHOWN)
(SOME CENTER FEATURES REMOVED FOR CLARITY)

TABLE 2 (REF)

ERM8 LEAD STYLE	STACK HEIGHT		
	ERF8 LEAD STYLE		
	-05.0	-07.0	***-10.0
-02.0	7.0MM	9.0MM	12.0MM
-05.0	10.0MM	12.0MM	15.0MM
-08.0	13.0MM	15.0MM	18.0MM
-09.0	14.0MM	16.0MM	19.0MM

(*** = NOT TOOLED)

TABLE 8

OPTION	"N"
NONE	3.40 [.134]
-L, -EGP	4.90 [.193]

TABLE 6

HEIGHT	"E"	"F"	"G"	"U"	"AB"
-02.0	1.605 [0.0632]	5.965 [0.2348]	5.04 [0.198]	6.765 [0.266]	6.16 [0.242]
-05.0	4.605 [0.1813]	8.905 [0.3506]	7.98 [0.314]	9.765 [0.384]	9.16 [0.360]
-08.0	7.605 [0.2994]	11.905 [0.4687]	10.98 [0.432]	12.765 [0.503]	N/A
-09.0	8.605 [0.3388]	12.905 [0.5081]	11.98 [0.472]	13.765 [0.542]	N/A

TABLE 5

POSITION	"A"	"B"	"C"	"D"	"H"
-005	10.00 [0.394]	8.20 [0.323]	3.200 [0.1260]	6.80 [0.268]	3.00 [0.118]
-010	14.00 [0.551]	12.20 [0.480]	7.200 [0.2835]	10.80 [0.425]	5.00 [0.197]
-011	14.80 [0.583]	13.00 [0.512]	8.000 [0.3150]	11.60 [0.457]	5.40 [0.213]
-013	16.40 [0.646]	14.60 [0.575]	9.600 [0.3780]	13.20 [0.520]	6.20 [0.244]
-020	22.00 [0.866]	20.20 [0.795]	15.200 [0.5984]	18.80 [0.740]	9.00 [0.354]
-025	26.00 [1.024]	24.20 [0.953]	19.200 [0.7559]	22.80 [0.898]	11.00 [0.433]
-030	30.00 [1.181]	28.20 [1.110]	23.200 [0.9134]	26.80 [1.055]	13.00 [0.512]
-035	34.00 [1.339]	32.20 [1.268]	27.200 [1.0709]	30.80 [1.213]	15.00 [0.591]
-040	38.00 [1.496]	36.20 [1.425]	31.200 [1.2283]	34.80 [1.370]	17.00 [0.669]
-049	45.20 [1.780]	43.40 [1.709]	38.400 [1.5118]	42.00 [1.654]	20.60 [0.811]
-050	46.00 [1.811]	44.20 [1.740]	39.20 [1.543]	42.80 [1.685]	21.00 [0.827]
-060	54.00 [2.126]	52.20 [2.055]	47.20 [1.858]	50.80 [2.000]	25.00 [0.984]
-070	62.00 [2.441]	60.20 [2.370]	55.20 [2.173]	58.80 [2.315]	29.00 [1.142]
-075	66.00 [2.598]	64.20 [2.528]	59.20 [2.331]	62.80 [2.472]	31.00 [1.220]
-100	86.00 [3.386]	84.20 [3.315]	79.20 [3.118]	82.80 [3.260]	41.00 [1.614]

UNLESS OTHERWISE SPECIFIED, DIMENSIONS ARE IN MILLIMETERS [INCHES]. TOLERANCES ARE:
 DECIMALS ANGLES
 X.X: ±0.3 [0.1] 2°
 X.XX: ±0.13 [0.05]
 X.XXX: ±0.050 [0.020]

PROPRIETARY NOTE
 THIS DOCUMENT CONTAINS CONFIDENTIAL AND PROPRIETARY INFORMATION AND ALL DESIGN, MANUFACTURING, REPRODUCTION, USE, PATENT RIGHTS AND SALES RIGHTS ARE EXPRESSLY RESERVED BY SAMTEC, INC. THIS DOCUMENT SHALL NOT BE DISCLOSED, IN WHOLE OR PART, TO ANY UNAUTHORIZED PERSON OR ENTITY NOR REPRODUCED, TRANSFERRED OR INCORPORATED IN ANY OTHER PROJECT IN ANY MANNER WITHOUT THE EXPRESS WRITTEN CONSENT OF SAMTEC, INC.



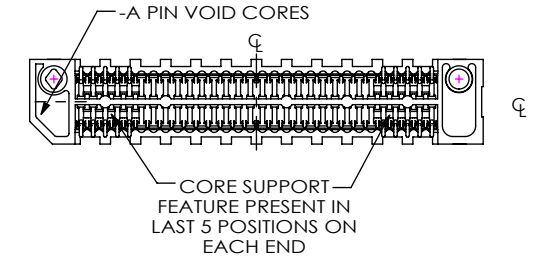
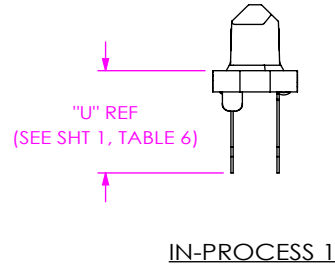
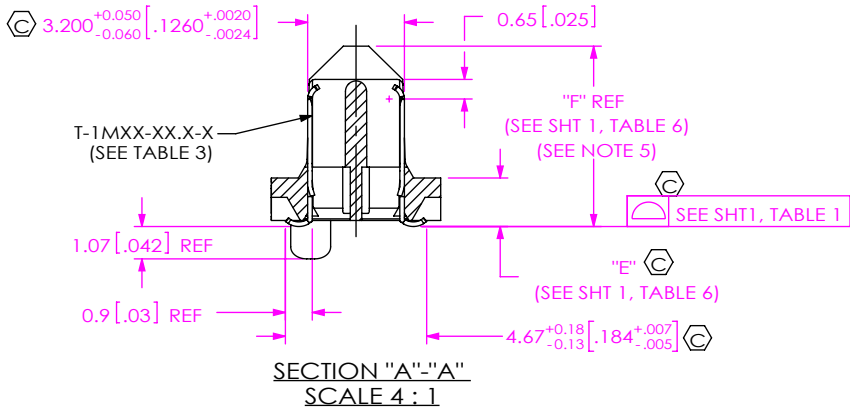
520 PARK EAST BLVD, NEW ALBANY, IN 47150
 PHONE: 812-944-6733 FAX: 812-948-5047
 e-Mail: info@SAMTEC.com code 53322

MATERIAL: DO NOT SCALE DRAWING SHEET SCALE: 2:1
 INSULATOR: LCP, COLOR: BLACK
 TERMINAL: PHOS BRONZE
 LATCH: BeCu
 SHIELD: PHOS BRONZE

DESCRIPTION:
 0.8MM EDGE RATE TERMINAL ASSEMBLY

DWG. NO.
ERM8-XXX-XX.X-X-DV-XXXX-XX

BY: KNOWLDEN 9/27/2005 SHEET 1 OF 7



BOTTOM VIEW
(ERM8-030-09.0-X-DV-XX SHOWN)
(DIFFERENT AS SHOWN, OTHERWISE SAME AS FIG 1)

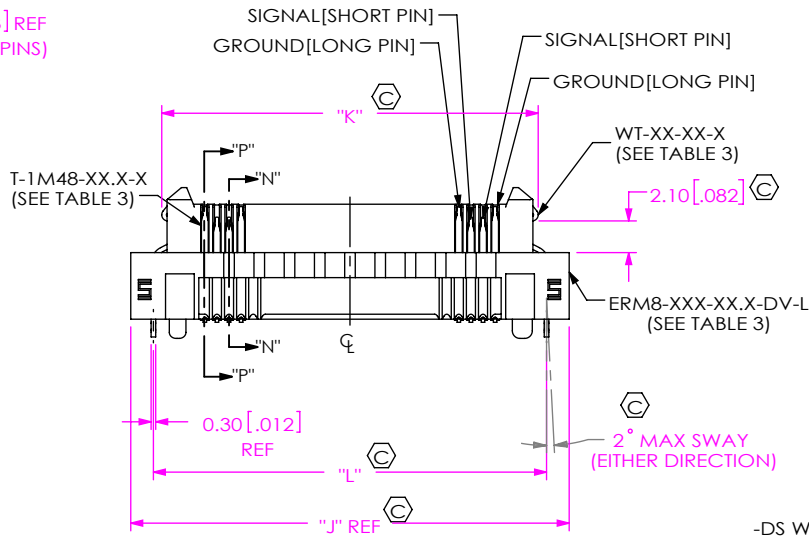
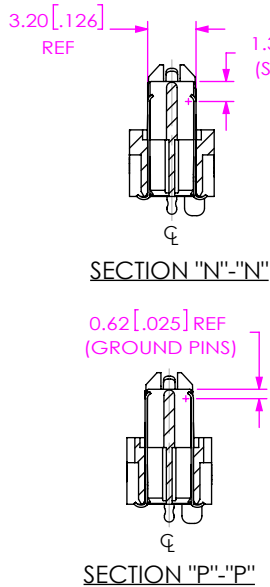


FIG 3
-DS WITH -L OPTION
(-DS AVAILABLE ON -05.0 LEADSTYLE ONLY)
(-L AVAILABLE ON -05.0 & -09.0 LEAD STYLE ONLY)
(ERM8-025-05.0-X-DV-DS-L SHOWN)
(SAME AS FIG 1, EXCEPT AS SHOWN)
(SOME CENTER FEATURES REMOVED FOR CLARITY)

TABLE 4	
-DS & -L OPTION AVAILABILITY	
(-DS AVAILABLE ON -05.0 LEADSTYLE ONLY) (-L AVAILABLE ON -05.0, -08.0, -09.0 LEADSTYLES ONLY. -L ON -08.0 & -09.0 NOT TOOLED)	
-005	-L
-010	-DS, -L
-011	-L
-013	-DS, -L
-020	-L
-025	-DS, -L
-030	-L
-035	-L
-040	-L
-049	-DS, -L
-050	-L
-060	-L
-070	-L
-075	-L

TABLE 7				
POSITION	"J"	"K"	"L"	"M"
-005	13.00 [0.512]	8.90 [0.350]	10.00 [0.394]	4.50 [0.177]
-010	17.00 [0.669]	12.90 [0.508]	14.00 [0.551]	6.50 [0.256]
-011	17.80 [0.701]	13.70 [0.539]	14.80 [0.583]	6.90 [0.272]
-013	19.40 [0.764]	15.30 [0.602]	16.40 [0.646]	7.70 [0.303]
-020	25.00 [0.984]	20.90 [0.823]	22.00 [0.866]	10.50 [0.413]
-025	29.00 [1.142]	24.90 [0.980]	26.00 [1.024]	12.50 [0.492]
-030	33.00 [1.299]	28.90 [1.138]	30.00 [1.181]	14.50 [0.571]
-035	37.00 [1.457]	32.90 [1.295]	34.00 [1.339]	16.50 [0.650]
-040	41.00 [1.614]	36.90 [1.453]	38.00 [1.496]	18.50 [0.728]
-049	48.20 [1.898]	44.10 [1.736]	45.20 [1.780]	22.10 [0.870]
-050	49.00 [1.929]	44.90 [1.768]	46.00 [1.811]	22.50 [0.886]
-060	57.00 [2.244]	52.90 [2.083]	54.00 [2.126]	26.50 [1.043]
-070	65.00 [2.559]	60.90 [2.398]	62.00 [2.441]	30.50 [1.201]
-075	69.00 [2.717]	64.90 [2.555]	66.00 [2.598]	32.50 [1.280]

TABLE 3						
OPTION	STYLE	ERM8-XXX-XX.X-DV-01	T-1MXX-XX.X-X	WT-XX-XX-X	"S"	"T"
NONE	-02.0	ERM8-XXX-02.0-DV-01	T-1M37-02.0-X	N/A	N/A	N/A
	-05.0	ERM8-XXX-05.0-DV-01	T-1M37-05.0-X			
	-08.0	ERM8-XXX-08.0-DV-01	T-1M37-08.0-X			
	-09.0	ERM8-XXX-09.0-DV-01	T-1M37-09.0-X			
-DS	-05.0	ERM8-XXX-05.0-DV-XX	T-1M48-05.0-X	N/A	N/A	N/A
		ERM8-XXX-05.0-DV-EGP	T-1M37-05.0-X			
-EGP	-05.0	ERM8-XXX-05.0-DV-EGP	T-1M37-05.0-X	SH29-XX-02	1.17 [0.046]	0.97 [0.038]
-EGPS	-05.0	ERM8-XXX-05.0-DV-EGPS	T-1M37-05.0-X	WT-29-03-F	1.17 [0.046]	0.97 [0.038]
-L	-05.0	ERM8-XXX-05.0-DV-L	T-1M37-05.0-X	WT-29-10-F	1.60 [0.063]	1.40 [0.055]
	**09.0	ERM8-XXX-09.0-DV-L	T-1M37-09.0-X	WT-29-10-F	1.60 [0.063]	1.40 [0.055]
**S	-02.0	ERM8-XXX-02.0-DV-S	T-1M37-02.0-X	SH29-XX-08	1.61 [0.063]	1.41 [0.056]
**EGPS	-09.0	ERM8-XXX-09.0-DV-EGPS	T-1M37-09.0-X	SH29-XX-06	1.17 [0.046]	0.97 [0.038]

(**= NOT RELEASED FOR PRODUCTION)

PROPRIETARY NOTE
THIS DOCUMENT CONTAINS CONFIDENTIAL AND PROPRIETARY INFORMATION AND ALL DESIGN, MANUFACTURING, REPRODUCTION, USE, PATENT RIGHTS AND SALES RIGHTS ARE EXPRESSLY RESERVED BY SAMTEC, INC. THIS DOCUMENT SHALL NOT BE DISCLOSED, IN WHOLE OR PART, TO ANY UNAUTHORIZED PERSON OR ENTITY NOR REPRODUCED, TRANSFERRED OR INCORPORATED IN ANY OTHER PROJECT IN ANY MANNER WITHOUT THE EXPRESS WRITTEN CONSENT OF SAMTEC, INC.

DO NOT SCALE DRAWING

SHEET SCALE: 2:1



520 PARK EAST BLVD, NEW ALBANY, IN 47150
PHONE: 812-944-6733 FAX: 812-948-5047
e-Mail info@SAMTEC.com code 53322

DESCRIPTION:
0.8MM EDGE RATE TERMINAL ASSEMBLY

DWG. NO.
ERM8-XXX-XX.X-X-DV-XXXX-XX

BY: KNOWLDEN 9/27/2005 SHEET 2 OF 7

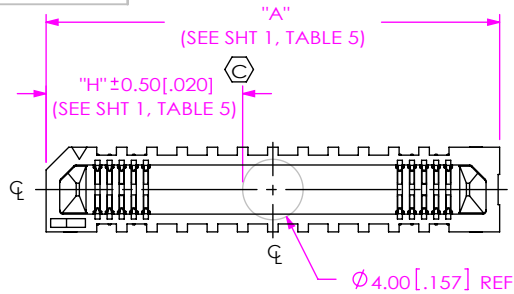


FIG 2
-K OPTION
(ERM8-030-XX.X-X-DV-K SHOWN)
(SOME CENTER FEATURES REMOVED FOR CLARITY)

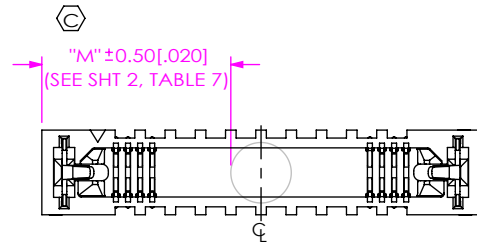
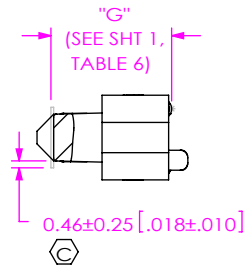


FIG 4
-K WITH -L OPTION
(ERM8-025-05.0-X-DV-K-L SHOWN)
(SAME AS FIG 2, EXCEPT AS SHOWN)
(SOME CENTER FEATURES REMOVED FOR CLARITY)

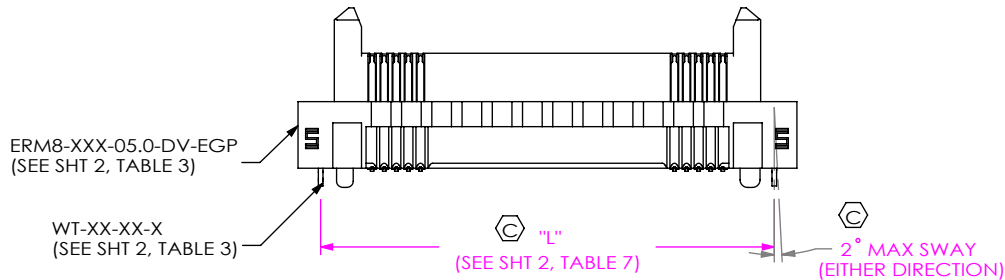
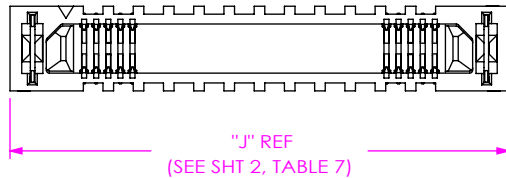
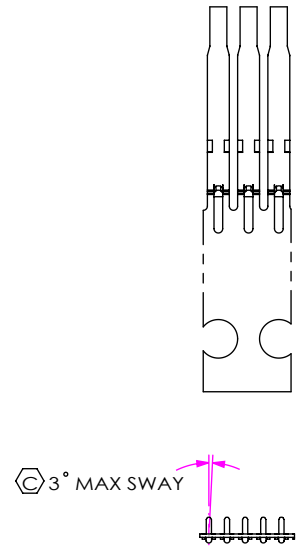
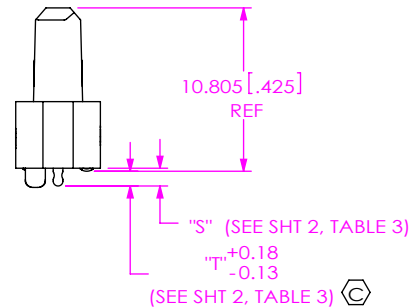


FIG 5
-EGP OPTION
(AVAILABLE ON -05.0 LEAD STYLE ONLY)
(ERM8-030-05.0-X-DV-EGP SHOWN)
(SAME AS FIG 3, EXCEPT AS SHOWN)
(SOME CENTER FEATURES REMOVED FOR CLARITY)



T-1M37-XX.X-X
IN-PROCESS VIEW

PROPRIETARY NOTE
THIS DOCUMENT CONTAINS CONFIDENTIAL AND PROPRIETARY INFORMATION AND ALL DESIGN, MANUFACTURING, REPRODUCTION, USE, PATENT RIGHTS AND SALES RIGHTS ARE EXPRESSLY RESERVED BY SAMTEC, INC. THIS DOCUMENT SHALL NOT BE DISCLOSED, IN WHOLE OR PART, TO ANY UNAUTHORIZED PERSON OR ENTITY NOR REPRODUCED, TRANSFERRED OR INCORPORATED IN ANY OTHER PROJECT IN ANY MANNER WITHOUT THE EXPRESS WRITTEN CONSENT OF SAMTEC, INC.

DO NOT SCALE DRAWING
SHEET SCALE: 2:1

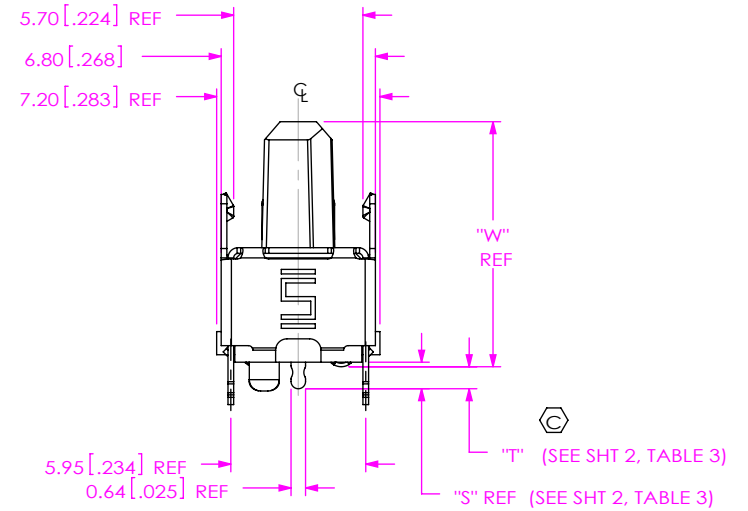
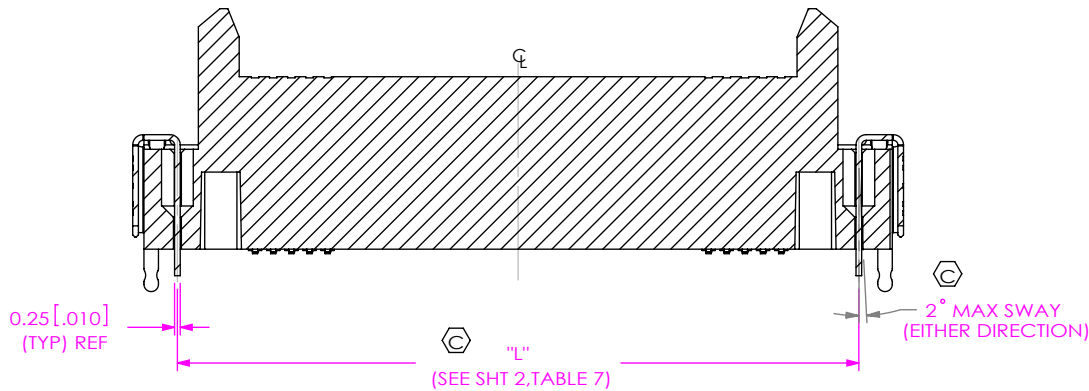
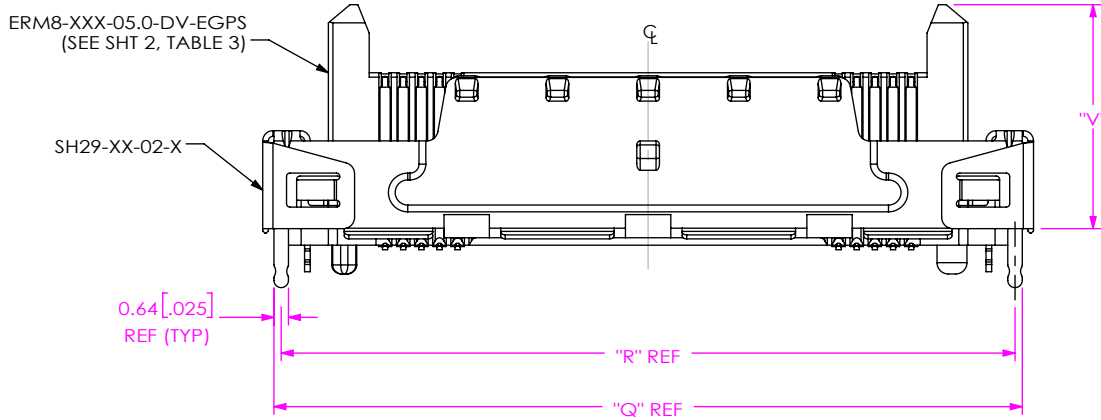
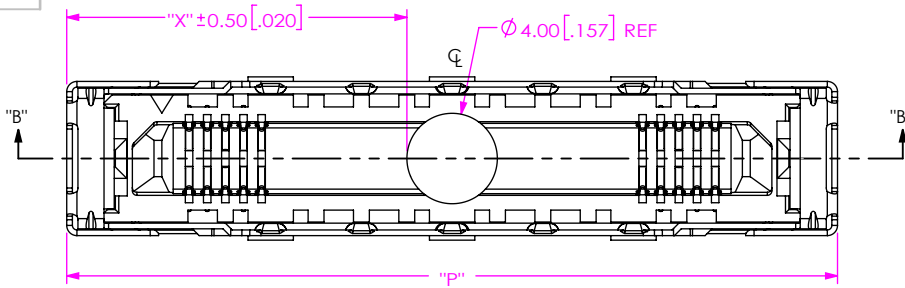


520 PARK EAST BLVD, NEW ALBANY, IN 47150
PHONE: 812-944-6733 FAX: 812-948-5047
e-Mail: info@SAMTEC.com code 55322

DESCRIPTION:
0.8MM EDGE RATE TERMINAL ASSEMBLY

DWG. NO.
ERM8-XXX-XX.X-X-DV-XXXX-XX

BY: KNOWLDEN 9/27/2005 SHEET 3 OF 7



LEAD STYLE	"V"	"W"
-05.0	9.87 [.389]	10.805 [.4254]
**09.0	13.87 [.546]	14.805 [.5829]

FIG 6
-EGPS OPTIONS
(AVAILABLE ON -05.0 & **09.0 LEAD STYLE,
-010, -020, -025 & -030 POS)
(ERM8-030-05.0-X-DV-EGPS SHOWN)
(SAME AS FIG 5, EXCEPT AS SHOWN)
(**= NOT RELEASED FOR PRODUCTION)

No. OF POS.	"P"	"Q"	"R"	"X"
-10	18.0 [0.71]	17.00 [0.669]	16.36 [0.644]	7.00 [0.276]
-20	26.0 [1.02]	25.00 [0.984]	24.36 [0.959]	11.00 [0.433]
-25	30.0 [1.18]	29.00 [1.142]	28.36 [1.117]	13.00 [0.512]
-30	34.0 [1.34]	33.00 [1.299]	32.36 [1.274]	15.00 [0.591]

SECTION "B"- "B"

PROPRIETARY NOTE
THIS DOCUMENT CONTAINS CONFIDENTIAL AND PROPRIETARY INFORMATION AND ALL DESIGN, MANUFACTURING, REPRODUCTION, USE, PATENT RIGHTS AND SALES RIGHTS ARE EXPRESSLY RESERVED BY SAMTEC, INC. THIS DOCUMENT SHALL NOT BE DISCLOSED, IN WHOLE OR PART, TO ANY UNAUTHORIZED PERSON OR ENTITY NOR REPRODUCED, TRANSFERRED OR INCORPORATED IN ANY OTHER PROJECT IN ANY MANNER WITHOUT THE EXPRESS WRITTEN CONSENT OF SAMTEC, INC.

DO NOT SCALE DRAWING

SHEET SCALE: 3:1



520 PARK EAST BLVD, NEW ALBANY, IN 47150
PHONE: 812-944-6733 FAX: 812-948-5047
e-Mail info@SAMTEC.com code 55322

DESCRIPTION:
0.8MM EDGE RATE TERMINAL ASSEMBLY

DWG. NO.
ERM8-XXX-XX.X-X-DV-XXXX-XX

BY: KNOWLDEN9/27/2005 SHEET 4 OF 7

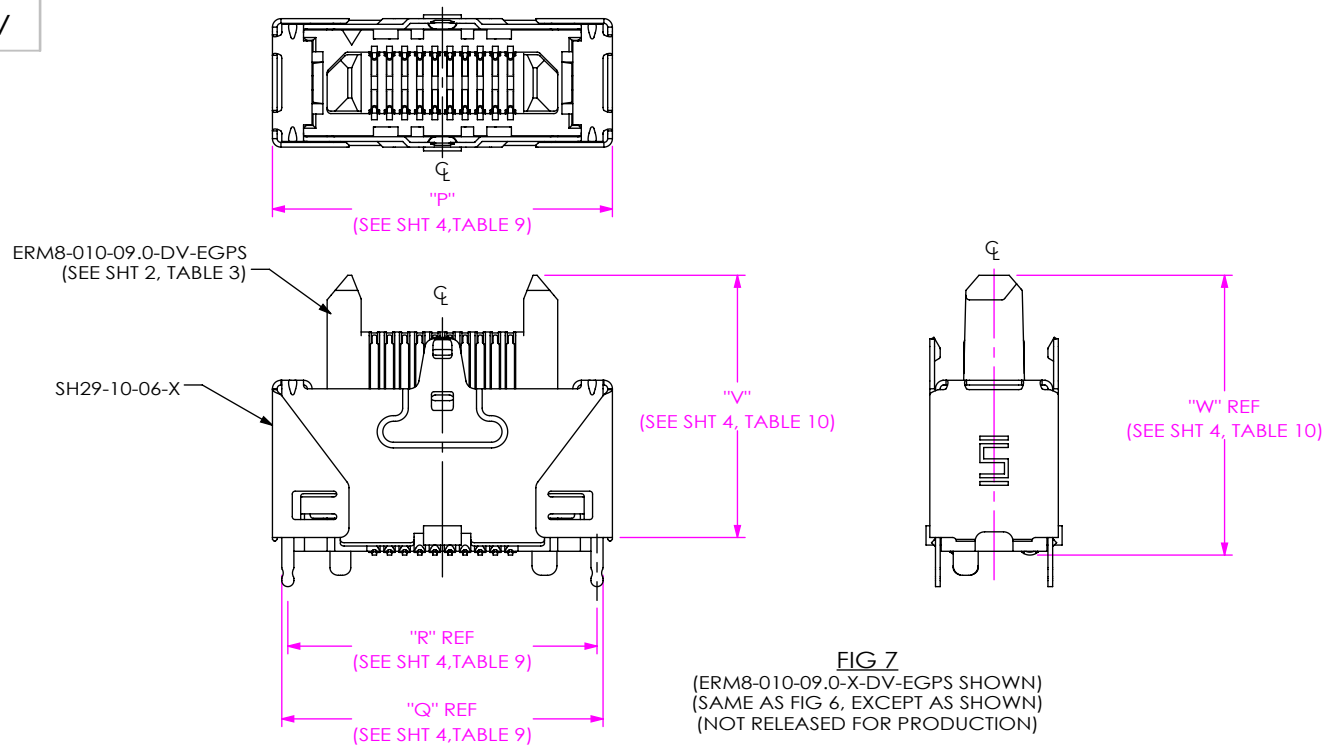


FIG 7
 (ERM8-010-09.0-X-DV-EGPS SHOWN)
 (SAME AS FIG 6, EXCEPT AS SHOWN)
 (NOT RELEASED FOR PRODUCTION)

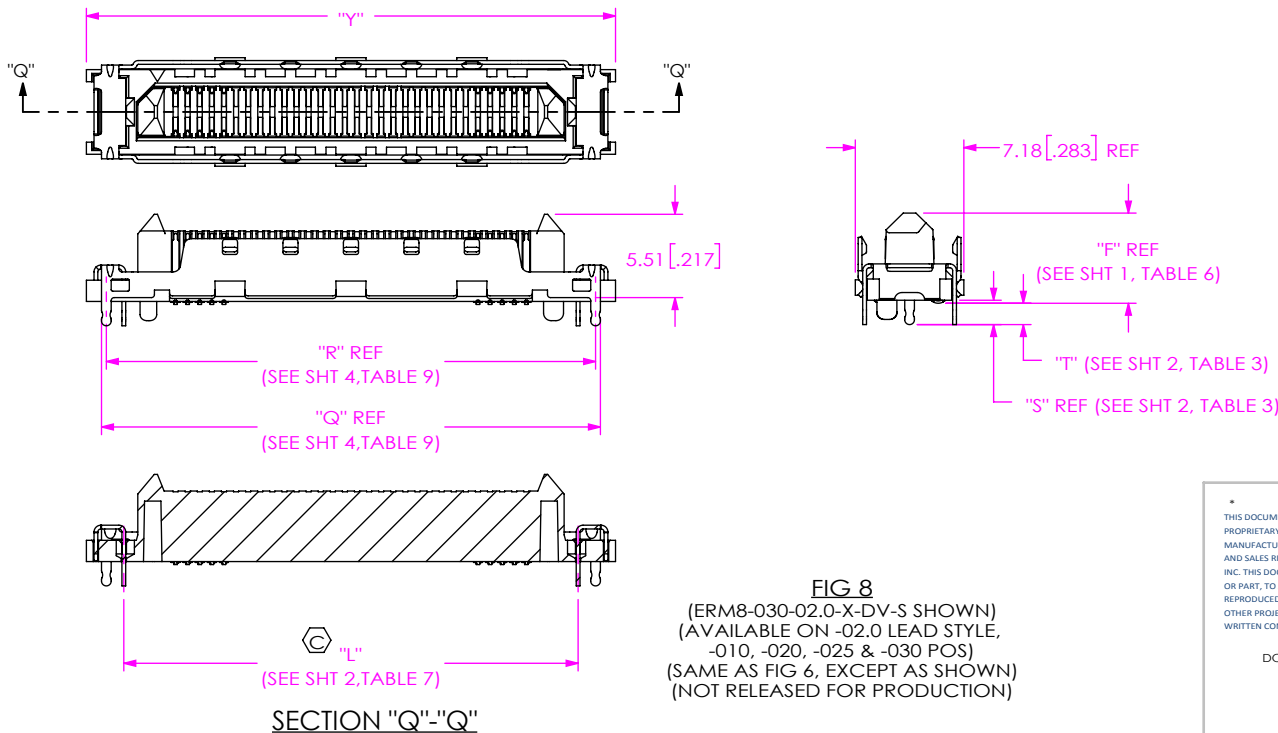


FIG 8
 (ERM8-030-02.0-X-DV-S SHOWN)
 (AVAILABLE ON -02.0 LEAD STYLE,
 -010, -020, -025 & -030 POS)
 (SAME AS FIG 6, EXCEPT AS SHOWN)
 (NOT RELEASED FOR PRODUCTION)

No. OF POS.	"Y"
-10	19.0 [0.75]
-20	27.0 [1.06]
-25	31.0 [1.22]
-30	35.0 [1.38]

PROPRIETARY NOTE
 THIS DOCUMENT CONTAINS CONFIDENTIAL AND PROPRIETARY INFORMATION AND ALL DESIGN, MANUFACTURING, REPRODUCTION, USE, PATENT RIGHTS AND SALES RIGHTS ARE EXPRESSLY RESERVED BY SAMTEC, INC. THIS DOCUMENT SHALL NOT BE DISCLOSED, IN WHOLE OR PART, TO ANY UNAUTHORIZED PERSON OR ENTITY NOR REPRODUCED, TRANSFERRED OR INCORPORATED IN ANY OTHER PROJECT IN ANY MANNER WITHOUT THE EXPRESS WRITTEN CONSENT OF SAMTEC, INC.

DO NOT SCALE DRAWING

SHEET SCALE: 2:1



520 PARK EAST BLVD, NEW ALBANY, IN 47150
 PHONE: 812-944-6733 FAX: 812-948-5047
 e-Mail info@SAMTEC.com code 55322

DESCRIPTION:
 0.8MM EDGE RATE TERMINAL ASSEMBLY

DWG. NO.
 ERM8-XXX-XX.X-X-DV-XXXX-XX

BY: KNOWLDEN 9/27/2005 SHEET 5 OF 7

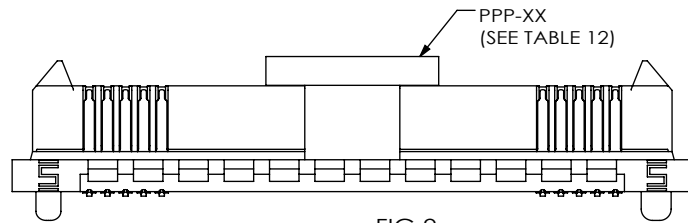
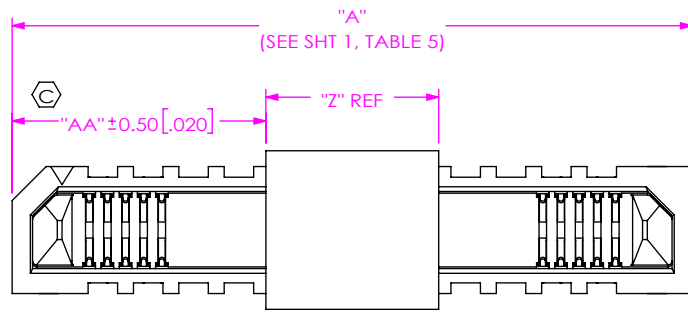


FIG 9
-P OPTION
(ERM8-030-XX.X-X-DV-P SHOWN)
(SAME AS FIG 1, EXCEPT AS SHOWN)
(SOME CENTER FEATURES REMOVED FOR CLARITY)

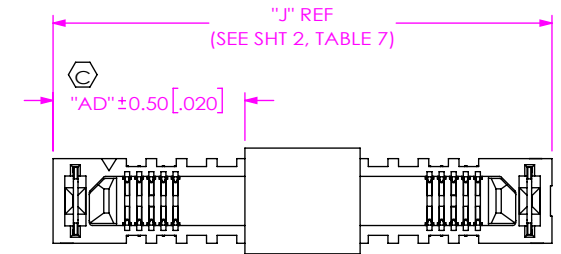
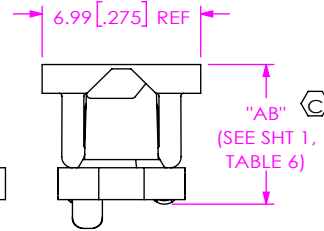


FIG 11
-P WITH -EGP OPTION
(ERM8-030-05.0-X-DV-EGP-P SHOWN)
(SAME AS FIG 9, EXCEPT AS SHOWN)
(SOME CENTER FEATURES REMOVED FOR CLARITY)

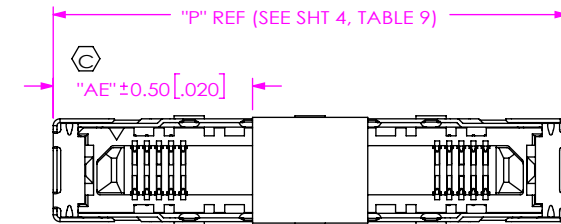


FIG 12
-P WITH -EGPS OPTION
(ERM8-030-05.0-X-DV-EGPS-P SHOWN)
(SAME AS FIG 9, EXCEPT AS SHOWN)
(SOME CENTER FEATURES REMOVED FOR CLARITY)

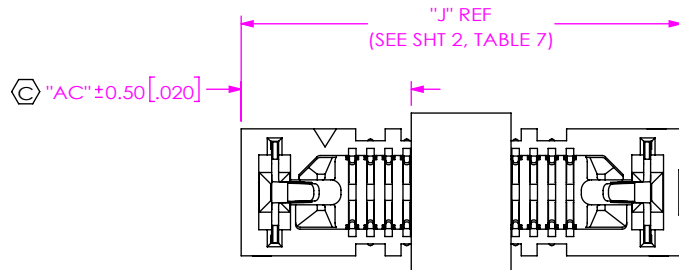


FIG 10
-P WITH -L OPTION
(ERM8-013-XX.X-X-DV-L-P SHOWN)
(SAME AS FIG 9, EXCEPT AS SHOWN)
(SOME CENTER FEATURES REMOVED FOR CLARITY)

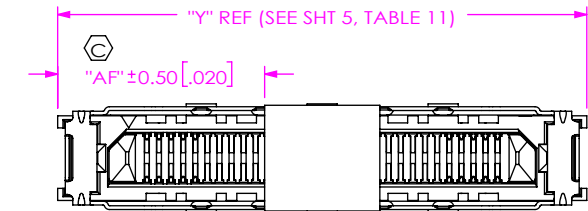


FIG 13
-P WITH -S OPTION
(ERM8-030-02.0-X-DV-S-P SHOWN)
(SAME AS FIG 9, EXCEPT AS SHOWN)
(SOME CENTER FEATURES REMOVED FOR CLARITY)

TABLE 12

POSITION	PPP-XX	PAD WIDTH	NONE	-L	-EGP	-EGPS	**S
		"Z"	"AA"	"AC"	"AD"	"AE"	"AF"
-005	PPP-88	4.40 [0.173]	2.80 [0.110]	4.30 [0.169]	4.30 [0.169]	N/A	N/A
-010		4.40 [0.173]	4.80 [0.189]	6.30 [0.248]	6.30 [0.248]	6.80 [0.268]	7.30 [0.287]
-011		4.40 [0.173]	5.20 [0.205]	6.70 [0.264]	6.70 [0.264]	N/A	N/A
-013		4.40 [0.173]	6.00 [0.236]	7.50 [0.295]	7.50 [0.295]	N/A	N/A
-020	PPP-87	7.62 [0.300]	7.19 [0.283]	8.69 [0.342]	8.69 [0.342]	9.19 [0.362]	9.69 [0.381]
-025		7.62 [0.300]	9.19 [0.362]	10.69 [0.421]	10.69 [0.421]	11.19 [0.441]	11.69 [0.460]
-030		7.62 [0.300]	11.19 [0.441]	12.69 [0.500]	12.69 [0.500]	13.19 [0.519]	13.69 [0.539]
-035		7.62 [0.300]	13.19 [0.519]	14.69 [0.578]	14.69 [0.578]	N/A	N/A
-040		7.62 [0.300]	15.19 [0.598]	16.69 [0.657]	16.69 [0.657]	N/A	N/A
-049		7.62 [0.300]	18.79 [0.740]	20.29 [0.799]	20.29 [0.799]	N/A	N/A
-050		7.62 [0.300]	19.19 [0.756]	20.69 [0.815]	20.69 [0.815]	N/A	N/A
-060		7.62 [0.300]	23.19 [0.913]	24.69 [0.972]	24.69 [0.972]	N/A	N/A
-070		7.62 [0.300]	27.19 [1.070]	28.69 [1.130]	28.69 [1.130]	N/A	N/A
-075		7.62 [0.300]	29.19 [1.149]	30.69 [1.208]	30.69 [1.208]	N/A	N/A
-100		7.62 [0.300]	N/A	N/A	N/A	N/A	N/A

PROPRIETARY NOTE
THIS DOCUMENT CONTAINS CONFIDENTIAL AND PROPRIETARY INFORMATION AND ALL DESIGN, MANUFACTURING, REPRODUCTION, USE, PATENT RIGHTS AND SALES RIGHTS ARE EXPRESSLY RESERVED BY SAMTEC, INC. THIS DOCUMENT SHALL NOT BE DISCLOSED, IN WHOLE OR PART, TO ANY UNAUTHORIZED PERSON OR ENTITY NOR REPRODUCED, TRANSFERRED OR INCORPORATED IN ANY OTHER PROJECT IN ANY MANNER WITHOUT THE EXPRESS WRITTEN CONSENT OF SAMTEC, INC.



520 PARK EAST BLVD, NEW ALBANY, IN 47150
PHONE: 812-944-6733 FAX: 812-948-5047
e-Mail: info@SAMTEC.com code 55322

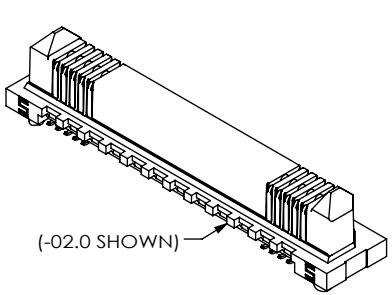
DO NOT SCALE DRAWING

SHEET SCALE: 5:1

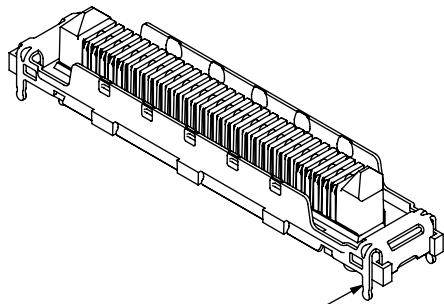
DESCRIPTION:
0.8MM EDGE RATE TERMINAL ASSEMBLY

DWG. NO.
ERM8-XXX-XX.X-X-DV-XXXX-XX

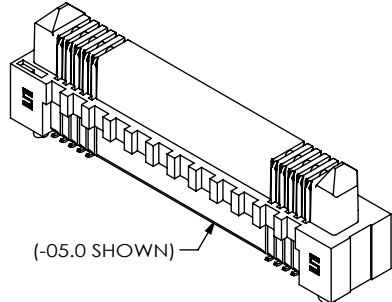
BY: KNOWLDEN9/27/2005 SHEET 6 OF 7



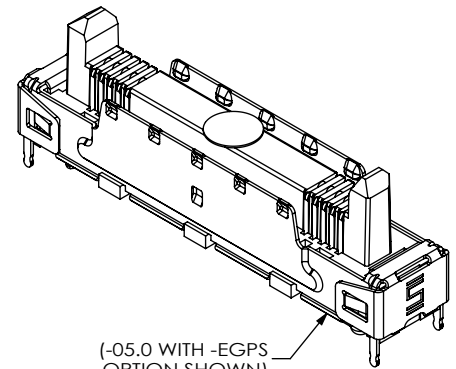
(-02.0 SHOWN)



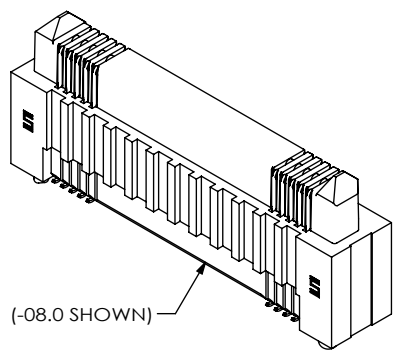
(-02.0 WITH -S OPTION SHOWN)



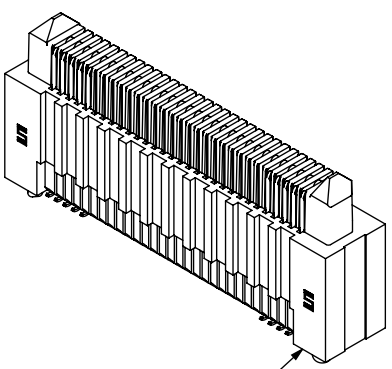
(-05.0 SHOWN)



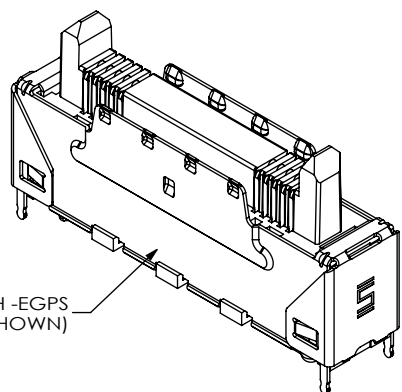
(-05.0 WITH -EGPS OPTION SHOWN)



(-08.0 SHOWN)



(-09.0 SHOWN)



(**-09.0 WITH -EGPS OPTION SHOWN)

PROPRIETARY NOTE
 * THIS DOCUMENT CONTAINS CONFIDENTIAL AND PROPRIETARY INFORMATION AND ALL DESIGN, MANUFACTURING, REPRODUCTION, USE, PATENT RIGHTS AND SALES RIGHTS ARE EXPRESSLY RESERVED BY SAMTEC, INC. THIS DOCUMENT SHALL NOT BE DISCLOSED, IN WHOLE OR PART, TO ANY UNAUTHORIZED PERSON OR ENTITY NOR REPRODUCED, TRANSFERRED OR INCORPORATED IN ANY OTHER PROJECT IN ANY MANNER WITHOUT THE EXPRESS WRITTEN CONSENT OF SAMTEC, INC. *



520 PARK EAST BLVD, NEW ALBANY, IN 47150
 PHONE: 812-944-6733 FAX: 812-948-5047
 e-Mail: info@SAMTEC.com code 55322

SHEET SCALE: 2:1

DESCRIPTION:
 0.8MM EDGE RATE TERMINAL ASSEMBLY

DWG. NO.
 ERM8-XXX-XX.X-X-DV-XXXX-XX

BY: KNOWLDEN 9/27/2005 SHEET 7 OF 7

Mouser Electronics

Authorized Distributor

Click to View Pricing, Inventory, Delivery & Lifecycle Information:

[Samtec:](#)

[ERM8-005-05.0-L-DV-EGP-K-TR](#)