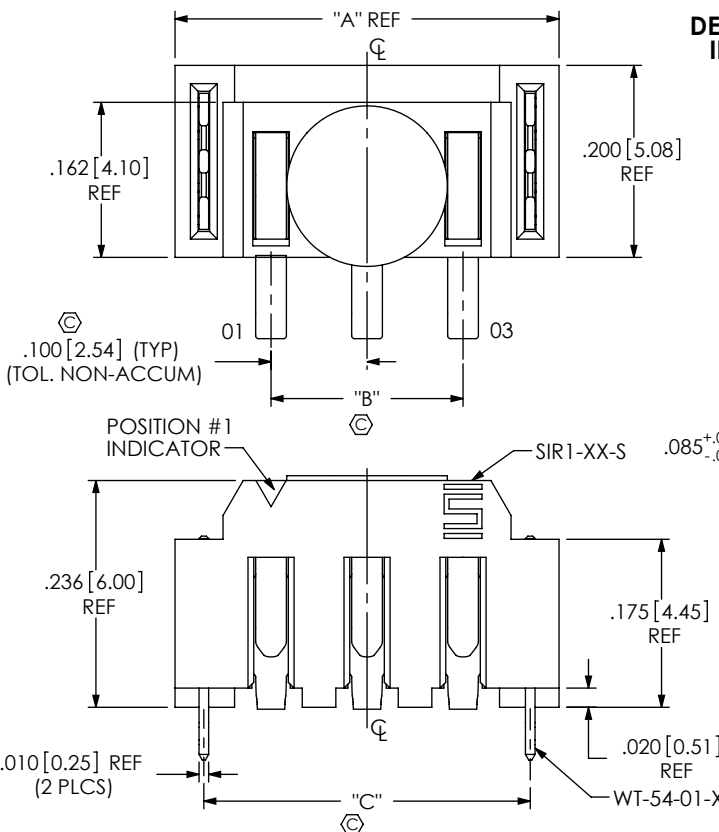


DO NOT SCALE FROM THIS PRINT



DESIGNED & DIMENSIONED IN INCHES[MILLIMETERS]

SIR1-XX-X-S-X-X-XX

No OF POSITIONS  
-03, -05, -07, -10, -15,  
\*20, \*25, \*30  
(PER ROW)

PACKAGING  
-TR: TAPE & REEL FOR OPTIONAL

PLATING SPECIFICATION  
-L: 10μ" GOLD IN CONTACT AREA,  
MATTE TIN ON TAIL  
-S: 30μ" GOLD IN CONTACT AREA,  
MATTE TIN ON TAIL

OPTION  
-A: ALIGNMENT PIN  
(USE SIR1-XX-A-X)  
-K: POLYAMIDE FILM  
(USE K-DOT-.157-.250-.005,  
SEE FIG. 3, SHT 2)

ROW SPECIFICATION  
-S: SINGLE ROW

THREADED INSERT OPTION  
\*E: THREADED INSERT (ENGLISH)  
(USE INS-14-2-56-115),  
\*M: THREADED INSERT (METRIC)  
(USE INS-14-M2-115-N)

(\* = NOT TOOLED)

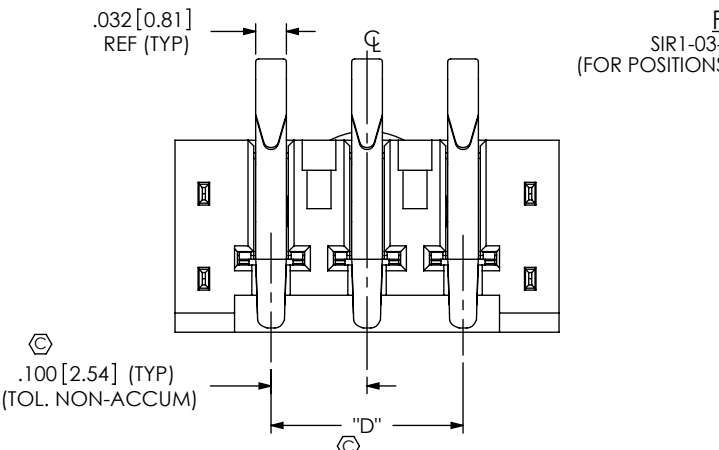


FIG 1  
SIR1-03-X-S SHOWN  
(FOR POSITIONS -03, -05, -10, & -15)

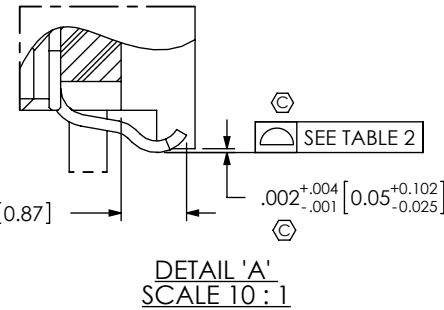


TABLE 2	
No. OF POS	COPLANARITY
-03, -05, -07, -10, -15	.0040 [0.102]
*20, *25, & *30	.0060 [0.152]

(\* = NOT TOOLED)

TABLE 1							
No. OF POS	"A"	"B"	"C"	"D"	"E"	"F"	"G"
-03	.400 [10.16]	2.000 [5.080]	.340 [8.64]	2.000 [5.080]	N/A	N/A	N/A
-05	.600 [15.24]	4.000 [10.160]	.540 [13.72]	4.000 [10.160]	N/A	N/A	N/A
-07	.800 [20.32]	6.000 [15.240]	.740 [18.80]	6.000 [15.240]	N/A	N/A	N/A
-10	1.100 [27.94]	9.000 [22.860]	1.040 [26.42]	9.000 [22.860]	N/A	N/A	N/A
-15	1.600 [40.64]	1.4000 [35.560]	1.540 [39.12]	1.4000 [35.560]	N/A	N/A	N/A
*20	2.200 [55.88]	2.0000 [50.800]	2.140 [54.36]	2.0000 [50.800]	1.0700 [27.178]	1.1000 [27.940]	.9000 [22.860]
*25	2.700 [68.58]	2.5000 [63.500]	2.640 [67.06]	2.5000 [63.500]	1.3700 [34.798]	1.4000 [35.560]	1.2000 [30.480]
*30	3.200 [81.28]	3.0000 [76.200]	3.140 [79.76]	3.0000 [76.200]	1.5700 [39.878]	1.6000 [40.640]	1.4000 [35.560]

(\* = NOT TOOLED)

- NOTES:
- ⊕ REPRESENTS A CRITICAL DIMENSION.
  - BURR ALLOWANCE: .0015[.038] MAX.
  - MINIMUM PUSHOUT FORCE: .5 LB[2.2 N].
  - LOAD INSERTS IN DIRECTION OF THE ARROW USING HAND LOAD THERMAL INSERTION PRESS.
  - THREADED INSERT MUST BE ABLE TO HANDLE 20 in-oz'S OF TORQUE MIN WITHOUT ROTATING OR "LOOSENING".
  - THREADED INSERT RETENSION TO BE 7lbs. MIN.
  - THREADED INSERT TO BE FLUSH TO .005[0.13] BELOW HOUSING SURFACE.
  - NOTE DELETED.
  - ASSEMBLIES TO BE PACKAGED IN TUBES, UNLESS -TR IS SPECIFIED.

UNLESS OTHERWISE SPECIFIED, DIMENSIONS ARE IN INCHES.  
TOLERANCES ARE:  
DECIMALS ANGLES  
.XX: ±.01 [.3] 2°  
.XXX: ±.005 [.13]  
.XXXX: ±.0020 [.051]

PROPRIETARY NOTE  
THIS DOCUMENT CONTAINS CONFIDENTIAL AND PROPRIETARY INFORMATION AND ALL DESIGN, MANUFACTURING, REPRODUCTION, USE, PATENT RIGHTS AND SALES RIGHTS ARE EXPRESSLY RESERVED BY SAMTEC, INC. THIS DOCUMENT SHALL NOT BE DISCLOSED, IN WHOLE OR PART, TO ANY UNAUTHORIZED PERSON OR ENTITY NOR REPRODUCED, TRANSFERRED OR INCORPORATED IN ANY OTHER PROJECT IN ANY MANNER WITHOUT THE EXPRESS WRITTEN CONSENT OF SAMTEC, INC.



520 PARK EAST BLVD, NEW ALBANY, IN 47150  
PHONE: 812-944-6733 FAX: 812-948-5047  
e-Mail: info@SAMTEC.com code 55322

MATERIAL: DO NOT SCALE DRAWING SHEET SCALE: 5:1  
INSULATOR: LCP, COLOR: BLACK  
CONTACT: PHOS BRONZE  
WELD TAB: PHOS BRONZE

DESCRIPTION:  
ONE PIECE POWER RIGHT ANGLE ASSEMBLY  
DWG. NO.  
SIR1-XX-X-S-X-X-XX

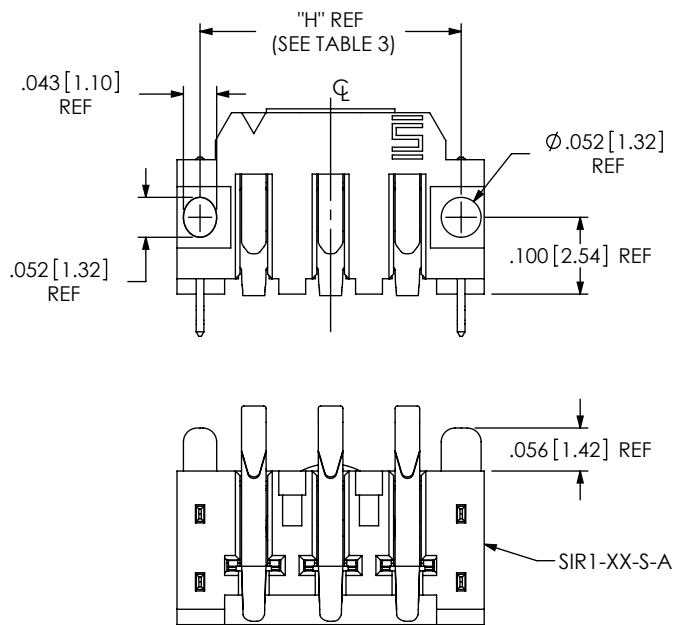
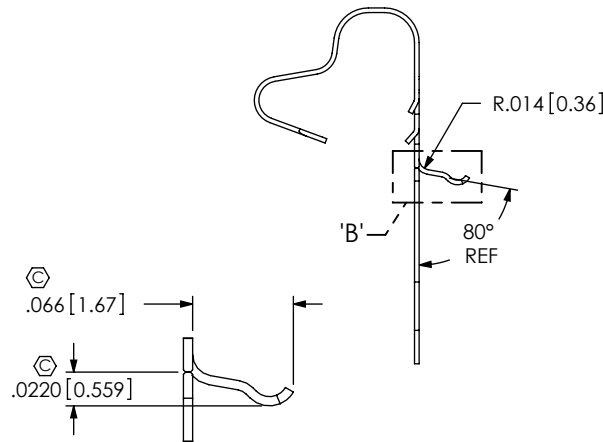
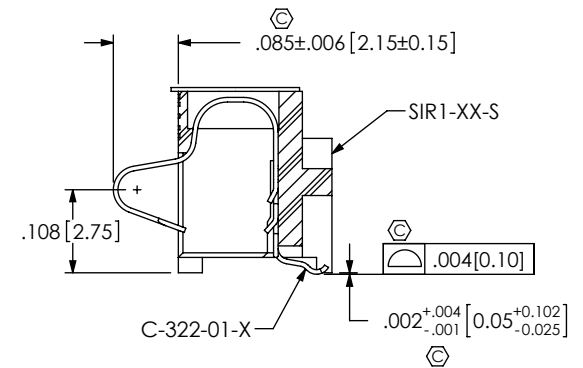


FIG 2  
(SIR1-03-X-S-A SHOWN)  
(SAME AS FIG 1, EXCEPT AS SHOWN)



DETAIL 'B'  
SCALE 8 : 1  
IN-PROCESS 1  
(FORM CONTACT C-322-01-X)



IN-PROCESS 2  
(FILL CONTACT C-322-01-X)

**TABLE 3**

No. OF POS	"H"	"J"
-03	.3400 [8.636]	.122 [3.10]
-05	.5400 [13.716]	.222 [5.64]
-07	.7400 [18.796]	.322 [8.18]
-10	1.0400 [26.416]	.472 [11.99]
-15	1.5400 [39.116]	.722 [18.34]
*-20	2.1400 [54.356]	1.022 [25.96]
*-25	2.6400 [67.056]	1.272 [32.31]
*-30	3.1400 [79.756]	1.522 [38.66]

(\* = NOT TOOLED)

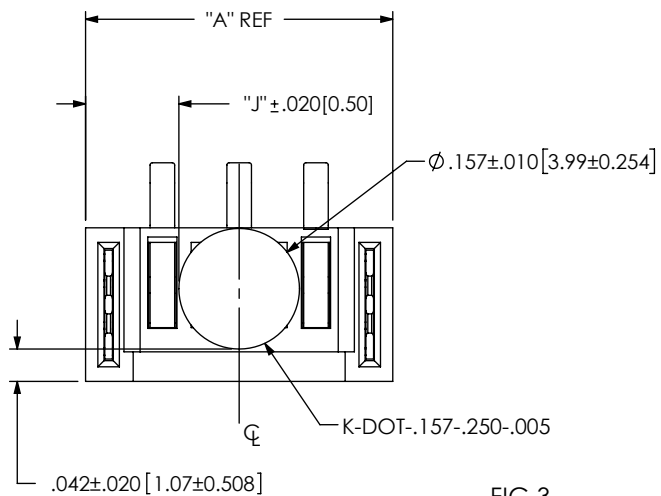
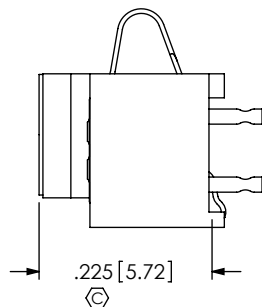


FIG 3  
(SIR1-03-X-S-K SHOWN)  
(SAME AS FIG 1, EXCEPT AS SHOWN)



**PROPRIETARY NOTE**  
THIS DOCUMENT CONTAINS CONFIDENTIAL AND PROPRIETARY INFORMATION AND ALL DESIGN, MANUFACTURING, REPRODUCTION, USE, PATENT RIGHTS AND SALES RIGHTS ARE EXPRESSLY RESERVED BY SAMTEC, INC. THIS DOCUMENT SHALL NOT BE DISCLOSED, IN WHOLE OR PART, TO ANY UNAUTHORIZED PERSON OR ENTITY NOR REPRODUCED, TRANSFERRED OR INCORPORATED IN ANY OTHER PROJECT IN ANY MANNER WITHOUT THE EXPRESS WRITTEN CONSENT OF SAMTEC, INC.

DO NOT SCALE DRAWING

SHEET SCALE: 4:1



520 PARK EAST BLVD, NEW ALBANY, IN 47150  
PHONE: 812-944-6733 FAX: 812-948-5047  
e-Mail info@SAMTEC.com code 55322

DESCRIPTION:  
ONE PIECE POWER RIGHT ANGLE ASSEMBLY

DWG. NO.  
SIR1-XX-X-S-X-X-XX

BY: ROY LUO 5/20/2010 SHEET 2 OF 4

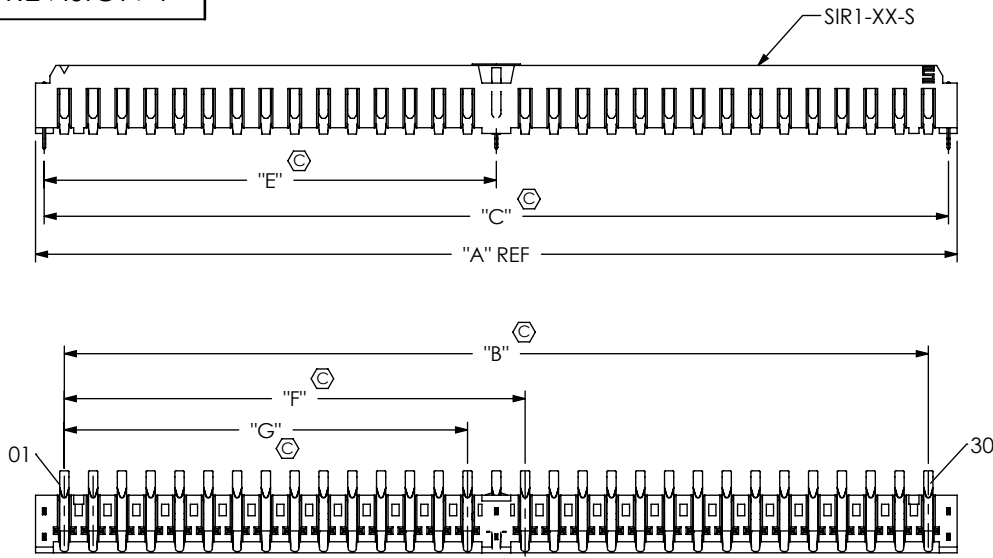


FIG 4  
(SIR1-30-X-S SHOWN)  
(SAME AS FIG 1, EXCEPT AS SHOWN)  
(FOR POSITIONS -20, -25, & -30)  
(NOT TOOLED)

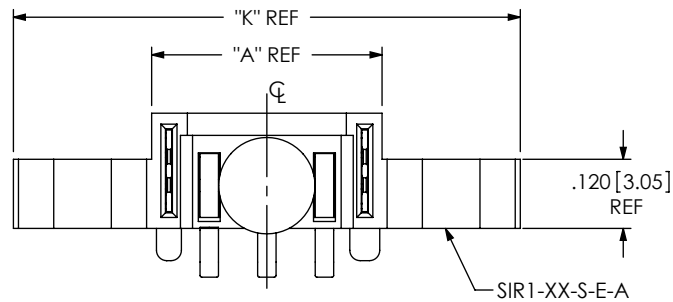
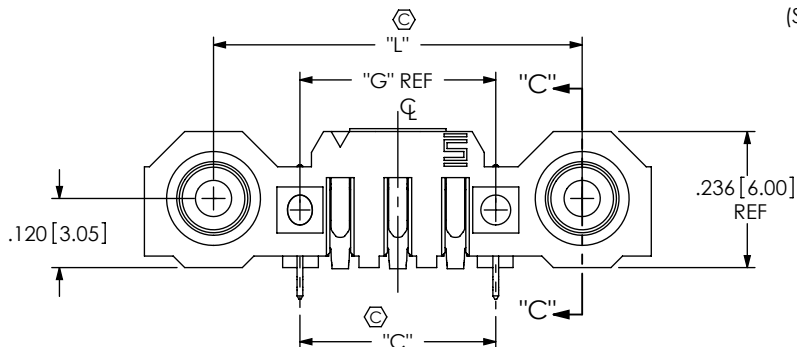


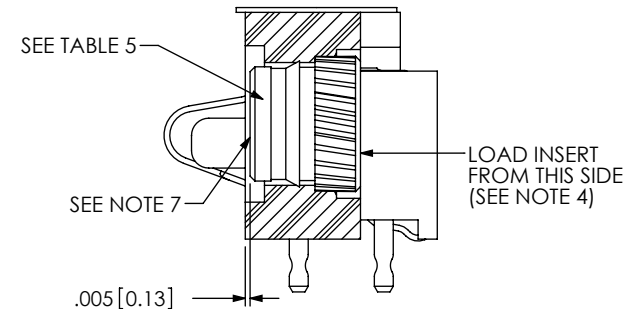
FIG 5  
-E & -M OPTION  
(SIR1-03-X-S-X-A SHOWN)  
(SAME AS FIG 2, EXCEPT AS SHOWN)  
(NOT TOOLED)



No. OF POS	"K"	"L"
-03	.880 [22.352]	.640 [16.26]
-05	1.080 [27.432]	.840 [21.34]
-07	1.280 [32.512]	1.040 [26.42]
-10	1.580 [40.132]	1.340 [34.04]
-15	2.080 [52.832]	1.840 [46.74]
-20	2.680 [68.072]	2.440 [61.98]
-25	3.180 [80.772]	2.940 [74.68]
-30	3.680 [93.472]	3.440 [87.38]

OPTION	THREADED INSERT
-E	INS-14-2-56-115
** -M	INS-14-M2-115-N

\*\* = METRIC THREADED INSERTS  
TO BE FLASH NICKEL PLATED



SECTION "C"-"C"  
SCALE 5 : 1

**PROPRIETARY NOTE**  
THIS DOCUMENT CONTAINS CONFIDENTIAL AND PROPRIETARY INFORMATION AND ALL DESIGN, MANUFACTURING, REPRODUCTION, USE, PATENT RIGHTS AND SALES RIGHTS ARE EXPRESSLY RESERVED BY SAMTEC, INC. THIS DOCUMENT SHALL NOT BE DISCLOSED, IN WHOLE OR PART, TO ANY UNAUTHORIZED PERSON OR ENTITY NOR REPRODUCED, TRANSFERRED OR INCORPORATED IN ANY OTHER PROJECT IN ANY MANNER WITHOUT THE EXPRESS WRITTEN CONSENT OF SAMTEC, INC.

DO NOT SCALE DRAWING

SHEET SCALE: 3:1

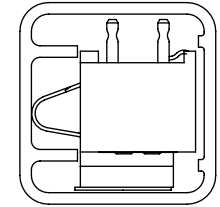
**samtec**

520 PARK EAST BLVD. NEW ALBANY, IN 47150  
PHONE: 812-944-6733 FAX: 812-948-5047  
e-Mail info@SAMTEC.com code 55322

DESCRIPTION:  
ONE PIECE POWER RIGHT ANGLE ASSEMBLY

DWG. NO.  
SIR1-XX-X-S-X-X-XX

BY: ROY LUO 5/20/2010 SHEET 3 OF 4



**PACKAGING VIEW**  
 TUBE: PT-1-24-11-63  
 PLUG: TP-09

**PROPRIETARY NOTE**  
 \* THIS DOCUMENT CONTAINS CONFIDENTIAL AND PROPRIETARY INFORMATION AND ALL DESIGN, MANUFACTURING, REPRODUCTION, USE, PATENT RIGHTS AND SALES RIGHTS ARE EXPRESSLY RESERVED BY SAMTEC, INC. THIS DOCUMENT SHALL NOT BE DISCLOSED, IN WHOLE OR PART, TO ANY UNAUTHORIZED PERSON OR ENTITY NOR REPRODUCED, TRANSFERRED OR INCORPORATED IN ANY OTHER PROJECT IN ANY MANNER WITHOUT THE EXPRESS WRITTEN CONSENT OF SAMTEC, INC. \*



520 PARK EAST BLVD, NEW ALBANY, IN 47150  
 PHONE: 812-944-6733 FAX: 812-948-5047  
 e-Mail info@SAMTEC.com code 55322

DO NOT SCALE DRAWING

SHEET SCALE: 3:1

DESCRIPTION:  
**ONE PIECE POWER RIGHT ANGLE ASSEMBLY**

DWG. NO. **SIR1-XX-X-S-X-X-XX**

BY: ROY LUO 5/20/2010 SHEET 4 OF 4

# Mouser Electronics

Authorized Distributor

Click to View Pricing, Inventory, Delivery & Lifecycle Information:

[Samtec:](#)

[SIR1-07-S-S-A](#) [SIR1-03-L-S-A-TR](#)