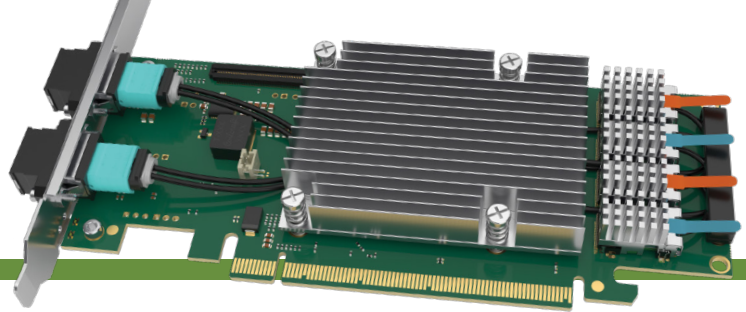




PCI EXPRESS
4.0 SOLUTIONS



PCIe®-OVER-FIBER ADAPTOR CARD

PCOA	DATA RATE	WIDTH	BRACKET
-------------	------------------	--------------	----------------

-G3
= 3.0 Speed
-G4
= 4.0 Speed

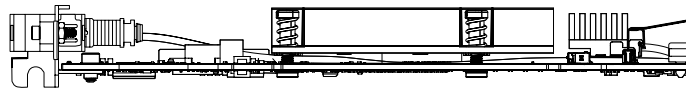
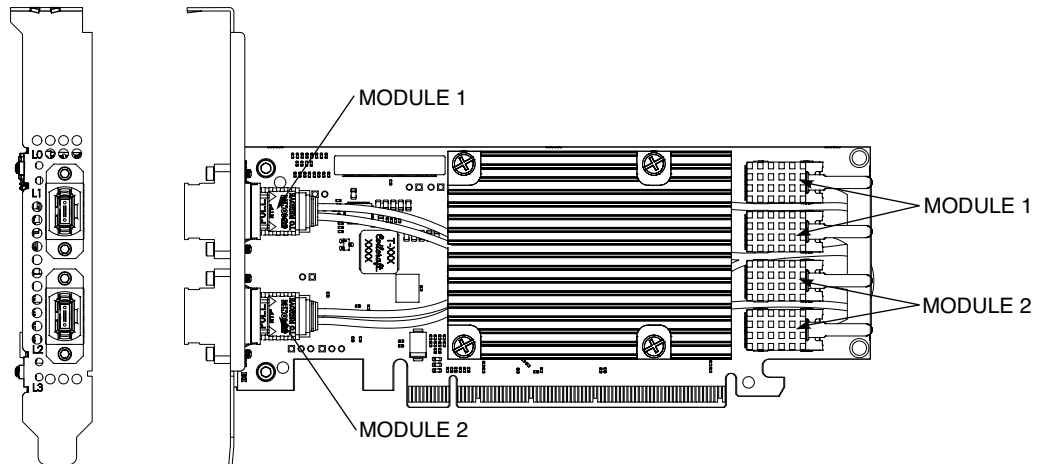
-S4
= Single x4
-D4
= Dual x4
-Q4
= Quad x4
-S8
= Single x8
-D8
= Dual x8 or Single x16

-0A
= Full Height

FEATURES

- Uses PCUO FireFly™ optical cable for clear signal transmissions with increased reach and cost optimization
- PCIe® x16 edge card connector
- Scalable configurations for cost optimized performance
- Transparent or non-transparent bridging for system flexibility and multi-processor support
- Reconfigurable host or target operation
- Ideal for high-performance and applications requiring robust data transmission

PRELIMINARY



PCOA-G4-D8-0A SHOWN

CLASS 1 LASER PRODUCT
per IEC 60825-1 Ed. 3 (2014)

-G3 Data Rate only (- G4 in testing)

Notes:
Some lengths, styles and options are non-standard, non-returnable.

PCI-SIG®, PCI Express® and the PCIe® design marks are registered trademarks and/or service marks of PCI-SIG.

View complete specifications at: samtec.com?PCOA

Mouser Electronics

Authorized Distributor

Click to View Pricing, Inventory, Delivery & Lifecycle Information:

[Samtec:](#)

[PCOA-G3-Q4-0A](#)