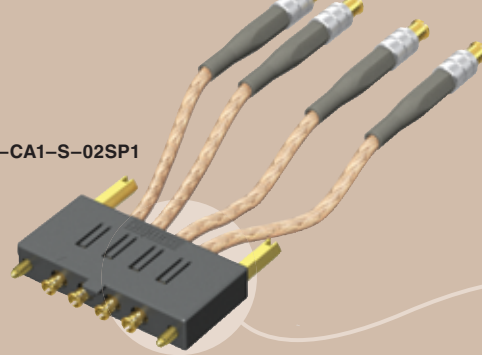


GRF1H-04-0300-1-CA1-S-02SP1



(5,00 mm) .197"

GRF1H SERIES

# 50Ω HYBRID MICRO-MINI RF CABLE

## SPECIFICATIONS

For complete specifications see [www.samtec.com?GRF1H](http://www.samtec.com?GRF1H)

### RF Connector:

- Shell Material: Brass
- Insulator Material: PTFE
- Contact Material: BeCu
- Pin Material: Brass
- Operating Temp Range: -40°C to +90°C
- Impedance: 50Ω
- RoHS Compliant: Yes

### RG 316 Cable:

- Impedance: 50Ω
- Capacitance: 96.432 pF/meter
- Propagation Delay: 4.83 nsec/meter
- Max Attenuation (cable only): 1.25dB @ 1GHz for 1 meter
- Conductor Size: 26 AWG, (0,51 mm) .020" dia.
- Conductor Material: Silver Plated Copper
- Insulator Material: PTFE
- Shield Material: Silver Plated Copper Clad Steel
- Jacket Material: FEP
- Jacket Diameter: (2,54 mm) .100"
- Jacket Color: Amber
- RoHS Compliant: Yes

Mates with:  
GRF1-J, SMA,  
MCX, SMB5, MMCX,  
SSMB, BNC5, TNC

High performance  
26 AWG RG 316  
coax cable

2, 4, 6 or 8  
Positions

MMCX-Scale  
Connectors

Optional Captive  
Panel Screws



GRF1H

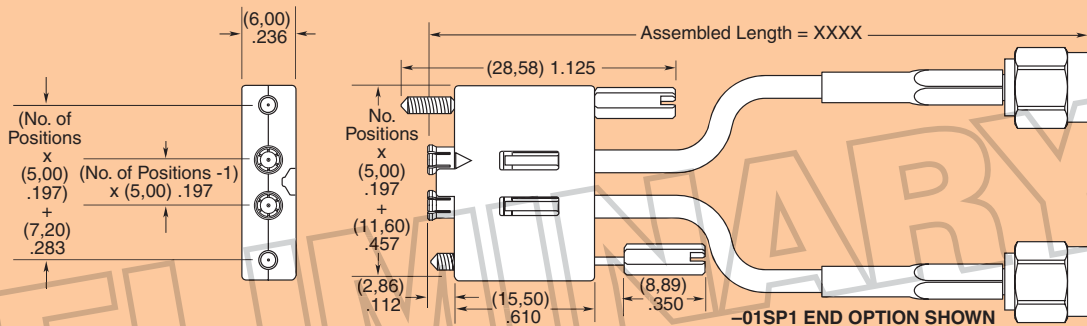
NO. OF  
POSITIONS

ASSEMBLED  
LENGTH

-02, -04, -06, -08

- "XXXX"

= Assembled Length in millimeters  
-0100 (0100 mm) 3.94" minimum



END OPTIONS	
-01SP1 = SMA, Straight Plug (30μ" (0,76 μm) Gold on Center Contact, Gold Flash on Shell)	
-01RP1 = SMA, Right Angle Plug (30μ" (0,76 μm) Gold on Center Contact, Gold Flash on Shell)	
-02SJ1 = MCX, Straight Jack (30μ" (0,76 μm) Gold on Center Contact, Gold Flash on Shell)	

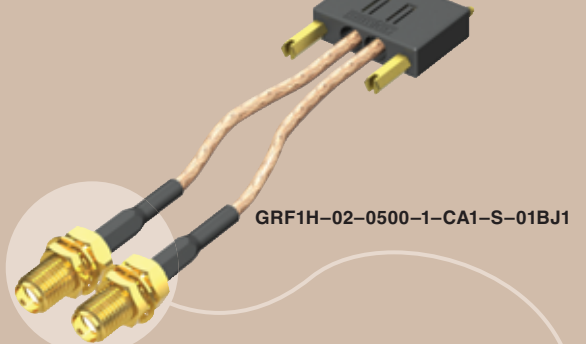
END OPTIONS	
-01PN1 = SMA, Straight Panel Mount Jack (30μ" (0,76 μm) Gold on Center Contact, Gold Flash on Shell)	
-02SP1 = MCX, Straight Plug (30μ" (0,76 μm) Gold on Center Contact, Gold Flash on Shell)	

**Note:**  
Cable lengths longer than 40.00" (1 meter) are not supported with S.I. test data.

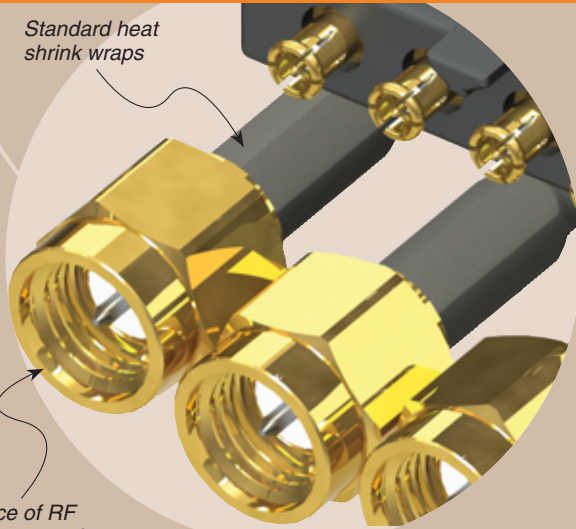
**Note:**  
This Series is non-standard, non-returnable.

Due to technical progress, all designs, specifications and components are subject to change without notice.

WWW.SAMTEC.COM



Standard heat shrink wraps



Choice of RF connector styles



Variety of Bulkhead Jacks

**END 1 PLATING**

**CABLE TYPE**

**SCREW OPTION**

**END 2 OPTION**

-1

= All Gold components

-CA1

= RG 316 cable

-S

= Captive Panel Screws  
(Leave blank for no Screw Option)

Specify END OPTIONS from chart

END OPTIONS		END OPTIONS		END OPTIONS	
-01BJ1 = SMA, Straight Bulkhead Jack		-04SP3 = BNC, Straight Plug (10µ" (0,25 µm) Gold on Center Contact, Nickel on Shell)		-06BJ3 = N Type, Straight Bulkhead Jack (10µ" (0,25 µm) Gold on Center Contact, Nickel on Shell)	
-01BR1 = SMA, Straight Bulkhead Jack, Reversed Polarity		-04BJ3 = BNC, Straight Bulkhead Jack (10µ" (0,25 µm) Gold on Center Contact, Nickel on Shell)		-07SP2 = SMB, Straight Plug (30µ" (0,76 µm) Gold on Center Contact, Gold Flash on Shell)	
-01SB1 = SMA, Straight Bulkhead Jack, Sealed		-05SP3 = TNC, Straight Plug (10µ" (0,25 µm) Gold on Center Contact, Nickel on Shell)		-07RP2 = SMB, Right Angle Plug (30µ" (0,76 µm) Gold on Center Contact, Gold Flash on Shell)	
-01SR1 = SMA, Straight Bulkhead Jack, Sealed, Reversed Polarity		-05BJ3 = TNC, Straight Bulkhead Jack (10µ" (0,25 µm) Gold on Center Contact, Nickel on Shell)		-13GP1 = GRF, Straight Plug (30µ" (0,76 µm) Gold on Center Contact, Gold Flash on Shell)	
-02RP1 = MMCX, Right Angle Plug (30µ" (0,76 µm) Gold on Center Contact, Gold Flash on Shell)		-07RP4 = SSMB, Right Angle Plug (10µ" (0,25 µm) Gold on Center Contact, Nickel on Shell)		-13GJ1 = GRF, Straight Jack (30µ" (0,76 µm) Gold on Center Contact, Gold Flash on Shell)	
-03SP1 = MMCX, Straight Plug (30µ" (0,76 µm) Gold on Center Contact, Gold Flash on Shell)					
-03RP1 = MMCX, Right Angle Plug (30µ" (0,76 µm) Gold on Center Contact, Gold Flash on Shell)					
-S7SP4 = SSMB, Straight Plug (10µ" (0,25 µm) Gold on Center Contact, Nickel on Shell)					
-07BJ1 = SMB, Straight Bulkhead Jack (30µ" (0,76 µm) Gold on Center Contact, Gold Flash on Shell)					

Due to technical progress, all designs, specifications and components are subject to change without notice.

[WWW.SAMTEC.COM](http://WWW.SAMTEC.COM)

SAMTEC USA • Tel: 1-800-SAMTEC-9 or 812-944-6733 SAMTEC NORTHERN CALIFORNIA • Tel: 408-395-5900 SAMTEC SOUTHERN CALIFORNIA • Tel: 1-800-726-8329  
 SAMTEC AMERICA LATINA COMERCIO EXTERIOR LTDA • Tel: (455 31) 3786 3227 SAMTEC UNITED KINGDOM • Tel: 44 01236 739292 SAMTEC GERMANY • Tel: +49 (0) 89 / 89460-0  
 SAMTEC FRANCE • Tel: 33 01 60 95 06 60 SAMTEC ITALY • Tel: 39 039 6890337 SAMTEC NORDIC/BALTIC • Tel: +46-84477280 SAMTEC BENELUX • Tel: 44 01236 739292  
 SAMTEC ISRAEL • Tel: 972-3-7526600 SAMTEC INDIA • Tel: +91-80-3272 1612 SAMTEC ASIA PACIFIC • Tel: 65 6745-5955 SAMTEC JAPAN • Tel: 045-475-1385 SAMTEC CHINA • Tel: 86-21-6083 3766  
 SAMTEC TAIWAN • Tel: 886-2-2735-6109 SAMTEC HONG KONG • Tel: 852-26904858 SAMTEC KOREA • Tel: 82-31-717-5685 SAMTEC ANZ • Tel: 613 9580 0683

# Mouser Electronics

Authorized Distributor

Click to View Pricing, Inventory, Delivery & Lifecycle Information:

Samtec:

[GRF1H-8-0610-1-CA1-S-04BJ2](#)