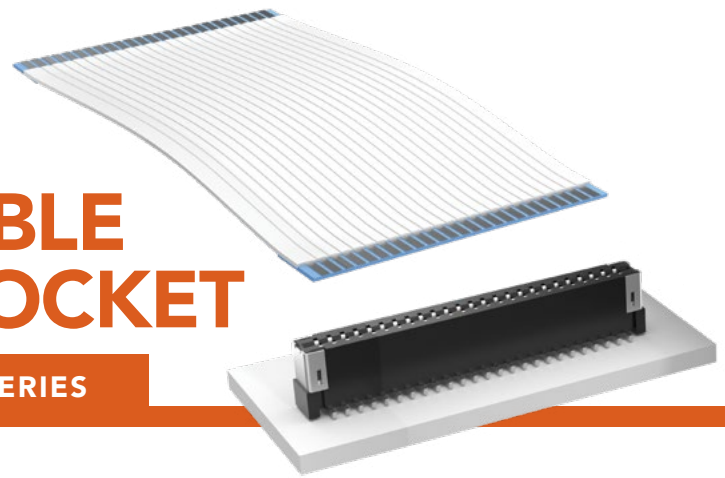


# FLAT FLEXIBLE CABLE (FCC) JUMPER & SOCKET

(1.00 mm) .0394" PITCH • FJ/ZF1/FC1 SERIES



## FJ

**Mates:**  
FC1, ZF1

## ZF1/FC1

**Mates:**  
FJ

### SPECIFICATIONS

#### FJ

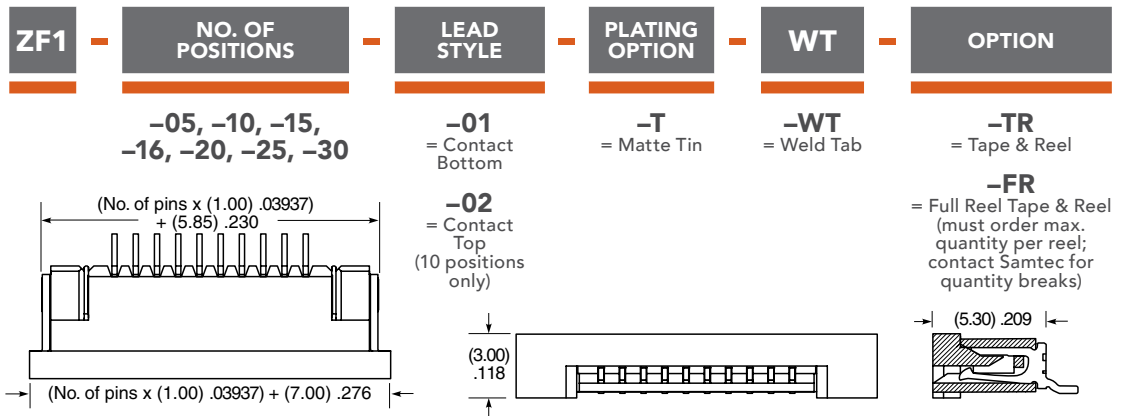
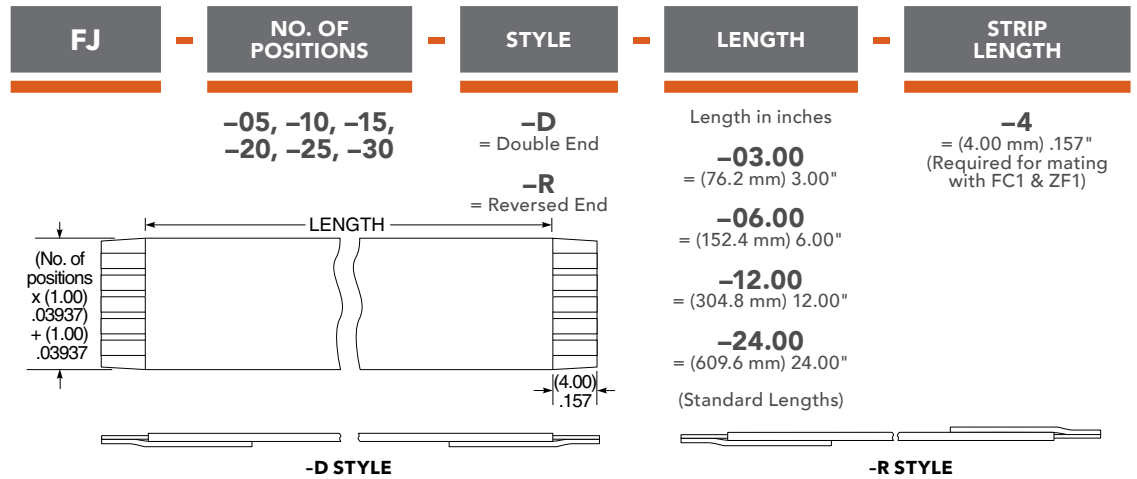
**Conductor:**  
Tin Plated Copper  
**Conductor Resistance:**  
300 Ω/km max  
**Insulation Resistance:**  
10 MΩ/km min  
(conductor-to-conductor)  
**Dielectric Test:**  
400 VAC during 1 minute  
(conductor-to-conductor)  
**Temperature Rating:**  
-30 °C to +80 °C  
**Voltage Rating:**  
300 VAC

#### ZF1

**Insulator Material:**  
Liquid Crystal Polymer  
**Contact Material:**  
Phosphor Bronze  
**Plating:**  
Sn over 40 μ" (1.02 μm) Ni  
**Weld Tab:** Phosphor Bronze  
**Operating Temp Range:**  
-55 °C to +105 °C

#### FC1

**Insulator Material:**  
Liquid Crystal Polymer  
**Contact Material:**  
Phosphor Bronze  
**Plating:**  
Sn over 50 μ" (1.27 μm) Ni  
**Operating Temp Range:**  
-55 °C to +105 °C  
**Max Cycles:**  
25 with FJ



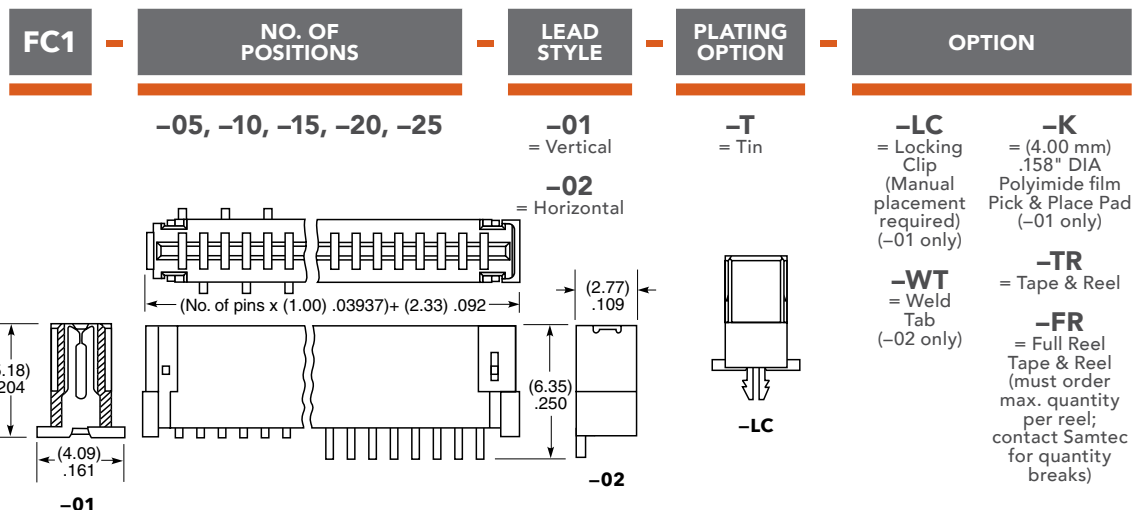
### PROCESSING

#### ZF1/FC1

**Lead-Free Solderable:**  
Yes  
**SMT Lead Coplanarity:**  
(0.10 mm) .004" max

**Notes:**  
FJ Stiffener color will be blue or black at Samtec's discretion.

Some sizes, styles and options are non-standard, non-returnable.



# Mouser Electronics

Authorized Distributor

Click to View Pricing, Inventory, Delivery & Lifecycle Information:

[Samtec:](#)

[FJ-30-D-12.99-4](#)