

# RUGGED HIGH-SPEED STRIPS

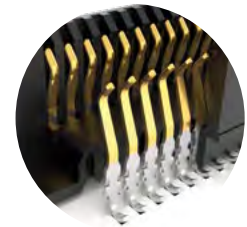


NRZ	PAM4
28 Gbps	56 Gbps

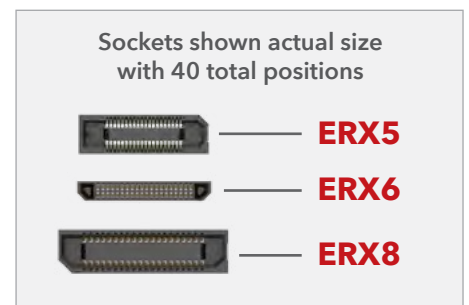
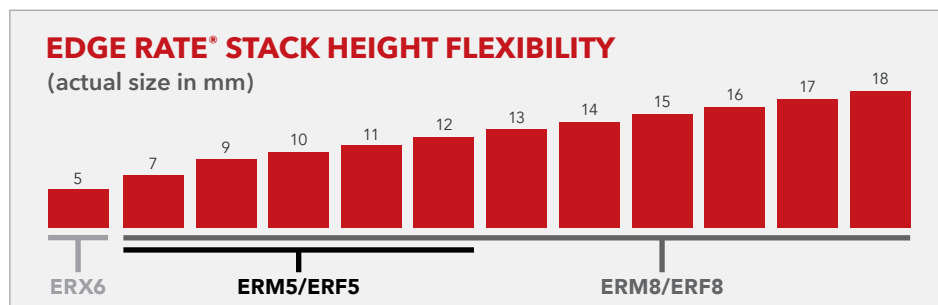
## FEATURES & BENEFITS

Edge Rate® rugged high-speed connector strips are designed for high speed, high cycle applications, and enabled by Samtec's signal integrity-optimized Edge Rate® contact system.

- Choice of 0.50 mm, 0.635 mm or 0.80 mm pitch
- 0.50 mm pitch system offers up to 40% PCB space savings vs. 0.80 mm pitch
- 0.635 mm pitch system with extremely slim 2.5 mm body width
- Rugged latching, locking and 360° shielding
- Up to 1.5 mm contact wipe; robust when "zippered" during unmating
- Compatible with UMPT/UMPS for power/signal flexibility



Signal integrity-optimized Edge Rate® contact system reduces broadside coupling



## KEY SPECIFICATIONS

SERIES	PITCH	STACK HEIGHTS	TOTAL PINS / PAIRS	INSULATOR MATERIAL	TERMINAL MATERIAL	PLATING	OPERATING TEMP RANGE	LEAD-FREE SOLDERABLE
ERM5 / ERF5	0.50 mm	7-12 mm	20-150	Black LCP	Phosphor Bronze or BeCu (ERM5), BeCu (ERF5)	Au or Sn over 50 μ" (1.27 μm) Ni	-55 °C to +125 °C	Yes
ERM6 / ERF6	0.635 mm	5 mm	20-120		Copper Alloy			
ERM8 / ERF8	0.80 mm	7-18 mm	10-200		Phosphor Bronze or BeCu (ERM8), BeCu (ERF8)			

**(0.80 mm) .0315" PITCH • SHIELDED HIGH-SPEED HEADERS & SOCKETS**

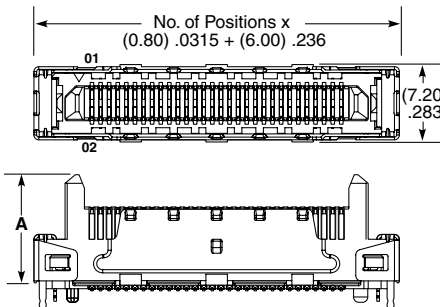
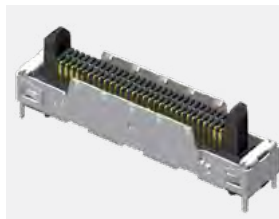
TYPE	POSITIONS PER ROW	LEAD STYLE	PLATING OPTION	DV	OPTIONS	"X"R
<b>ERM8</b> = Shielded Terminal	<b>-010,</b> <b>-020,</b> <b>-025,</b> <b>-030</b>	<b>-02.0</b> = 2 mm (ERM8 with -S only)	<b>-L</b> = 10 μ" (0.25 μm) Gold on contact, Matte Tin on tail		<b>-S</b> = Shield (Lead Styles: ERM8 -02.0 only; ERF8 -05.0 only)	<b>-TR</b> = Tape & Reel
<b>ERF8</b> = Shielded Socket		<b>-05.0</b> = 5 mm (ERF8 with -S & ERM8 with -EGPS & -DSS only)	<b>-S</b> = 30 μ" (0.76 μm) Gold on contact, Matte Tin on tail		<b>-EGPS</b> = Extended Guide Post Shield (Lead Styles: ERM8 -05.0 & -09.0 only; ERF8 -07.0 only)	<b>-FR</b> = Full Reel Tape & Reel (must order maximum quantity per reel; contact Samtec for quantity breaks)
		<b>-07.0</b> = 7 mm (ERF8 with -EGPS only)			<b>-DSS</b> = Differential Pair with Extended Guide Post Shield (ERM8 only, with -05.0 & -09.0 Lead Styles, -10 & -025 Pos. only)	
		<b>-09.0</b> = 9 mm (ERM8 with -EGPS & -DSS only)			<b>-K</b> = Polyimide Film Pick & Place Pad (-02.0 Lead Style N/A)	
					<b>-P</b> = Pick & Place Pad (ERM8 -02.0 & -05.0 Lead Styles only)	

**ERM8-S**

**Board Mates:**

See "Mated Height" Chart

(Note: ERF8-S does not mate with ERM8-EGPS)



LEAD STYLE	A	B
-05.0	(9.87) .389	(10.81) .425
-09.0	(13.87) .546	(14.81) .583

**-S OPTION**

**-EGPS OR -DSS OPTION**

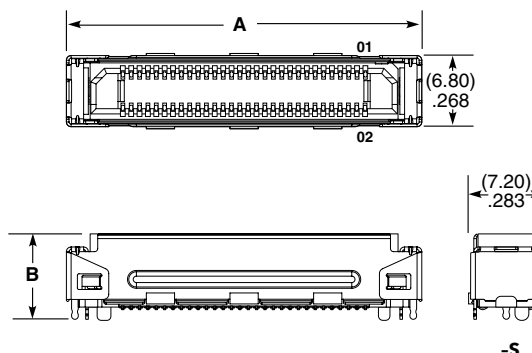
View complete specifications at: [samtec.com?ERM8](http://samtec.com?ERM8)

**ERF8-S**

**Board Mates:**

See "Mated Height" Chart

(Note: ERM8-EGPS does not mate with ERF8-S)



LEAD STYLE	B (-S)	B (-EGPS)
-05.0	(5.90) .232	N/A
-07.0	N/A	(7.42) .292

POSITIONS PER ROW	A
-010	(18.00) .71
-020	(26.00) 1.02
-025	(30.00) 1.18
-030	(34.00) 1.34

**-S**

View complete specifications at: [samtec.com?ERF8](http://samtec.com?ERF8)

**Note:**

Some lengths, styles and options are non-standard, non-returnable.

# Mouser Electronics

Authorized Distributor

Click to View Pricing, Inventory, Delivery & Lifecycle Information:

[Samtec:](#)

[ERF8-025-01-L-D-EM4-TR](#)