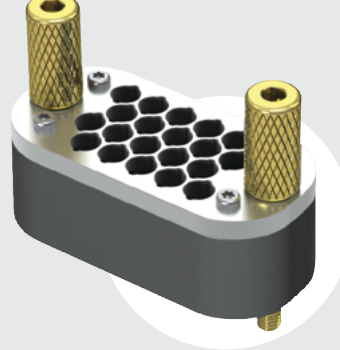


BQR-J-20



BQR SERIES

QUAD ROW REPLACEMENT BLOCK

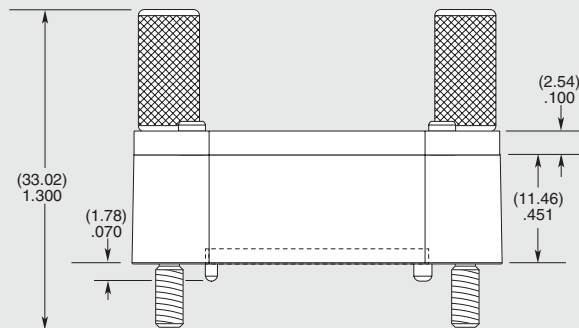
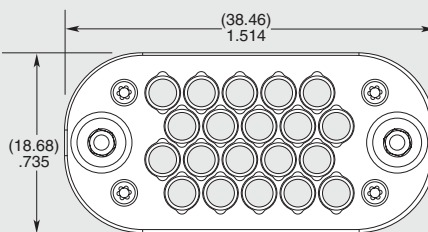
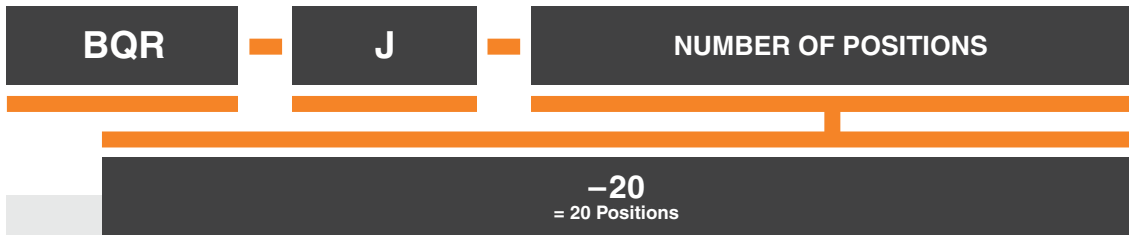
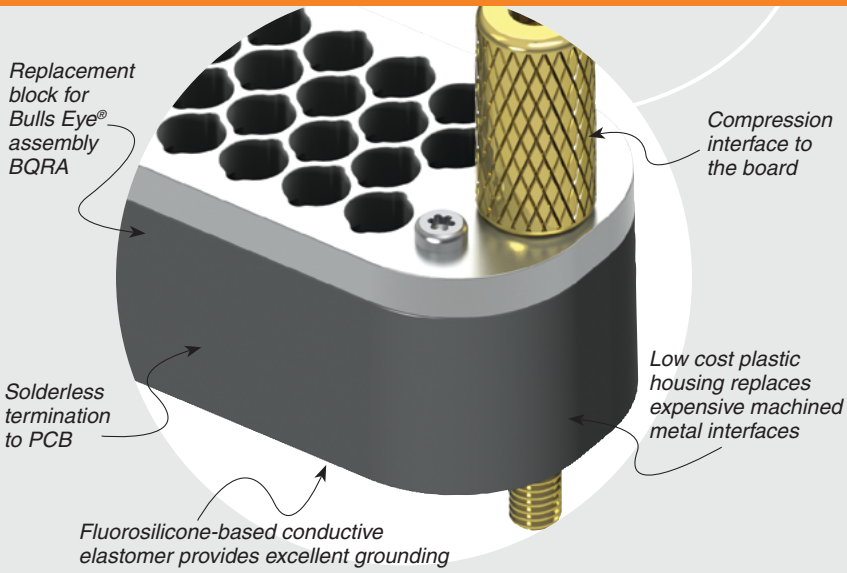
SPECIFICATIONS

For complete specifications and recommended PCB layouts see www.samtec.com?BQR

Available with:
BQRA

OTHER SOLUTIONS

- Replacement elastomer gaskets available
- Contact Samtec.



Patent:
7544093

Note:
Some lengths, styles and options are non-standard, non-returnable.

Due to technical progress, all designs, specifications and components are subject to change without notice.

WWW.SAMTEC.COM

All parts within this catalog are built to Samtec's specifications.
Customer specific requirements must be approved by Samtec and identified in a Samtec customer-specific drawing to apply.

Mouser Electronics

Authorized Distributor

Click to View Pricing, Inventory, Delivery & Lifecycle Information:

[Samtec:](#)

[BQR-J-20](#)