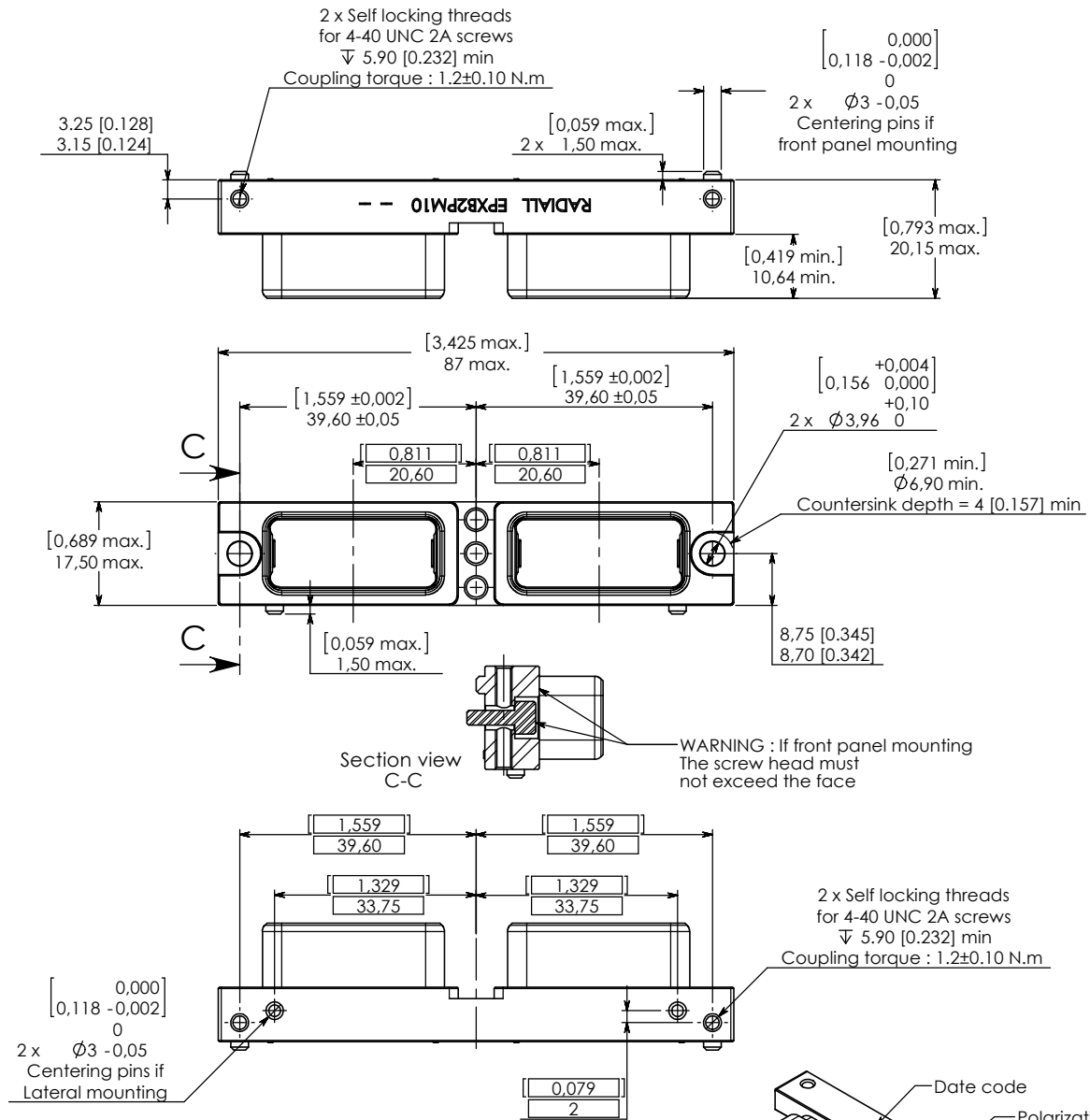


Series
EPXB

PLUG CONNECTOR WITH 2 INSERT CAVITIES
FOR RACK AND PANEL APPLICATION - FRONT OR LATERAL PANEL MOUNTING

Issue:
Mar 22, 2012

Page
1/3



MATERIAL & FINISHES :

- Shell : aluminum alloy ; Nickel plated
- Insert retention clip : Beryllium copper
- Polarization posts : high grade thermoplastic

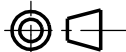
CONNECTOR SUPPLIED WITH :

- Dust cap installed on each cavity
- 3 Polarization posts, uninstalled.

NOTE :

To ensure electrical performances, the shell to shell bottoming has to be ensured between plug & receptacle connectors.
 Maximum misalignement allowed between plug & receptacle connectors is : ±1.05 max [0.041 max]

DIMENSIONS : mm (inch are given for information only)



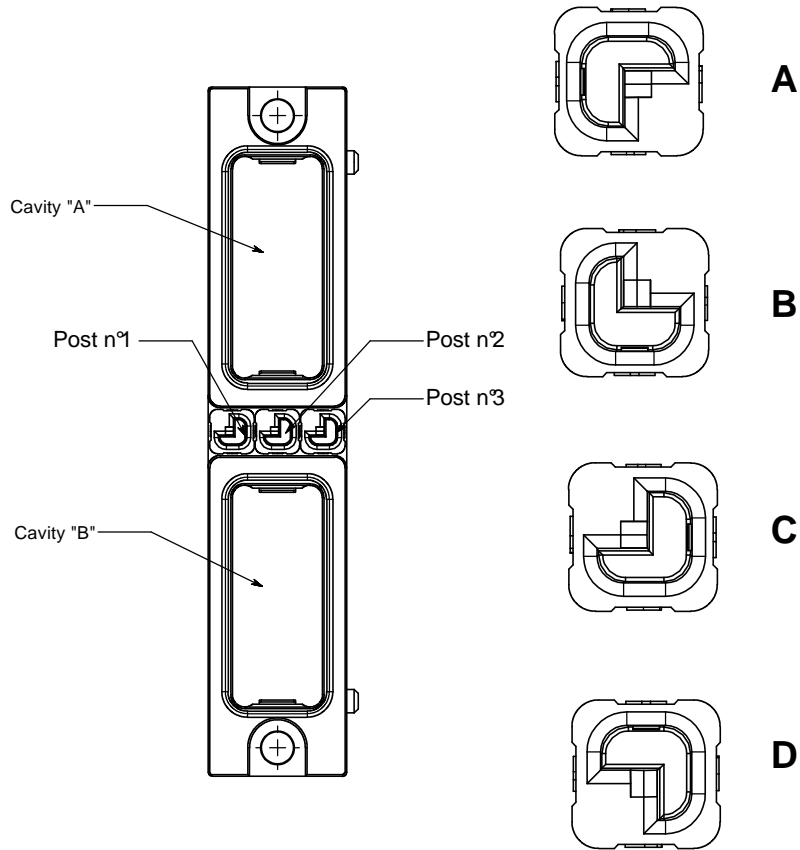
Estimated weight : 21 g

Confidential information not to be disclosed to third parties without Radiall approval. This information is given as an indication. In the continual goal to improve our products, we reserve the right to make any modifications judged necessary.

4112_9311

CREATION					
PEN:					
NOM: PAILOT N.					
DATE: Dec 27, 11					
APPR.: LE GLOAHEC	Mar 22, 12	P/N modified : was EPXB2PM1 & fully mated condition added	Pailot N.	legloahc Y	
	Issue	Revisions	Name	Approved	

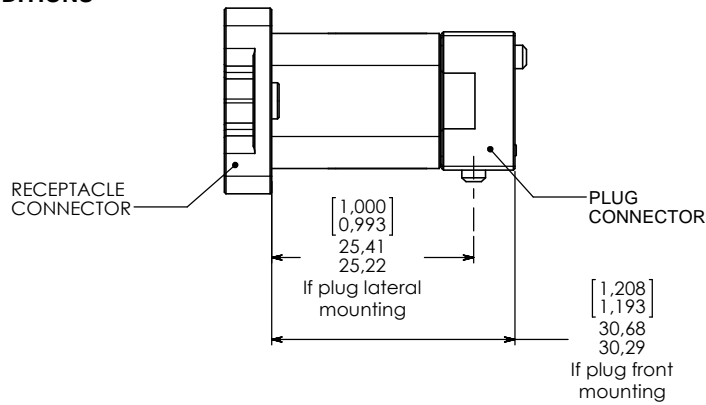
Polarization posts :
Connector is shown front side with polarization posts
Example : Code CCC shown



Confidential information not to be disclosed to third parties without Radiall approval
This information is given as an indication. In the continual goal to improve our products, we reserve the right to make any modifications judged necessary.

4112_9311

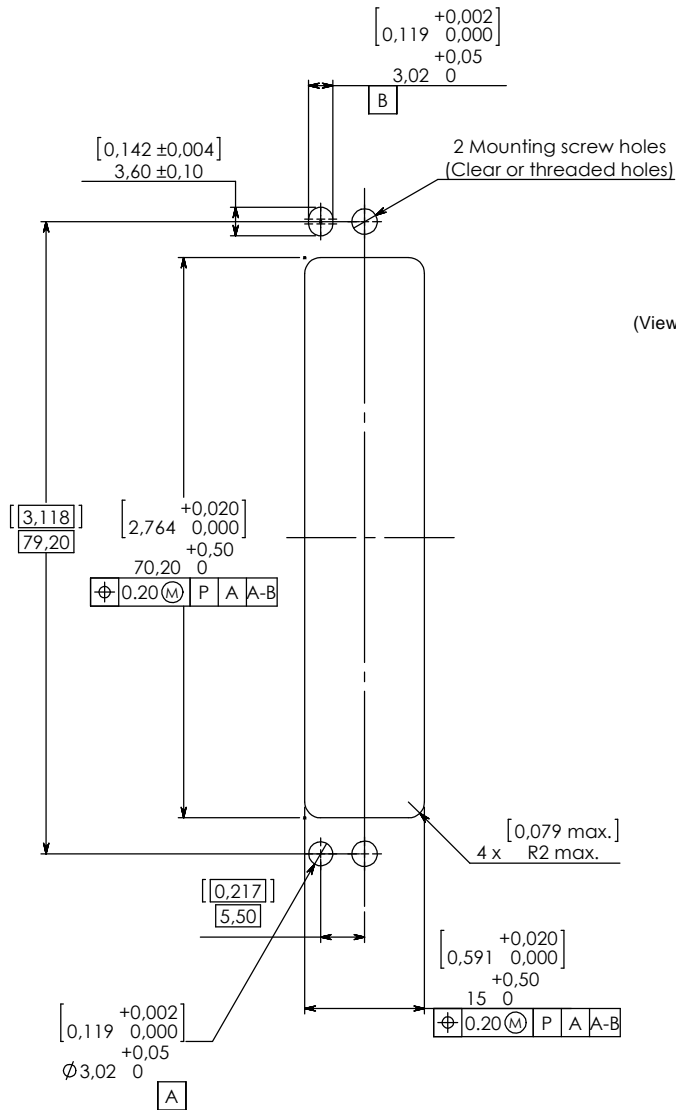
FULLY MATED CONDITIONS



Recommended panel cut out :

Recommended panel cut out if the connector is front mounted on a panel.

[P] = Panel face



Confidential information not to be disclosed to third parties without Radiall approval. This information is given as an indication. In the continual goal to improve our products, we reserve the right to make any modifications judged necessary.

4112_9311

Mouser Electronics

Authorized Distributor

Click to View Pricing, Inventory, Delivery & Lifecycle Information:

Radial:

[EPXB2PM10](#)