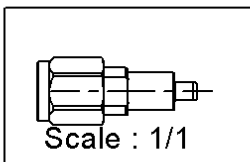
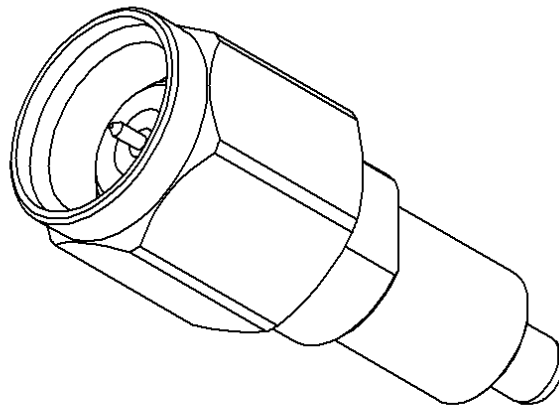
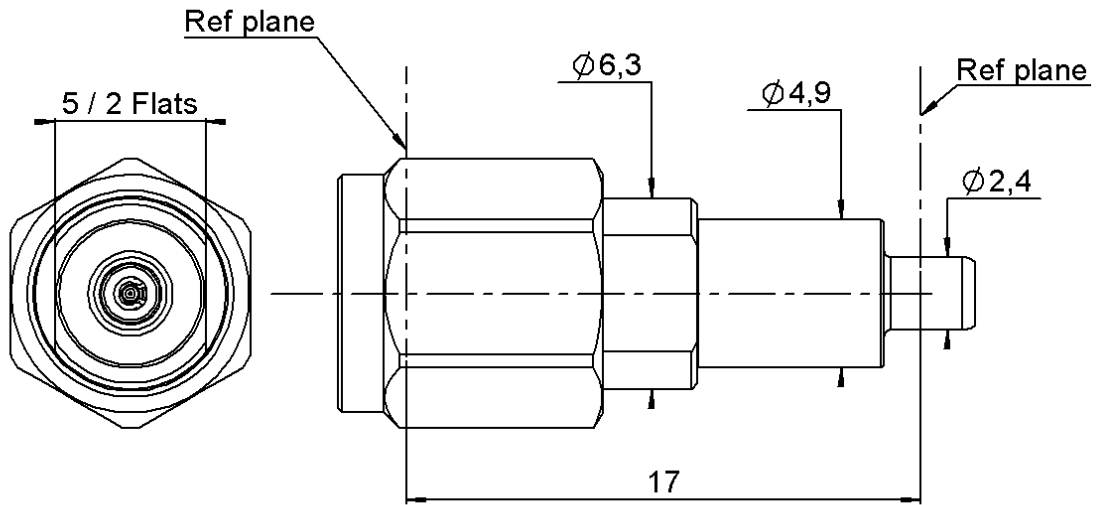
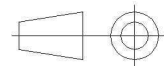


PAGE 1/2	ISSUE 1339	SERIES ADAPT-MES	PART NUMBER R191554000
----------	------------	------------------	------------------------



All dimensions are in mm.



COMPONENTS	MATERIALS	PLATING (μm)
Body	BERYLLIUM COPPER	GOLD 1.3 OVER NICKEL2
Center contact	BERYLLIUM COPPER	NPGR
Outer contact	-	-
Insulator	PEEK	
Gasket	-	
Others parts	BERYLLIUM COPPER	NICKEL 2
-	-	-
-	-	-

PAGE 2/2	ISSUE 1339	SERIES ADAPT-MES	PART NUMBER R191554000
-----------------	-------------------	-------------------------	-------------------------------

PACKAGING

Standard	Unit	Other
UNITAIRE	-	Contact us

ELECTRICAL CHARACTERISTICS

Impedance		50		Ω
Frequency		0-40		GHz
VSWR	1.05	+	0,0040	x F(GHz) Maxi
Insertion loss			0.25	√F(GHz) dB Maxi
RF leakage		-	NA	- F(GHz) dB Maxi
Voltage rating			335	Veff Maxi
Dielectric withstanding voltage			500	Veff mini
Insulation resistance			5000	MΩ mini

ENVIRONMENTAL

Operating	-65/+175	°C
Hermetic seal		Atm.cm3/s
Panel leakage		

MECHANICAL CHARACTERISTICS

Center contact retention				
Axial force – Mating End		7		N mini
Axial force – Opposite end		7		N mini
Torque		NA		N.cm mini
Recommended torque				
Mating		95		N.cm
		0		N.cm
		0		N.cm
Panel nut				N.cm
Mating life		500		Cycles mini
Weight		3,9700		g

SPECIFICATION

OTHER CHARACTERISTICS

Mouser Electronics

Authorized Distributor

Click to View Pricing, Inventory, Delivery & Lifecycle Information:

[Radial:](#)

[R191554000](#)