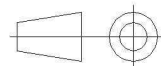
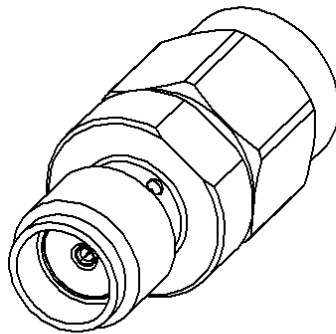
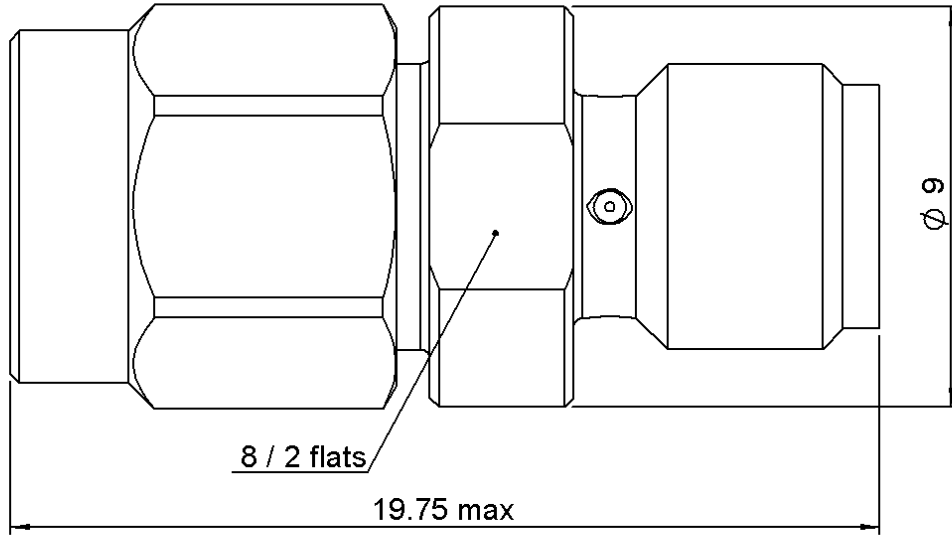


**SMA DC BLOCK**  
**0.01 - 6 GHZ 10W**

**R443.131.000**  
 Series : **ATTENUATOR**



All dimensions are in mm.

COMPONENTS	MATERIALS	PLATING(µm)
BODY	BRASS	NICKEL 2
MALE CENTER CONTACT	BRASS	GOLD 0.5 OVER NICKEL 2
FEMALE CENTER CONTACT	BERYLLIUM COPPER	GOLD 0.5 OVER NICKEL 2
OUTER CONTACT		
INSULATOR	PTFE	
GASKET	SILICONE RUBBER	
SUBSTRATE		
RESISTOR		
OTHERS PARTS		

Issue : 1110 A

In the effort to improve our products, we reserve the right to make changes judged to be necessary.



**SMA DC BLOCK**  
**0.01 - 6 GHZ 10W**

**R443.131.000**  
Series : **ATTENUATOR**

**ELECTRICAL CHARACTERISTICS**

Frequency (GHz)	0.01 - 3	3 - 6
V.S.W.R (≤)	1.20	1.30
Insertion loss(≤)	0.30	0.50

Operating Frequency Range	0.01 - 6	GHz
Impedance	50	Ω
Main line maximum voltage	60	V
Typical capacitance	4700	pF
Average power at 25°C	10	W (Free Air Cooled)
		W (Conduction Cooled)

**MECHANICAL CHARACTERISTICS**

Connectors	SMA	Male Female	MIL-C 39012
Weight	4,2500 g		

**ENVIRONMENTAL CHARACTERISTICS**

Operating temperature range	-40 / +85 °C
Storage temperature range	-40 / +85 °C



**SPECIFICATION**

**OTHER CHARACTERISTICS**

Issue : 1110 A

In the effort to improve our products, we reserve the right to make changes judged to be necessary.



# Mouser Electronics

Authorized Distributor

Click to View Pricing, Inventory, Delivery & Lifecycle Information:

[Radial:](#)

[R443131000](#)