

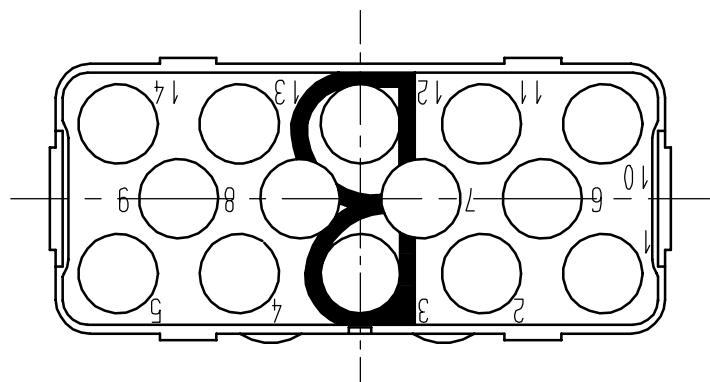
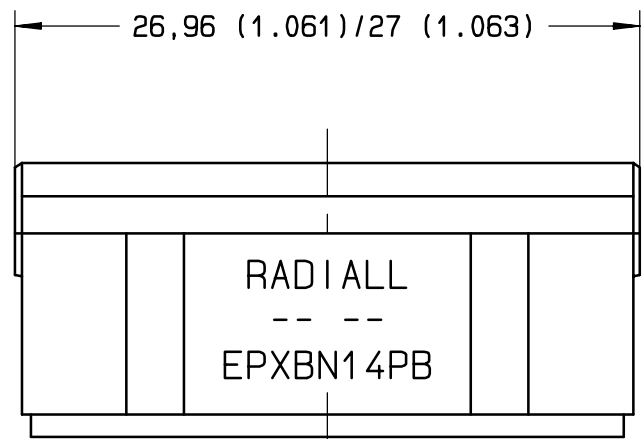
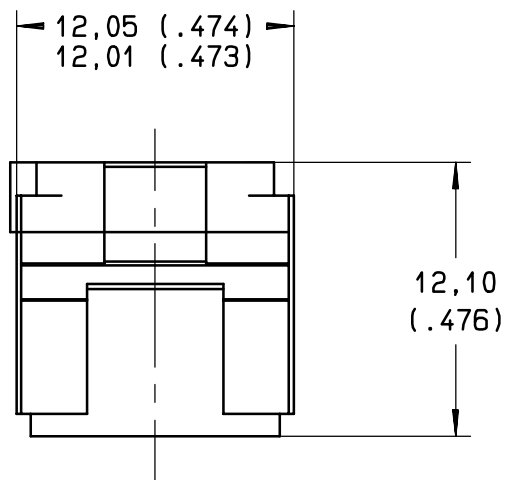
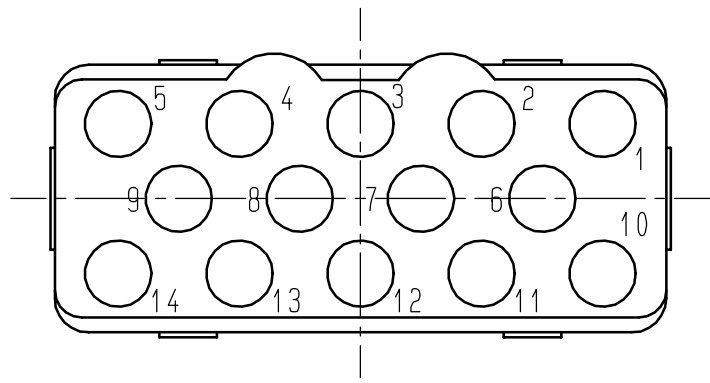


Series
EPXB

Insert
For 14 size 16 pin contacts
With polarization B.

Issue:
Jan 29, 2001

Page
1 / 1



Materials:

Thermosetting fiberglass filled per ASTM D 5948-96, with metallic retention clips per ASTM-B-194.

Temperature range: -65°C +175°C (-85°F +347°F).

DIMENSIONS : mm (inch) -

This information is given as an indication. In the continual goal to improve our products, we reserve the right to make any modifications judged necessary.
4112-9610

CREATION				
PEN:				
NOM: L.Garcia				
DATE: Sept 14, 00				
APPR.:	01.29.01	Modif. of marking.	G.Chevreau	G.Motteau
	Issue	Revisions	Name	Approved

Mouser Electronics

Authorized Distributor

Click to View Pricing, Inventory, Delivery & Lifecycle Information:

Radial:

[EPXBN14PB](#)