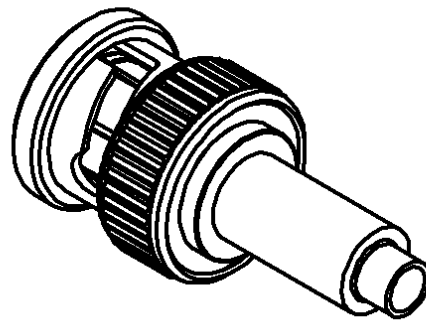
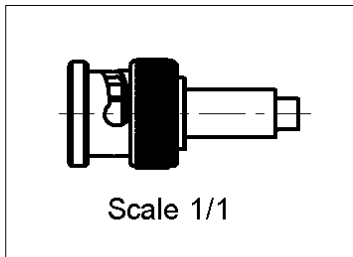
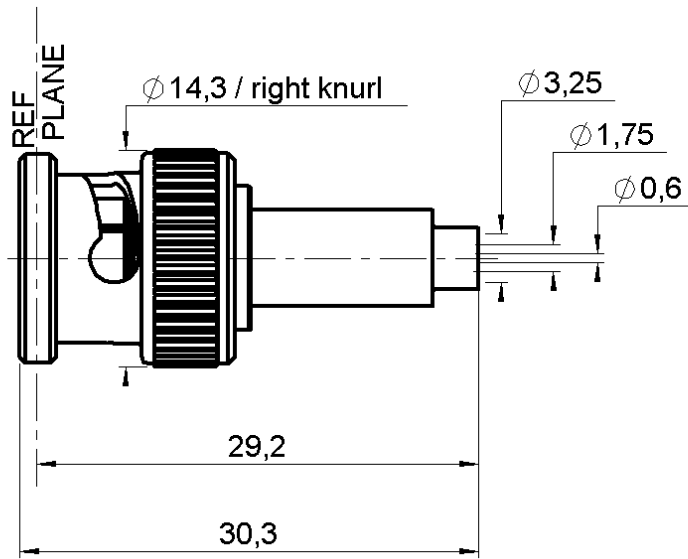


STRAIGHT PLUG CRIMP TYPE

R141.075.161

CABLE 2.6/50 S

Series : **BNC-COM**



All dimensions are in mm.



| COMPONENTS | MATERIALS | PLATINGS (µm) |
|----------------|------------------|------------------------|
| BODY | BRASS | NICKEL 2 |
| CENTER CONTACT | BRASS | GOLD 0.2 OVER NICKEL 2 |
| OUTER CONTACT | - | - |
| INSULATOR | PTFE , POLYAMIDE | - |
| GASKET | SILICONE RUBBER | - |
| OTHERS PARTS | - | - |
| - | - | - |
| - | - | - |

Issue : 0325 C

In the effort to improve our products, we reserve the right to make changes judged to be necessary.



STRAIGHT PLUG CRIMP TYPE

R141.075.161

CABLE 2.6/50 S

Series : **BNC-COM**

PACKAGING

| Standard | Unit | Other |
|------------|-------------------|-------------------|
| 100 | 'W' option | Contact us |

SPECIFICATION

ELECTRICAL CHARACTERISTICS

| | | |
|---------------------------------|--------------|------------------------------|
| Impedance | | 50 Ω |
| Frequency | | 0-1.5 GHz |
| VSWR | 1.8 + | 0.000 x F(GHz) Maxi |
| Insertion loss | | 0.115 √F(GHz) dB Maxi |
| RF leakage | - (| NA - F(GHz)) dB Maxi |
| Voltage rating | | 500 Veff Maxi |
| Dielectric withstanding voltage | | 1500 Veff mini |
| Insulation resistance | | 5000 MΩ mini |

CABLE ASSEMBLY

| Stripping | a | b | c | d | e | f |
|-----------|------|------|------|------|------|------|
| mm | 4.00 | 10.0 | 18.5 | 0.00 | 14.5 | 0.00 |

Assembly instruction : **Crimp 03**

Recommended cable(s)
 KX 22A
 RG 188
 RG 316

Characteristics indicated on this data sheet are those that can be achieved with the highest performance cable. Intrinsic limitations of the cable may diminish the performance of the assembly

Cable retention

- pull off **40** N mini
 - torque **NA** N.cm

MECHANICAL CHARACTERISTICS

| | | |
|----------------------------|-----------|-----------|
| Center contact retention | | |
| Axial force – Mating end | 10 | N mini |
| Axial force – Opposite end | 10 | N mini |
| Torque | NA | N.cm mini |

TOOLING

| Part Number | Description | Hexagon |
|--------------|---------------|-----------|
| . | . | . |
| R282.223.000 | CRIMPING TOOL | 1.73.5.41 |
| R282.235.011 | CRIMPING DIES | 1.73.5.41 |
| R282.293.000 | CRIMPING TOOL | - |

| | | |
|--------------------|--------------|------|
| Recommended torque | | |
| Mating | NA | N.cm |
| Panel nut | NA | N.cm |
| Clamp nut | NA | N.cm |
| A/F clamp nut | 0.000 | mm |

| | | |
|-------------|--------------|-------------|
| Mating life | 100 | Cycles mini |
| Weight | 8.800 | g |

OTHERS CHARACTERISTICS

-

ENVIRONMENTAL

| | | |
|-----------------------|----------------|-----------|
| Operating temperature | -35/+70 | ° C |
| Hermetic seal | NA | Atm.cm3/s |
| Panel leakage | NA | |

Issue : 0325 C

In the effort to improve our products, we reserve the right to make changes judged to be necessary.



Mouser Electronics

Authorized Distributor

Click to View Pricing, Inventory, Delivery & Lifecycle Information:

[Radial:](#)

[R141075161W](#)