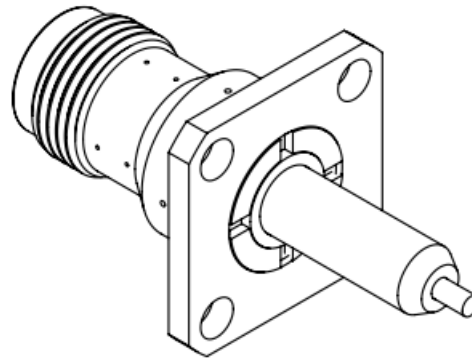
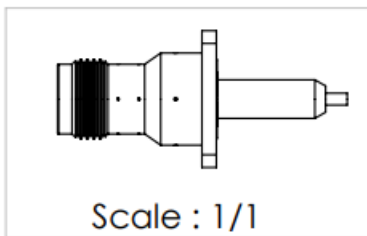
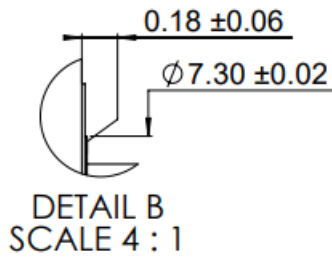
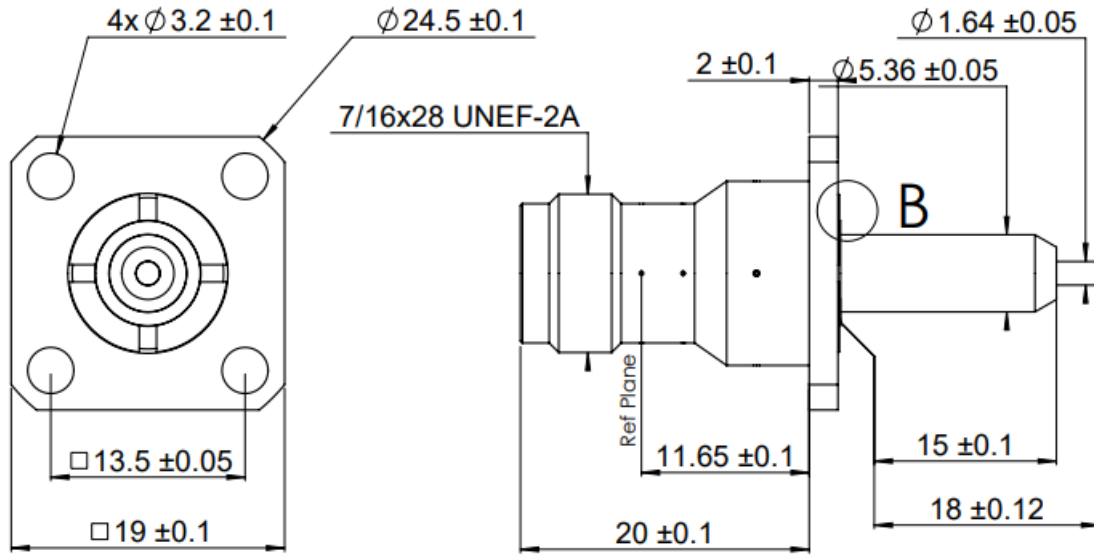
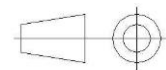


PAGE 1/2	ISSUE 280722A	SERIES TNC-S	PART NUMBER R143416604
----------	----------------------	---------------------	-------------------------------



All dimensions are in mm.



COMPONENTS	MATERIALS	PLATING (µm)
Body	BERYLLIUM COPPER	GOLD 2.5 OVER COPPER 2.5
Center contact	BERYLLIUM COPPER	GOLD 2.5 OVER COPPER 2.5
Outer contact	Cu Zn 39 Pb 3 ou CW614N	GOLD 2.5 OVER COPPER 2.5
Insulator	PTFE	
Gasket		
Others parts	RULON H (AKA FLUOROLOY H)	
-	-	-
-	-	-

PAGE 2/2	ISSUE 280722A	SERIES TNC-S	PART NUMBER R143416604
----------	---------------	--------------	------------------------

PACKAGING

Standard	Unit	Other
1	-	Contact us

ELECTRICAL CHARACTERISTICS

Impedance		50	Ω
Frequency		DC-8	GHz
VSWR	1.1	+	0,020 x F(GHz) Maxi
Insertion loss		0.02+0.04	√F(GHz) dB Maxi
RF leakage	- (115	- F(GHz)) dB Maxi
Voltage rating		500	Vrms Maxi
Dielectric withstanding voltage		1500	Vrms mini
Insulation resistance		5000	MΩ mini

MECHANICAL CHARACTERISTICS

Center contact retention			
Axial force – Mating End		27.2	N mini
Axial force – Opposite end		27.2	N mini
Torque		2.8	N.cm mini
Recommended torque			
Mating		265	N.cm
Panel nut		60	N.cm
Mating life		500	Cycles Maxi
Weight		16,800	g Maxi

ENVIRONMENTAL

Operating temperature	-65 /+165	°C
Hermetic seal	NA	Atm.cm3/s
Panel leakage	NA	

SPECIFICATION

According to ESCC3402
According to ESCC3402 027

OTHER CHARACTERISTICS

Assembly instruction:

Others:

Power level : see ESCC3402 027

Mouser Electronics

Authorized Distributor

Click to View Pricing, Inventory, Delivery & Lifecycle Information:

[Radial:](#)

[R143416604](#)