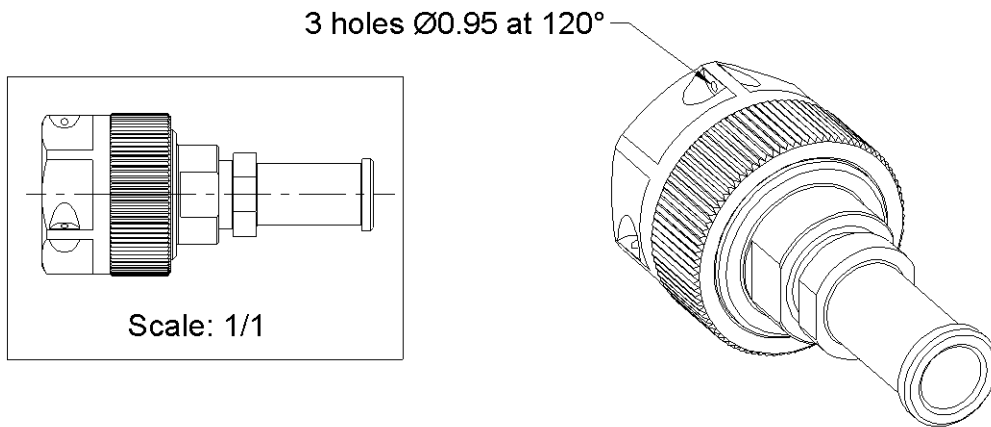
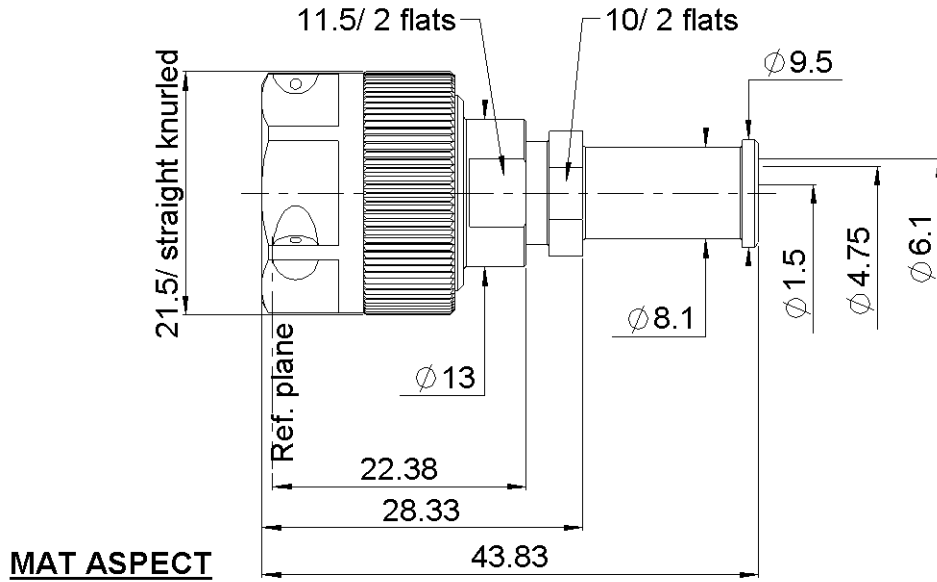
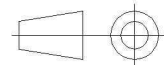


PAGE 1/2	ISSUE 1425A	SERIES N-18	PART NUMBER R163065L60
----------	-------------	-------------	------------------------



All dimensions are in mm.



COMPONENTS	MATERIALS	PLATING (µm)
Body	STAINLESS STEEL (316L)	-
Center contact	BRASS	GOLD 1.3 OVER NICKEL2
Outer contact	-	-
Insulator	PTFE	-
Gasket	FLUOROSILICON	-
Others parts	STEEL, BRASS	GOLD , PASSIVATED
-	-	-
-	-	-

PAGE 2/2	ISSUE 1425A	SERIES N-18	PART NUMBER R163065L60
-----------------	--------------------	--------------------	-------------------------------

PACKAGING

Standard	Unit	Other
25	Contact us	Contact us

ELECTRICAL CHARACTERISTICS

Impedance	50	Ω
Frequency	0-18	GHz
VSWR	1.15 + 0,0000	x F(GHz) Maxi
Insertion loss	0.1	\sqrt{F} (GHz) dB Maxi
RF leakage	- (90)	- F(GHz)) dB Maxi
Voltage rating	500	Veff Maxi
Dielectric withstanding voltage	1500	Veff mini
Insulation resistance	5000	M Ω mini

MECHANICAL CHARACTERISTICS

Center contact retention		
Axial force – Mating End	27	N mini
Axial force – Opposite end	27	N mini
Torque	NA	N.cm mini
Recommended torque		
Mating	400	N.cm
Panel nut		N.cm
Clamp nut	350	N.cm
A/F clamp nut	10,0000	mm
Mating life	500	Cycles mini
Weight	37,2500	g

ENVIRONMENTAL

Operating temperature	-65/+165	$^{\circ}\text{C}$
Hermetic seal		Atm.cm3/s
Panel leakage	*IP67	

SPECIFICATION

CABLE ASSEMBLY

Stripping	a	b	c	d	e	f
mm	3,5	14	0	0	0	0

Assembly instruction: **SHF solder 01**

Recommended cable(s)

SHF5
SHF5M

Characteristics indicated on this data sheet are those that can be achieved with the highest performance cable. Intrinsic limitations of the cable may diminish the performance of the assembly

Cable retention

- pull off	TBD	N mini
- torque	NA	N.cm

TOOLING

Part Number	Description	Hexagon
R282740043	CONNECTORS SOLDERING MOUNTING KIT	

OTHER CHARACTERISTICS

***When mated with female connector**

Mouser Electronics

Authorized Distributor

Click to View Pricing, Inventory, Delivery & Lifecycle Information:

[Radial:](#)

[R163065L60](#)