

## RF CHARACTERISTICS

Frequency range : **0 - 40 GHz**  
Impedance : **50 Ohms**

| Frequency (GHz)    | DC - 6         | 6 - 12.4       | 12.4 - 18      | 18 - 26.5      | 26.5 - 40      |
|--------------------|----------------|----------------|----------------|----------------|----------------|
| VSWR max           | <b>1.30</b>    | <b>1.40</b>    | <b>1.50</b>    | <b>1.70</b>    | <b>1.90</b>    |
| Insertion loss max | <b>0.30 dB</b> | <b>0.40 dB</b> | <b>0.50 dB</b> | <b>0.70 dB</b> | <b>0.80 dB</b> |
| Isolation min      | <b>70 dB</b>   | <b>60 dB</b>   | <b>60 dB</b>   | <b>55 dB</b>   | <b>50 dB</b>   |
| Average power (*)  | <b>80 W</b>    | <b>60 W</b>    | <b>50 W</b>    | <b>20 W</b>    | <b>10 W</b>    |

## ELECTRICAL CHARACTERISTICS

Actuator : **LATCHING**  
Nominal current \*\* : **320 mA**  
Actuator voltage (Vcc) : **12V (10.2 to 13V) / POSITIVE COMMON**  
Terminals : **9 pins D-SUB male connector**  
Indicator rating : **1 W / 30 V / 100 mA**  
Self cut-off time : **40 ms < CT < 120 ms**

## MECHANICAL CHARACTERISTICS

Connectors : **SMA 2.9 female per MIL-C 39012**  
Life : **2.5 million cycles**  
Switching Time\*\*\* : **< 15 ms**  
Construction : **Splashproof**  
Weight : **< 100 g**

## ENVIRONMENTAL CHARACTERISTICS

Operating temperature range : **-40°C to +85°C**  
Storage temperature range : **-55°C to +85°C**

(\* Average power at 25°C per RF Path)

(\*\* At 25° C ±10%)

(\*\*\* Nominal voltage ; 25° C)



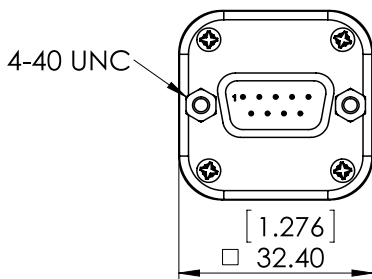
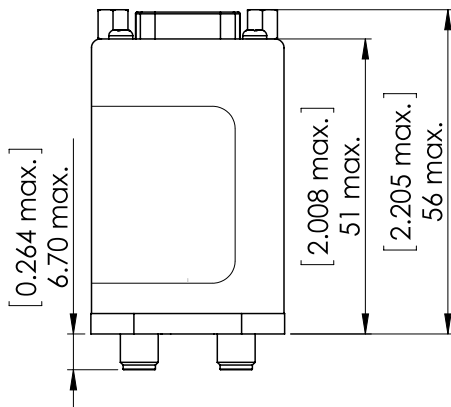
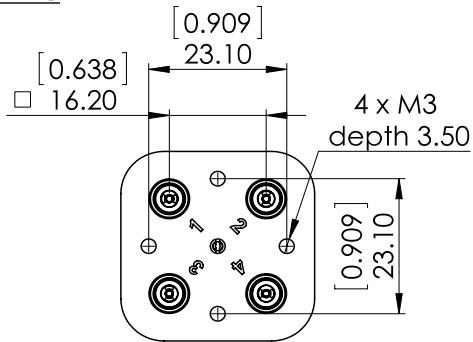
PAGE 2/2

ISSUE 06-02-18

SERIE : DPDT

PART NUMBER : R577862017

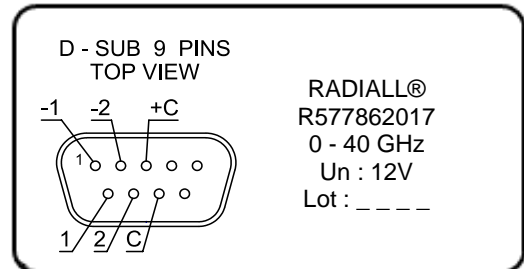
**DRAWING**



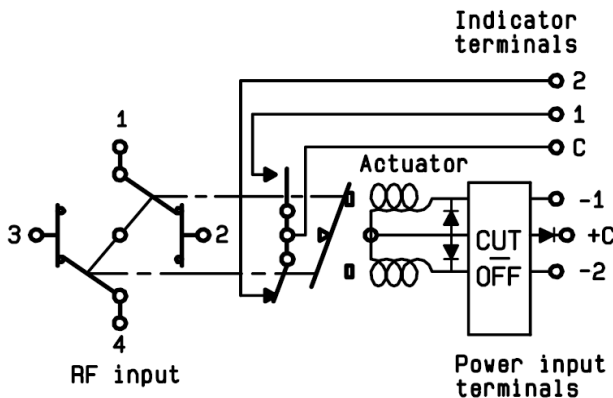
General tolerances : ±0,5 mm [0,02 in]



**LABEL**



**SCHEMATIC DIAGRAM**



| Voltage | RF Continuity | Ind. |
|---------|---------------|------|
| +C -1   | 1 ↔ 3 / 2 ↔ 4 | C.1  |
| +C -2   | 1 ↔ 2 / 3 ↔ 4 | C.2  |

# Mouser Electronics

Authorized Distributor

Click to View Pricing, Inventory, Delivery & Lifecycle Information:

[Radial:](#)

[R577862017](#)