

PAGE 1/2

ISSUE 10-07-19

SERIE : SPnT

PART NUMBER : R574J22400

## RF CHARACTERISTICS

Number of ways : 4  
 Frequency range : 0 - 50 GHz  
 Impedance : 50 Ohms

| Frequency (GHz)    | DC - 6  | 6 - 12.4 | 12.4 - 18 | 18 - 26.5 | 26.5 - 40 | 40 - 50 |
|--------------------|---------|----------|-----------|-----------|-----------|---------|
| VSWR max           | 1.30    | 1.40     | 1.50      | 1.70      | 1.90      | 2.20    |
| Insertion loss max | 0.20 dB | 0.40 dB  | 0.50 dB   | 0.70 dB   | 0.90 dB   | 1.20 dB |
| Isolation min      | 70 dB   | 60 dB    | 60 dB     | 55 dB     | 50 dB     | 50 dB   |
| Average power (*)  | 40 W    | 30 W     | 25 W      | 15 W      | 5 W       | 3 W     |

TERMINATION IMPEDANCE : 50 Ohms  
 TERM. AVG. POWER AT 25° C : 1 W per termination / 3 W total power

## ELECTRICAL CHARACTERISTICS

Actuator : LATCHING  
 Nominal current \*\* : 320 mA / RESET : 1280 mA \*\*\*\*  
 Actuator voltage (Vcc) : 12V (10.2 to 13V) / NEGATIVE COMMON  
 Terminals : solder pins (250°C max. / 30 sec.)

## MECHANICAL CHARACTERISTICS

Connectors : 2.4mm female (According to IEEE STD 287)  
 Life : 2 million cycles per position  
 Switching Time\*\*\* : < 15 ms  
 Construction : Splashproof  
 Weight : < 250 g

## ENVIRONMENTAL CHARACTERISTICS

Operating temperature range : -25°C to +70°C  
 Storage temperature range : -40°C to +85°C

- (\* Average power at 25°C per RF Path)
- (\*\* At 25° C ±10%)
- (\*\*\* Nominal voltage ; 25° C)
- (\*\*\*\* Reset : supply voltage time 1sec. max. / duty cycle 10%)



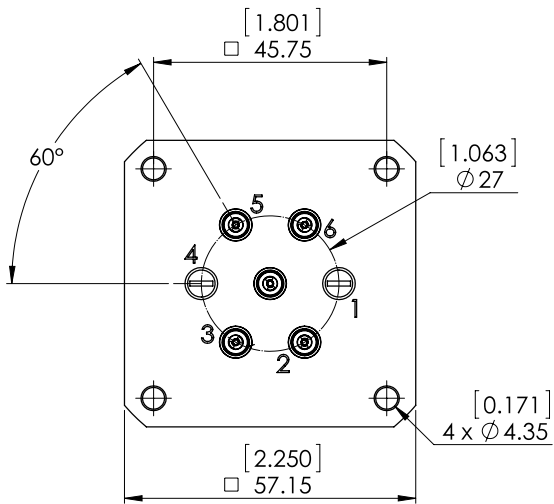
PAGE 2/2

ISSUE 10-07-19

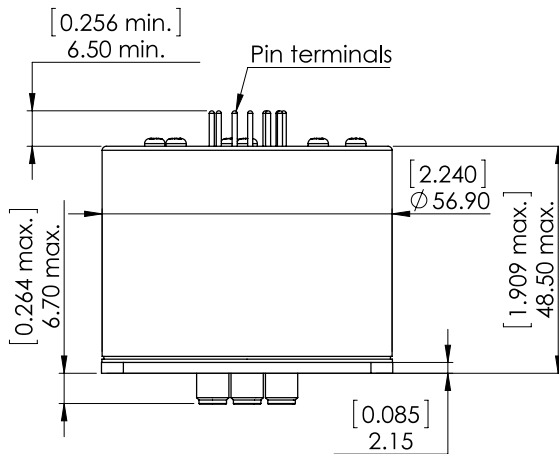
SERIE : SPnT

PART NUMBER : R574J22400

**DRAWING**

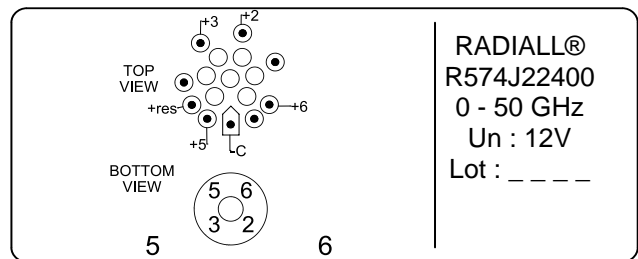


| Voltage   | RF Continuity  |
|-----------|----------------|
| -C +RESET | All ports open |
| -C +2     | IN ↔ 2         |
| -C +3     | IN ↔ 3         |
| -C +5     | IN ↔ 5         |
| -C +6     | IN ↔ 6         |

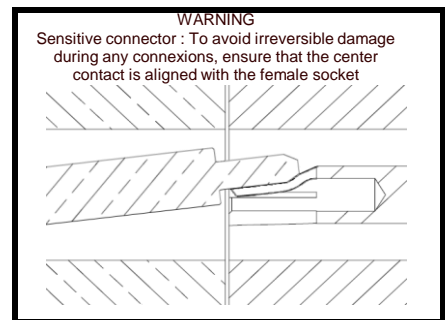
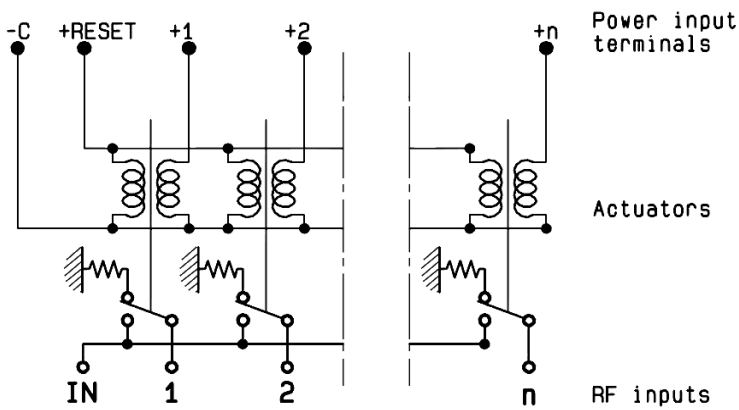


General tolerances : ±0,5 mm [0,02 in]

**LABEL**



**SCHEMATIC DIAGRAM**



# Mouser Electronics

Authorized Distributor

Click to View Pricing, Inventory, Delivery & Lifecycle Information:

Radial:

[R574J22400](#)