



**50Ω TERMINATED 18 GHz SMA N/O S.P.6 T. SWITCH**

OPTIONS:

**R F CHARACTERISTICS**

NUMBER OF WAYS : 6  
 FREQUENCY RANGE : 0 - 18 GHz  
 IMPEDANCE : 50 Ohms

|                 |         |         |         |          |
|-----------------|---------|---------|---------|----------|
| FREQUENCY (GHz) | 0 - 3   | 3 - 8   | 8 -12.4 | 12.4- 18 |
| V.S.W.R <=      | 1.20    | 1.30    | 1.40    | 1.50     |
| INSERT. LOSS <= | 0.20 dB | 0.30 dB | 0.40 dB | 0.50 dB  |
| ISOLATION >=    | 80 dB   | 70 dB   | 60 dB   | 60 dB    |
| AVER. POWER (*) | 240 W   | 150 W   | 120 W   | 100 W    |

TERMINATION IMPEDANCE : 50 Ohms  
 TERMINATION AVG. POWER AT 25° C : 1 W per termination  
 3 W total power

**ELECTRICAL CHARACTERISTICS**

ACTUATOR : NORMALLY OPEN  
 NOMINAL CURRENT AT 25° C (\*10%) : 102 mA  
 ACTUATOR VOLTAGE (Vcc) : 28V (24 to 30V) / NEGATIVE COMMON  
 TERMINALS : 25 pins D-SUB male connector

**MECHANICAL CHARACTERISTICS**

CONNECTORS : SMA female per MIL-C 39012  
 LIFE : 2.000.000 cycles per position  
 SWITCHING TIME (nominal voltage;25° C) : < 15 ms  
 CONSTRUCTION : splashproof  
 WEIGHT : < 250 g

**ENVIRONMENTAL CHARACTERISTICS**

OPERATING TEMPERATURE RANGE (°C) : -40 , +85  
 STORAGE TEMPERATURE RANGE (°C) : -55 , +85

(\* : average power at 25° C per RF path)

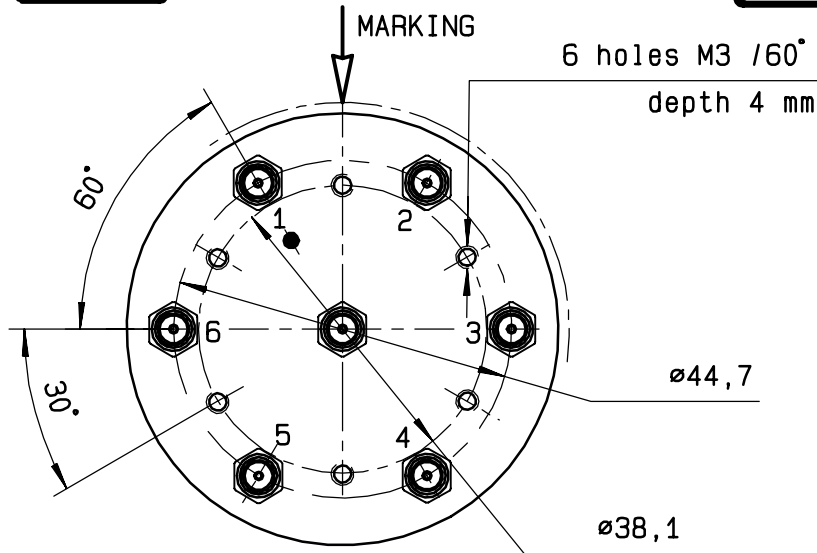
This information is given as an indication. In the continual goal to improve our products, we reserve the right to make any modifications judged necessary

4112-9212

**DRAWING**

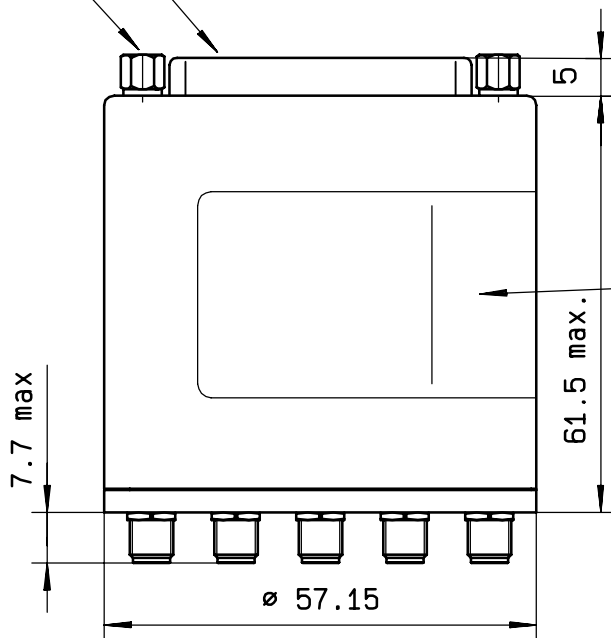
General tolerance: ± 0,5 mm

**R574 403 605**

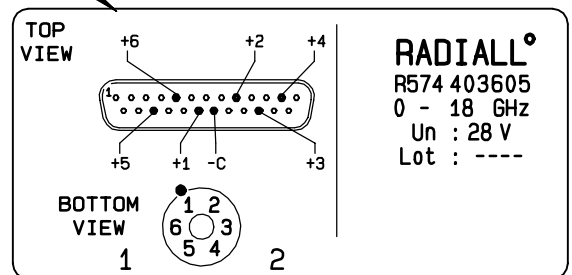


| Voltage | RF continuity |
|---------|---------------|
| -C +1   | IN ↔ 1        |
| -C +2   | IN ↔ 2        |
| -C +3   | IN ↔ 3        |
| -C +4   | IN ↔ 4        |
| -C +5   | IN ↔ 5        |
| -C +6   | IN ↔ 6        |

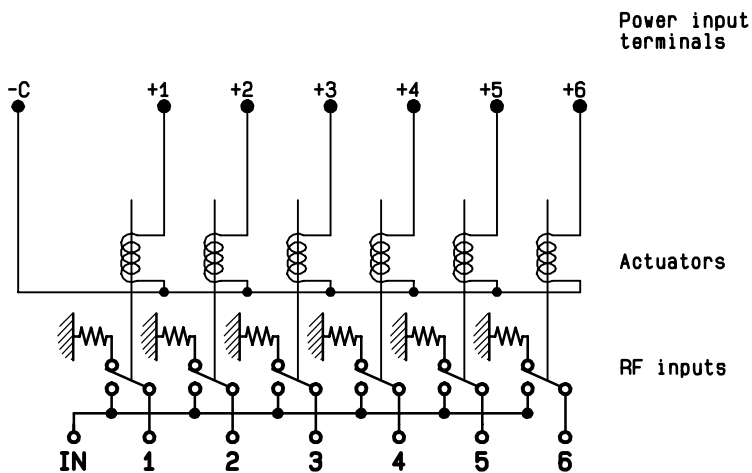
4-40 UNC 25 pins D-SUB male connector



MARKING TOP VIEW (TERMINALS)



**SCHEMATIC DIAGRAM**



4113-9212 This information is given as an indication. In the continual goal to improve our products, we reserve the right to make any modifications judged necessary

# Mouser Electronics

Authorized Distributor

Click to View Pricing, Inventory, Delivery & Lifecycle Information:

[Radial:](#)

[R574403605](#)