

Description : SP5T 3GHz N LATCHING 28V D-SUB SWITCH
 Options : INDICATOR / SELF CUT-OFF / AUTO RESET / SUPP. DIODES

Issue 12.12.12
 Page 1/2

RF CHARACTERISTICS

Number of ways : 5
 Frequency range : 0 - 3 GHz
 Impedance : 50 Ohms

Frequency (GHz)	0 - 3
VSWR max	1.20
Insertion loss max	0.20 dB
Isolation min	80 dB
Average power (*)	400 W

ELECTRICAL CHARACTERISTICS

Actuator : LATCHING
 Nominal current ** : 375 mA
 Actuator voltage (Vcc) : 28V (24 to 30V) / NEGATIVE COMMON
 Terminals : 25 pins D-SUB male connector
 Indicator rating : 1 W / 30 V / 100 mA
 Self cut-off time : 40 ms < CT < 120 ms

MECHANICAL CHARACTERISTICS

Connectors : N female per MIL-C 39012
 Life : 2.000.000 cycles per position
 Switching Time*** : < 40 ms
 Construction : Splashproof
 Weight : < 460 g

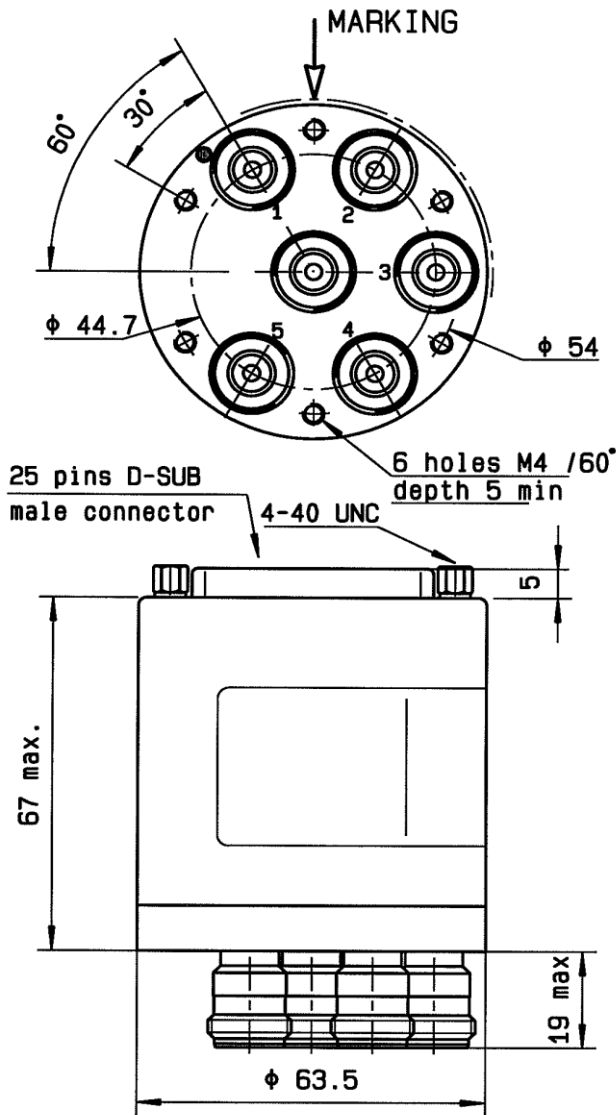
ENVIRONMENTAL CHARACTERISTICS

Operating temperature range : -40°C to +85°C
 Storage temperature range : -55°C to +85°C



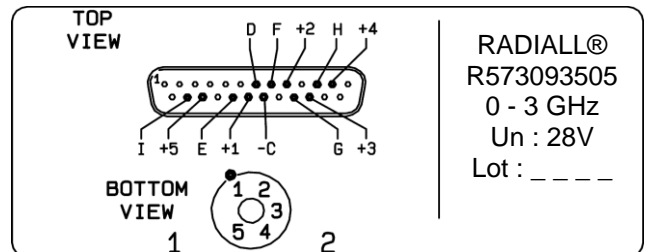
(* Average power at 25°C per RF Path)
 (** At 25° C ±10%)
 (***) Nominal voltage ; 25° C)

DRAWING



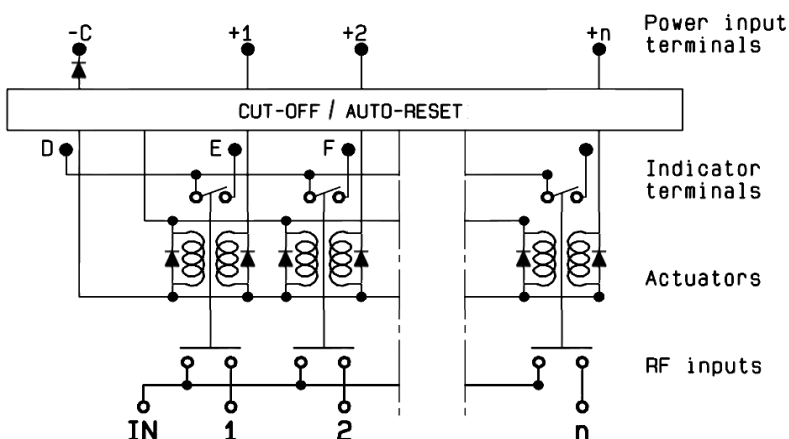
Voltage	RF Continuity	Ind.
-C +1	IN ↔ 1	D.E
-C +2	IN ↔ 2	D.F
-C +3	IN ↔ 3	D.G
-C +4	IN ↔ 4	D.H
-C +5	IN ↔ 5	D.I

LABEL



General tolerances : ±0.5 mm

SCHEMATIC DIAGRAM



This information is given as an indication. In order to improve our products, we reserve the right to make any modifications judged necessary

Mouser Electronics

Authorized Distributor

Click to View Pricing, Inventory, Delivery & Lifecycle Information:

[Radial:](#)

[R573093505](#)