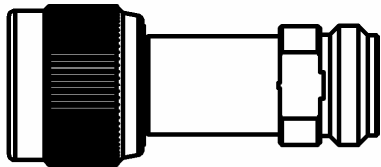
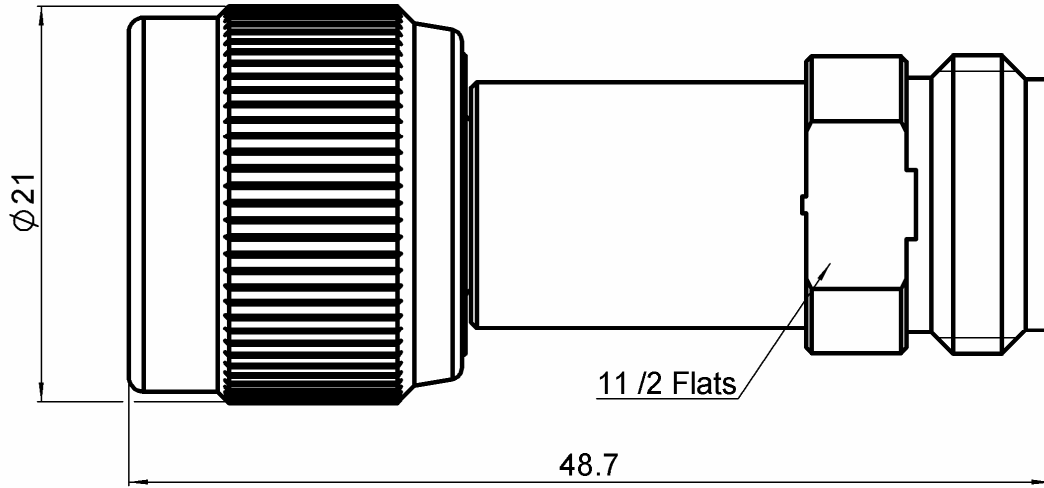
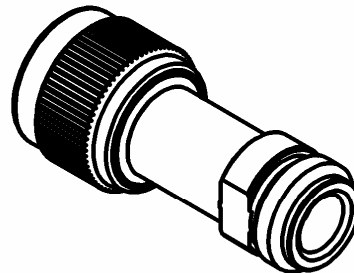


N ATTENUATOR
15 DB 12.4 GHZ 2W

R414.715.000
 Series : ATTENUATOR



SCALE 1/1



All dimensions are in mm.



| COMPONENTS | MATERIALS | PLATING(µm) |
|-----------------------|------------------|------------------------|
| BODY | BRASS | NICKEL 5 |
| MALE CENTER CONTACT | BERYLLIUM COPPER | GOLD 2.5 OVER NICKEL 1 |
| FEMALE CENTER CONTACT | BERYLLIUM COPPER | GOLD 2.5 OVER NICKEL 1 |
| OUTER CONTACT | | |
| INSULATOR | PTFE | |
| GASKET | SILICONE RUBBER | |
| SUBSTRATE | ALUMINA | |
| RESISTOR | THIN FILM | |
| OTHERS PARTS | | |

Issue : 1135 P

In the effort to improve our products, we reserve the right to make changes judged to be necessary.

N ATTENUATOR
15 DB 12.4 GHZ 2W

R414.715.000
 Series : ATTENUATOR

ELECTRICAL CHARACTERISTICS

| | | | |
|-----------------|--------|-------|----------|
| Frequency (GHz) | DC - 4 | 4 - 8 | 8 - 12.4 |
| V.S.W.R (≤) | 1.15 | 1.20 | 1.25 |
| Deviation(±dB) | 0.50 | 0.50 | 0.70 |

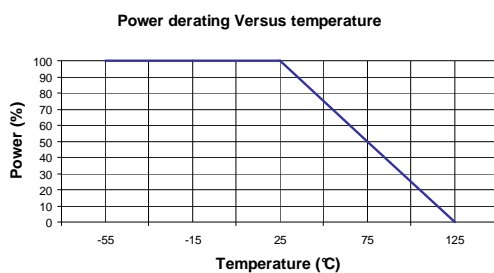
| | | |
|------------------------------|-----------|-----------------------|
| Operating Frequency Range | DC - 12.4 | GHz |
| Impedance | 50 | Ω |
| Nominal Attenuation | 15 | dB |
| Peak power at 25°C (1μs, 1%) | 100 | W |
| Average power at 25°C | 2 | W (Free Air Cooled) |
| | | W (Conduction Cooled) |

MECHANICAL CHARACTERISTICS

| | | | |
|------------|-----------|-------------|-------------|
| Connectors | N | Male Female | MIL-C 39012 |
| Weight | 59,6200 g | | |

ENVIRONMENTAL CHARACTERISTICS

| | |
|-----------------------------|--------------|
| Operating temperature range | -55 /+125 °C |
| Storage temperature range | -55 /+125 °C |



SPECIFICATION

OTHER CHARACTERISTICS

Issue : 1135 P

In the effort to improve our products, we reserve the right to make changes judged to be necessary.



Mouser Electronics

Authorized Distributor

Click to View Pricing, Inventory, Delivery & Lifecycle Information:

[Radial:](#)

[R414715000](#)