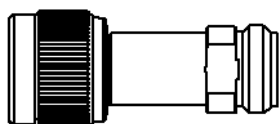
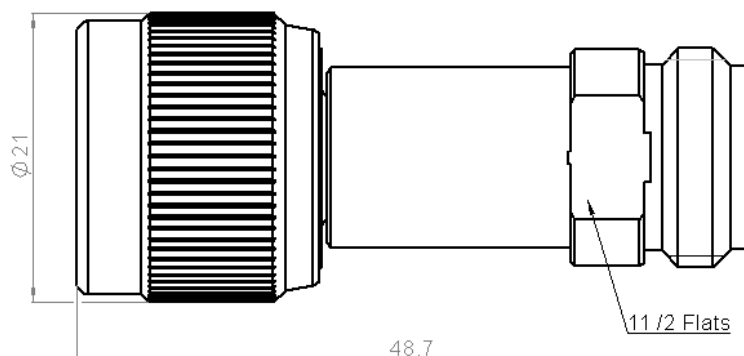
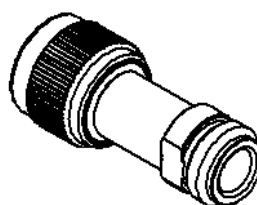


**N ATTENUATOR**  
**11 DB 12.4 GHZ 2W**

**R414.711.000**  
 Series : ATTENUATOR



SCALE 1/1



All dimensions are in mm.

| COMPONENTS            | MATERIALS           | PLATING( $\mu\text{m}$ ) |
|-----------------------|---------------------|--------------------------|
| BODY                  | LAITON              | NICKEL 5                 |
| MALE CENTER CONTACT   | CUPRO BERYLLIUM     | OR 2.5 SUR NICKEL 1      |
| FEMALE CENTER CONTACT | CUPRO BERYLLIUM     | OR 2.5 SUR NICKEL 1      |
| OUTER CONTACT         |                     |                          |
| INSULATOR             | PTFE                |                          |
| GASKET                | ELASTOMERE SILICONE |                          |
| SUBSTRATE             | ALUMINE             |                          |
| RESISTOR              | Couche mince        |                          |
| OTHERS PARTS          |                     |                          |

Issue : 0823 C

In the effort to improve our products, we reserve the right to make changes judged to be necessary.

**N ATTENUATOR**  
**11 DB 12.4 GHZ 2W**

**R414.711.000**  
 Series : ATTENUATOR

**ELECTRICAL CHARACTERISTICS**

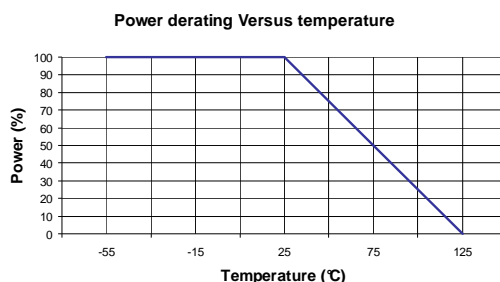
|                              |           |       |          |  |
|------------------------------|-----------|-------|----------|--|
| Frequency (GHz)              | DC - 4    | 4 - 8 | 8 - 12.4 |  |
| V.S.W.R (≤)                  | 1.15      | 1.20  | 1.25     |  |
| Deviation(±dB)               | 0.30      | 0.50  | 0.70     |  |
| Operating Frequency Range    | DC - 12.4 |       |          | GHz  |
| Impedance                    | 50        |       |          | Ω  |
| Nominal Attenuation          | 11        |       |          | dB   |
| Peak power at 25°C (1μs, 1%) | 100       |       |          | W  |
| Average power at 25°C        | 2         |       |          | W (Free Air Cooled)<br>W (Conduction Cooled) |

**MECHANICAL CHARACTERISTICS**

Connectors            N            Male Female    MIL-C 39012  
 Weight                59,6200    g

**ENVIRONMENTAL CHARACTERISTICS**

Operating temperature range            -55 /+125 °C  
 Storage temperature range              -55 /+125 °C



**SPECIFICATION**

**OTHER CHARACTERISTICS**

Issue : 0823 C

In the effort to improve our products, we reserve the right to make changes judged to be necessary.

# Mouser Electronics

Authorized Distributor

Click to View Pricing, Inventory, Delivery & Lifecycle Information:

[Radial:](#)

[R414711000](#)