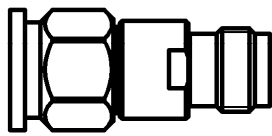
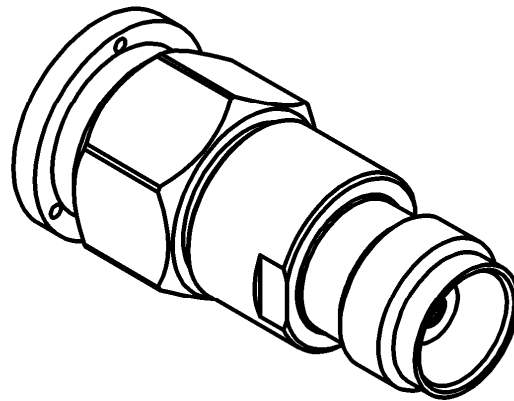


**TNC ATTENUATOR**  
**7 DB 18 GHZ 2W**

**R414.507.161**  
Series : ATTENUATOR



scale 1:1



All dimensions are in mm.



| COMPONENTS            | MATERIALS        | PLATING( $\mu\text{m}$ ) |
|-----------------------|------------------|--------------------------|
| BODY                  | STAINLESS STEEL  | PASSIVATED               |
| MALE CENTER CONTACT   | BERYLLIUM COPPER | GOLD 2.5 OVER NICKEL 2   |
| FEMALE CENTER CONTACT | BERYLLIUM COPPER | GOLD 2.5 OVER NICKEL 2   |
| OUTER CONTACT         |                  |                          |
| INSULATOR             | PTFE             |                          |
| GASKET                | SILICONE RUBBER  |                          |
| SUBSTRATE             | ALUMINA          |                          |
| RESISTOR              | THIN FILM        |                          |
| OTHERS PARTS          |                  |                          |

Issue : 0839 A

In the effort to improve our products, we reserve the right to make changes judged to be necessary.

**TNC ATTENUATOR**  
**7 DB 18 GHZ 2W**

**R414.507.161**  
 Series : ATTENUATOR

**ELECTRICAL CHARACTERISTICS**

|                      |        |       |          |           |
|----------------------|--------|-------|----------|-----------|
| Frequency (GHz)      | DC - 4 | 4 - 8 | 8 - 12.4 | 12.4 - 18 |
| V.S.W.R ( $\leq$ )   | 1.15   | 1.20  | 1.25     | 1.35      |
| Deviation( $\pm$ dB) | 0.50   | 0.50  | 0.50     | 0.50      |

|                                    |         |                       |
|------------------------------------|---------|-----------------------|
| Operating Frequency Range          | DC - 18 | GHz                   |
| Impedance                          | 50      | $\Omega$              |
| Nominal Attenuation                | 7       | dB                    |
| Peak power at 25°C (1 $\mu$ s, 1%) | 100     | W                     |
| Average power at 25°C              | 2       | W (Free Air Cooled)   |
|                                    |         | W (Conduction Cooled) |

**MECHANICAL CHARACTERISTICS**

|            |           |             |             |
|------------|-----------|-------------|-------------|
| Connectors | TNC       | Male Female | MIL-C 39012 |
| Weight     | 19,1900 g |             |             |

**ENVIRONMENTAL CHARACTERISTICS**

|                             |              |
|-----------------------------|--------------|
| Operating temperature range | -55 /+125 °C |
| Storage temperature range   | -55 /+125 °C |



**SPECIFICATION**

**OTHER CHARACTERISTICS**

Issue : 0839 A

In the effort to improve our products, we reserve the right to make changes judged to be necessary.

**RADIAL** 

# Mouser Electronics

Authorized Distributor

Click to View Pricing, Inventory, Delivery & Lifecycle Information:

[Radial:](#)

[R414507161](#)