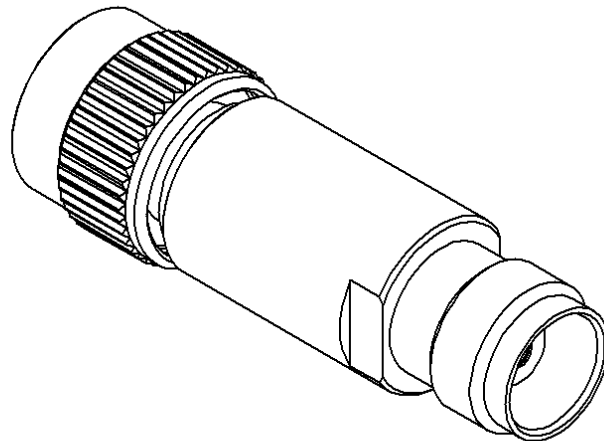


**TNC ATTENUATOR**  
**2 DB 2 GHZ 2W**

**R412.502.000**

Series : ATTENUATOR



SCALE 1/1

All dimensions are in mm.



| COMPONENTS            | MATERIALS        | PLATING(µm)                |
|-----------------------|------------------|----------------------------|
| BODY                  | BRASS            | NICKEL 5                   |
| MALE CENTER CONTACT   | BERYLLIUM COPPER | GOLD 2.5 OVER NICKEL 1     |
| FEMALE CENTER CONTACT | BERYLLIUM COPPER | GOLD 2.54 OVER NICKEL 1.27 |
| OUTER CONTACT         |                  |                            |
| INSULATOR             | PTFE             |                            |
| GASKET                | SILICONE RUBBER  |                            |
| SUBSTRATE             | ALUMINA          |                            |
| RESISTOR              | THIN FILM        |                            |
| OTHERS PARTS          |                  |                            |

Issue : 0835 B

In the effort to improve our products, we reserve the right to make changes judged to be necessary.



**TNC ATTENUATOR**  
**2 DB 2 GHZ 2W**

**R412.502.000**

Series : ATTENUATOR

**ELECTRICAL CHARACTERISTICS**

|                 |        |
|-----------------|--------|
| Frequency (GHz) | DC - 2 |
| V.S.W.R (≤)     | 1.15   |
| Deviation(±dB)  | 0.35   |

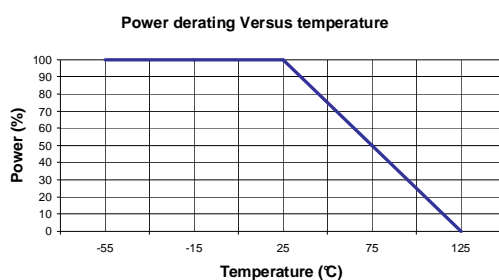
|                              |        |                       |
|------------------------------|--------|-----------------------|
| Operating Frequency Range    | DC - 2 | GHz                   |
| Impedance                    | 50     | Ω                     |
| Nominal Attenuation          | 2      | dB                    |
| Peak power at 25°C (1μs, 1%) | 100    | W                     |
| Average power at 25°C        | 2      | W (Free Air Cooled)   |
|                              |        | W (Conduction Cooled) |

**MECHANICAL CHARACTERISTICS**

|            |           |             |             |
|------------|-----------|-------------|-------------|
| Connectors | TNC       | Male Female | MIL-C 39012 |
| Weight     | 31,8150 g |             |             |

**ENVIRONMENTAL CHARACTERISTICS**

|                             |              |
|-----------------------------|--------------|
| Operating temperature range | -55 /+125 °C |
| Storage temperature range   | -55 /+125 °C |

**SPECIFICATION****OTHER CHARACTERISTICS**

Issue : 0835 B

In the effort to improve our products, we reserve the right to make changes judged to be necessary.

**RADIALL** 

# Mouser Electronics

Authorized Distributor

Click to View Pricing, Inventory, Delivery & Lifecycle Information:

[Radial:](#)

[R412502000](#)