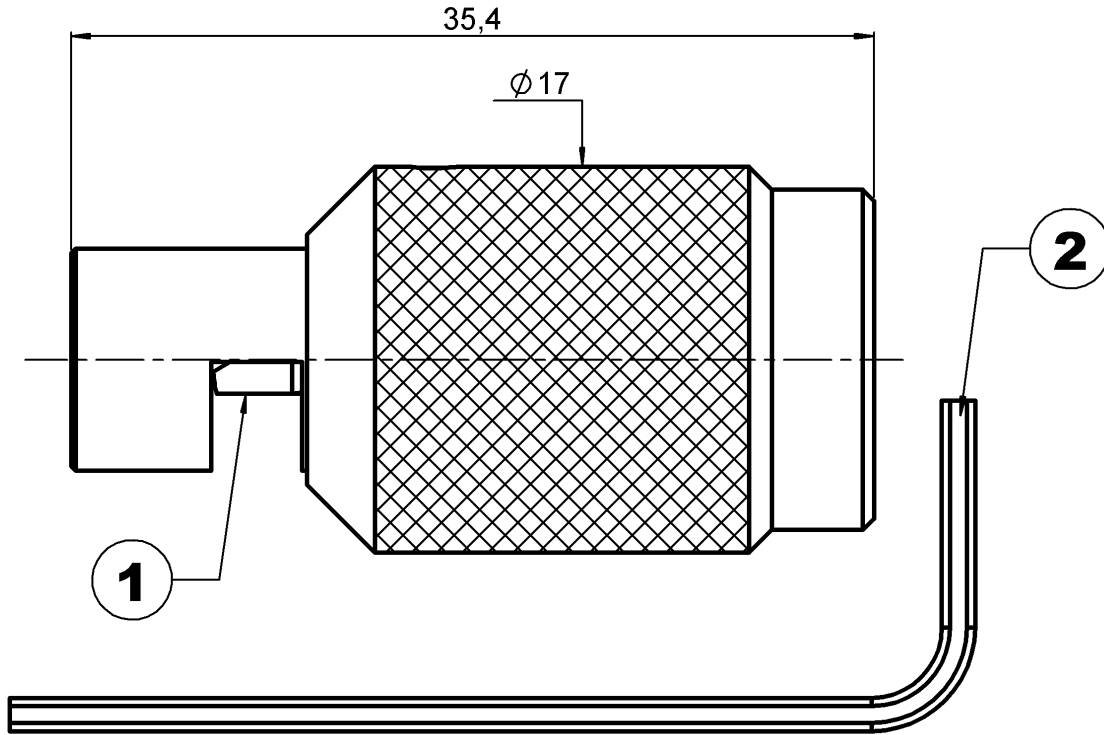
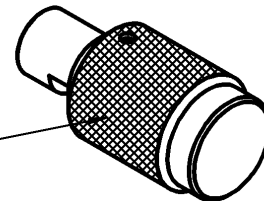


POINTER GAUGE
CABLE .141 MICROP - STRIPPING 2.17

R282.067.030
 Series : OUT



Couleur bleue
 (Blue color)

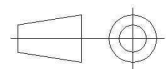


Scale 1/1

N°	PART NUMBER	DESIGNATION
1	R282.056 118	Replacement stripping blade
2	R282.344.127	1.3mm across flats male hex key

NOTE :

- For use, see instructions N° 501 70 193 (included with the pointer gauge)



Issue : 0745 A

In the effort to improve our products, we reserve the right to make changes judged to be necessary.



Mouser Electronics

Authorized Distributor

Click to View Pricing, Inventory, Delivery & Lifecycle Information:

[Radial:](#)

[R282067030](#)