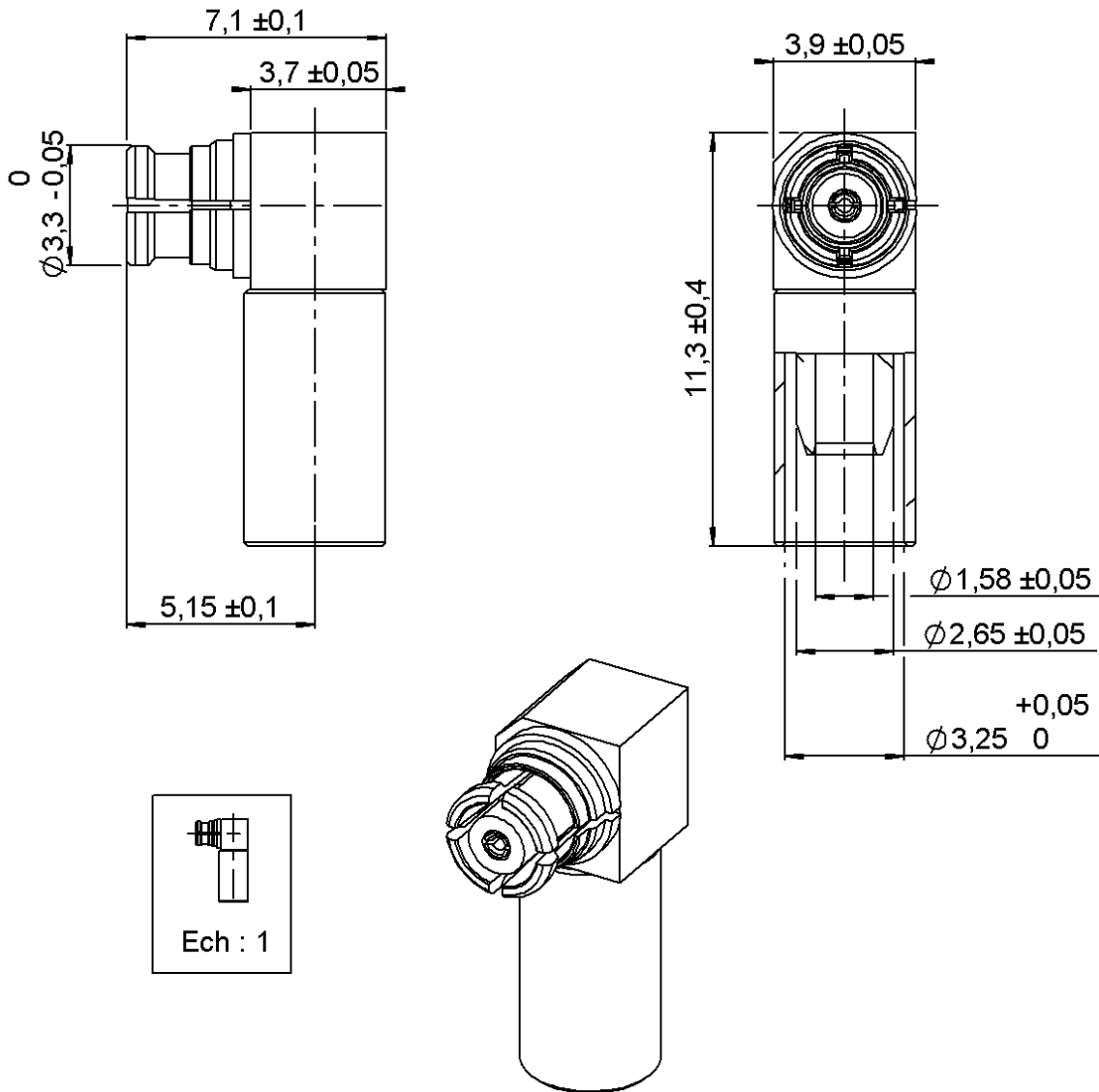


RIGHT ANGLE PLUG CRIMP TYPE

R222.900.300

CABLE 2.6/50 S

Series : SMP-COM



All dimensions are in mm.



COMPONENTS	MATERIALS	PLATING (µm)
BODY	BRASS	NPGR
CENTER CONTACT	BERYLLIUM COPPER	NPGR
OUTER CONTACT	BERYLLIUM COPPER	NPGR
INSULATOR	PTFE	
GASKET	-	
OTHERS PARTS	BRASS	GOLD 0.2 OVER NICKEL 2
-	-	-
-	-	-

Issue : 0648 A

In the effort to improve our products, we reserve the right to make changes judged to be necessary.



RIGHT ANGLE PLUG CRIMP TYPE

R222.900.300

CABLE 2.6/50 S

Series : SMP-COM

PACKAGING

Standard	Unit	Other
100	'W' option	Contact us

SPECIFICATION

QS9000 A 00

ELECTRICAL CHARACTERISTICS

Impedance	50	Ω
Frequency	0-12.4*	GHz
VSWR	1.25** + 0,0000	x F(GHz) Maxi
Insertion loss	0.12	\sqrt{F} (GHz) dB Maxi
RF leakage	- (55***	- F(GHz)) dB Maxi
Voltage rating	250	Veff Maxi
Dielectric withstanding voltage	750	Veff mini
Insulation resistance	5000	M Ω mini

CABLE ASSEMBLY

Stripping	a	b	c	d	e	f
mm	1,40	5,00	7,90	0,00	6,50	0,00

Assembly instruction : **Crimp 05**

Recommended cable(s)
 RG 188
 RG 316
 KX 22A
 ECO 316

Characteristics indicated on this data sheet are those that can be achieved with the highest performance cable. Intrinsic limitations of the cable may diminish the performance of the assembly

Cable retention

- pull off **58** N mini
 - torque **NA** N.cm

MECHANICAL CHARACTERISTICS

Center contact retention		
Axial force – Mating end	6.8	N mini
Axial force – Opposite end	6.8	N mini
Torque	NA	N.cm mini

TOOLING

Part Number	Description	Hexagon
.	.	.
R282.211.000	CRIMPING TOOL	3.25
R282.235.003	CRIMPING DIES	3.25
R282.293.000	CRIMPING TOOL	-

Recommended torque		
Mating		N.cm
Panel nut		N.cm
Clamp nut		N.cm
A/F clamp nut	0,0000	mm

Mating life	100	Cycles mini
Weight	0,8400	g

OTHER CHARACTERISTICS

*ROS 1.7 at 12.4GHz
 ** ROS at 6GHz
 ***RF Leakage : -40dB min 3<F<6GHz

ENVIRONMENTAL

Operating temperature	-55/+125	$^{\circ}$ C
Hermetic seal		Atm.cm3/s
Panel leakage		

Issue : 0648 A

In the effort to improve our products, we reserve the right to make changes judged to be necessary.



Mouser Electronics

Authorized Distributor

Click to View Pricing, Inventory, Delivery & Lifecycle Information:

[Radial:](#)

[R222900300](#)