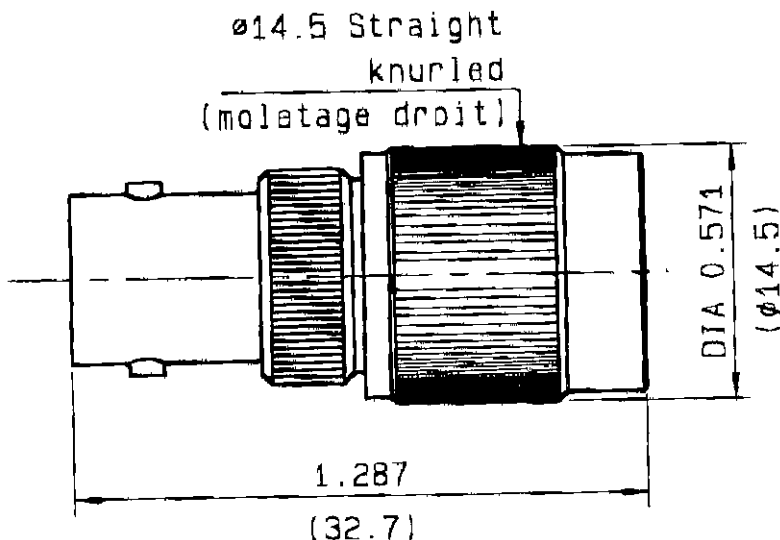


BNC FEMALE - TNC MALE PUSH-ON STRAIGHT ADAPTER

R191.405.500
SERIES ADAPT



NOMINAL IMPEDANCE	50 Ω
FREQUENCY RANGE	0-4 GHz
TEMPERATURE RATING	-65/+165 °C
V.S.W.R	1.08 + .025 x F(GHz)Max1
RF INSERTION LOSS	0.04 \sqrt{F} (GHz) dB Max1
VOLTAGE RATING	500 Veff Max1
DIELECTRIC WITHSTANDING VOLTAGE	1500 Veff Min1
INSULATION RESISTANCE	5000 M Ω Min1
HERMETIC SEAL	NA Atm.cm ³ /s
LEAKAGE (pressurized only)	NA
MECHANICAL DURABILITY	500 Cycles
WEIGHT	0 Oz
SPECIFICATION	

CABLES :

OTHERS CHARACTERISTICS

CABLE RETENTION	0 lb Min1
CENTER CONTACT RETENTION	
Axial force - mating end	6.06 lb Min1
Axial force - opposite end	6.06 lb Min1
Torque	NA Inch.oz
RECOMMENDED TORQUES	
Mating	NA Inch.lb
Panel nut	NA Inch.lb
Clamp nut	NA Inch.lb

CONNECTOR PARTS

MATERIALS

FINISH

(all values are given in micropinch)

BODY	BRASS
OUTER CONTACT	BRASS
CENTER CONTACT	BERYLLIUM COPPER
INSULATOR	PTFE
GASKET	
OTHERS PIECES	BRASS

NICKEL 80
NICKEL 80
GOLD 20 OVER NICKEL 80
-
-
NICKEL 80

MASTRIAND

ISSUE	CREATION DATE	FILE PART-NUMBER
0205A00	01-MAR-95	95-0400-053



RADIALL

The information given here is subject to change without notice. Design changes may be in order to improve the product.

Connect to the future

Mouser Electronics

Authorized Distributor

Click to View Pricing, Inventory, Delivery & Lifecycle Information:

Radial:

[R191405500](#)