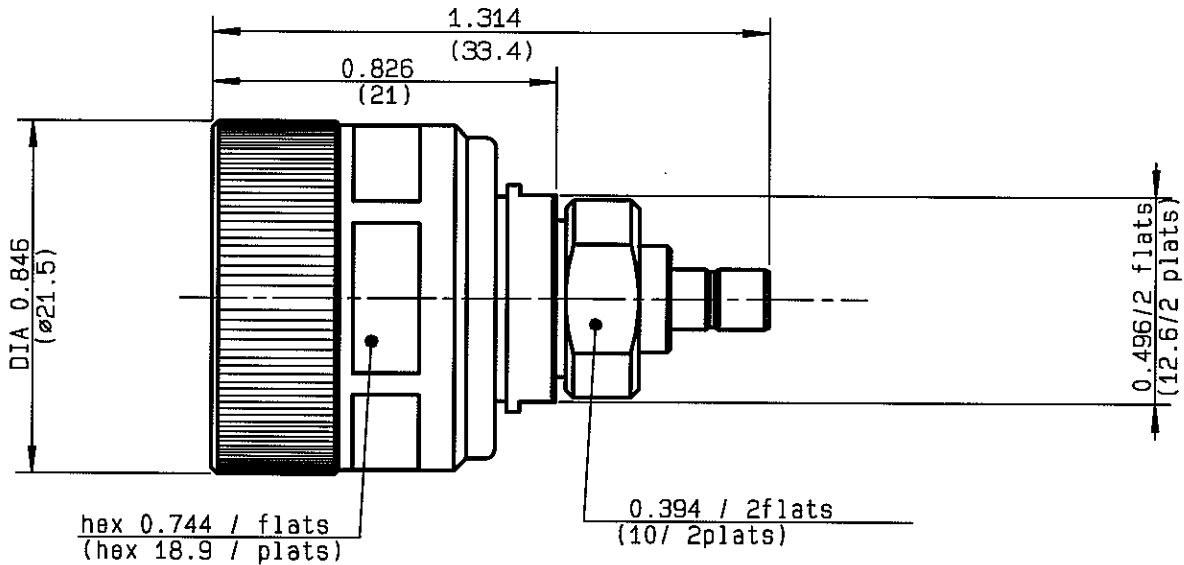


**PC7 - SMB MALE STRAIGHT ADAPTER**

**R191.005.000**  
**SERIES ADAPT**



|                                 |                                  |
|---------------------------------|----------------------------------|
| NOMINAL IMPEDANCE               | <b>50</b> Ω                      |
| FREQUENCY RANGE                 | <b>0-4</b> GHz                   |
| TEMPERATURE RATING              | <b>+13/+33</b> °C                |
| V.S.W.R                         | <b>1.05 + .01</b> x F(GHz)Maxi   |
| RF INSERTION LOSS               | <b>0.250</b> √F(GHz) dB Maxi     |
| VOLTAGE RATING                  | <b>500</b> Veff Maxi             |
| DIELECTRIC WITHSTANDING VOLTAGE | <b>1000</b> Veff Mini            |
| INSULATION RESISTANCE           | <b>5000</b> MΩMini               |
| HERMETIC SEAL                   | <b>NA</b> Atm.cm <sup>3</sup> /s |
| LEAKAGE (pressurized only)      | <b>NA</b>                        |
| MECHANICAL DURABILITY           | <b>500</b> Cycles                |
| WEIGHT                          | <b>0</b> gr                      |
| SPECIFICATION                   |                                  |

CABLES :

OTHERS CHARACTERISTICS

|                            |                    |
|----------------------------|--------------------|
| CABLE RETENTION            | N Mini             |
| CENTER CONTACT RETENTION   |                    |
| Axial force - mating end   | <b>27</b> N Mini   |
| Axial force - opposite end | <b>27</b> N Mini   |
| Torque                     | <b>3</b> cm.N Mini |
| RECOMMENDED TORQUES        |                    |
| Mating                     | <b>NA</b> cm.N     |
| Panel nut                  | <b>NA</b> cm.N     |
| Clamp nut                  | <b>NA</b> cm.N     |

| CONNECTOR PARTS | MATERIALS        | FINISH                 | (all values are given in micrometers) |
|-----------------|------------------|------------------------|---------------------------------------|
| BODY            | STAINLESS STEEL  | GOLD 1.3 OVER NICKEL 2 |                                       |
| OUTER CONTACT   | -                |                        |                                       |
| CENTER CONTACT  | BERYLLIUM COPPER | GOLD 1.3 OVER NICKEL 2 |                                       |
| INSULATOR       | PTFE, ULTEM      | -                      |                                       |
| GASKET          | -                | -                      |                                       |
| OTHERS PIECES   | BRASS            | NICKEL 2               |                                       |

TRIPIER

|                |                   |                    |
|----------------|-------------------|--------------------|
| ISSUE          | CREATION DATE     | FILE PART-NUMBER   |
| <b>0243J00</b> | <b>04/05/1970</b> | <b>DM-9705-028</b> |



**RADIALL®**

The information given here is subject to change without notice. Design changes may be in order to improve the product.

*Connect to the future*

# Mouser Electronics

Authorized Distributor

Click to View Pricing, Inventory, Delivery & Lifecycle Information:

[Radial:](#)

[R191005000](#)